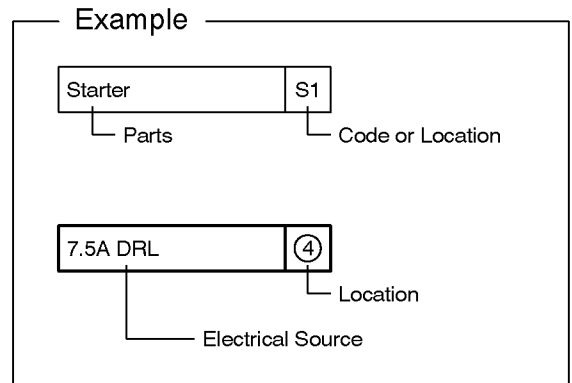


*1 : w/o Daytime Running Light
 *2 : w/ Daytime Running Light

15A ACC	①
7.5A STA	
10A GAUGE	
20A 4WD	
15A ECU-IG	
20A WIPER	
10A TURN	



10A A.C	②
---------	---

7.5A IGN	①
----------	---

J POWER SOURCE (Current Flow Chart)

R/B No.2 (See Page 21)

Fuse		System	Page
7.5A	ALT-S	Charging	68
7.5A	DRL	Headlight (w/ Daytime Running Light)	104
7.5A	OBD	Engine Control (2RZ-FE)	94
		Engine Control (3RZ-FE)	86
		Engine Control (5VZ-FE except 2WD M/T)	70
		Engine Control (5VZ-FE 2WD M/T)	78
10A	A.C	Air Conditioning	220
10A	HEAD (HI LH)	Headlight (w/ Daytime Running Light)	104
10A	HEAD (HI RH)	Headlight (w/ Daytime Running Light)	104
10A	HEAD (LH)	Headlight (w/o Daytime Running Light)	102
10A	HEAD (LO LH)	Headlight (w/ Daytime Running Light)	104
10A	HEAD (LO RH)	Headlight (w/ Daytime Running Light)	104
10A	HEAD (RH)	Headlight (w/o Daytime Running Light)	102
10A	TAIL	Cigarette Lighter and Clock	200
		Combination Meter (w/ Tachometer)	208
		Combination Meter (w/o Tachometer)	214
		Engine Control (2RZ-FE)	94
		Engine Control (3RZ-FE)	86
		Taillight and Illumination	110
15A	DOME	Cigarette Lighter and Clock	200
		Combination Meter (w/ Tachometer)	208
		Door Lock Control	178
		Interior Light	108
		Key Reminder and Seat Belt Warning	196
		Light Auto Turn Off	120
		Power Window	182
		Radio and Player	204
15A	PWR OUTLET	Power Outlet	198
20A	EFI	Automatic Transmission (2RZ-FE)	134
		Electronically Controlled Transmission (3RZ-FE)	128
		Electronically Controlled Transmission (5VZ-FE)	122
		Engine Control (2RZ-FE)	94
		Engine Control (3RZ-FE)	86
		Engine Control (5VZ-FE except 2WD M/T)	70
30A	AM2	Engine Control (5VZ-FE 2WD M/T)	78
		Engine Control (2RZ-FE)	94
		Engine Control (3RZ-FE)	86
		Engine Control (5VZ-FE except 2WD M/T)	70
		Engine Control (5VZ-FE 2WD M/T)	78
		Ignition (3RZ-FE, 2RZ-FE)	66
Starting and Ignition (5VZ-FE)	58		

* These are the page numbers of the first page on which the related system is shown.

Fuse		System	Page
40A	AM1	Engine Control (2RZ-FE)	94
		Engine Control (3RZ-FE)	86
		Engine Control (5VZ-FE except 2WD M/T)	70
		Engine Control (5VZ-FE 2WD M/T)	78
		Starting and Ignition (5VZ-FE)	58
		Starting (3RZ-FE, 2RZ-FE)	62
50A	HEATER	Air Conditioning	220
60A	ABS	ABS	150
120A	ALT	Charging	68
		Engine Control (2RZ-FE)	94
		Engine Control (3RZ-FE)	86
		Engine Control (5VZ-FE except 2WD M/T)	70
		Engine Control (5VZ-FE 2WD M/T)	78
		Light Auto Turn Off	120
		Power Outlet	198
		Starting and Ignition (5VZ-FE)	58
		Taillight and Illumination	110

J/B No.1 (See Page 22)

Fuse		System	Page
7.5A	ECU-B	Air Conditioning	220
		Headlight (w/ Daytime Running Light)	104
7.5A	IGN	Automatic Transmission (2RZ-FE)	134
		Charging	68
		Combination Meter (w/ Tachometer)	208
		Combination Meter (w/o Tachometer)	214
		Electronically Controlled Transmission (3RZ-FE)	128
		Electronically Controlled Transmission (5VZ-FE)	122
		Engine Control (2RZ-FE)	94
		Engine Control (3RZ-FE)	86
		Engine Control (5VZ-FE except 2WD M/T)	70
		Engine Control (5VZ-FE 2WD M/T)	78
7.5A	STA	SRS	157
		Automatic Transmission (2RZ-FE)	134
		Electronically Controlled Transmission (3RZ-FE)	128
		Electronically Controlled Transmission (5VZ-FE)	122
		Engine Control (2RZ-FE)	94
		Engine Control (3RZ-FE)	86
		Engine Control (5VZ-FE except 2WD M/T)	70
		Engine Control (5VZ-FE 2WD M/T)	78
10A	GAUGE	Starting and Ignition (5VZ-FE)	58
		Starting (3RZ-FE, 2RZ-FE)	62
10A	GAUGE	ABS	150
		Air Conditioning	220

* These are the page numbers of the first page on which the related system is shown.

J POWER SOURCE (Current Flow Chart)

Fuse		System	Page
10A	GAUGE	Automatic Transmission (2RZ-FE)	134
		Back-Up Light	118
		Charging	68
		Combination Meter (w/ Tachometer)	208
		Combination Meter (w/o Tachometer)	214
		Cruise Control (except 5VZ-FE 2WD M/T,3RZ-FE and 2RZ-FE)	138
		Cruise Control (5VZ-FE 2WD M/T,3RZ-FE and 2RZ-FE)	144
		Electronically Controlled Transmission (3RZ-FE)	128
		Electronically Controlled Transmission (5VZ-FE)	122
		Engine Control (2RZ-FE)	94
		Engine Control (3RZ-FE)	86
		Engine Control (5VZ-FE except 2WD M/T)	70
		Engine Control (5VZ-FE 2WD M/T)	78
		Headlight (w/ Daytime Running Light)	104
		Key Reminder and Seat Belt Warning	196
		Rear Differential Lock	172
		SRS	157
		Starting and Ignition (5VZ-FE)	58
		Starting (3RZ-FE, 2RZ-FE)	62
		4WD (w/ 2-4 Select SW)	162
4WD (w/o 2-4 Select SW)	168		
10A	STOP	ABS	150
		Automatic Transmission (2RZ-FE)	134
		Cruise Control (except 5VZ-FE 2WD M/T,3RZ-FE and 2RZ-FE)	138
		Cruise Control (5VZ-FE 2WD M/T,3RZ-FE and 2RZ-FE)	144
		Electronically Controlled Transmission (3RZ-FE)	128
		Electronically Controlled Transmission (5VZ-FE)	122
		Engine Control (2RZ-FE)	94
		Engine Control (3RZ-FE)	86
		Engine Control (5VZ-FE except 2WD M/T)	70
		Engine Control (5VZ-FE 2WD M/T)	78
		Shift Lock	176
Stop Light	116		
10A	TURN	Turn Signal and Hazard Warning Light	114
15A	ACC	Cigarette Lighter and Clock	200
		Key Reminder and Seat Belt Warning	196
		Power Outlet	198
		Radio and Player	204
		Remote Control Mirror (w/ Power Window)	188
		Remote Control Mirror (w/o Power Window)	190
		Shift Lock	176
15A	ECU-IG	ABS	150
		Automatic Transmission (2RZ-FE)	134
		Cruise Control (except 5VZ-FE 2WD M/T,3RZ-FE and 2RZ-FE)	138

* These are the page numbers of the first page on which the related system is shown.

Fuse		System	Page
15A	ECU-IG	Cruise Control (5VZ-FE 2WD M/T,3RZ-FE and 2RZ-FE)	144
		Door Lock Control	178
		Interior Light	108
		Key Reminder and Seat Belt Warning	196
		Light Auto Turn Off	120
		Power Window	182
		Shift Lock	176
		SRS	157
15A	HORN.HAZ	Horn	154
		Turn Signal and Hazard Warning Light	114
20A	WIPER	Wiper and Washer (w/ Int time SW Mechanism)	192
		Wiper and Washer (w/o Int time SW Mechanism)	194
20A	4WD	Rear Differential Lock	172
		4WD (w/ 2-4 Select SW)	162
		4WD (w/o 2-4 Select SW)	168
30A	POWER	Door Lock Control	178
		Power Seat	202
		Power Window	182

* These are the page numbers of the first page on which the related system is shown.