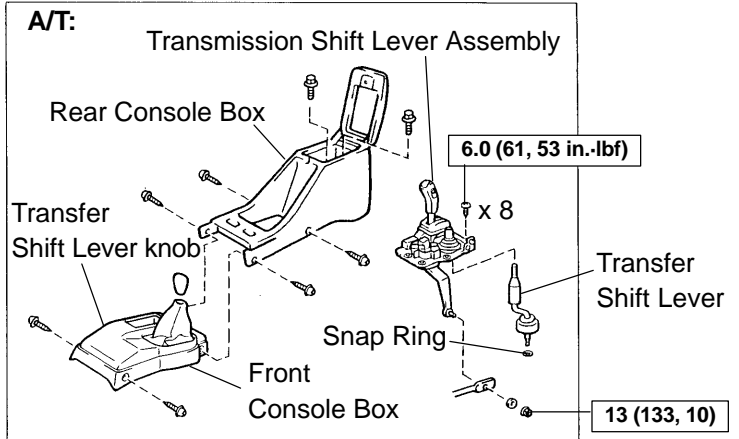


# TRANSFER UNIT COMPONENTS

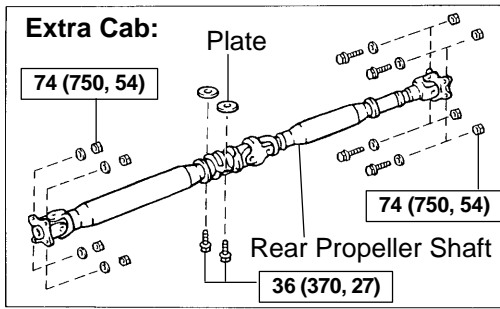
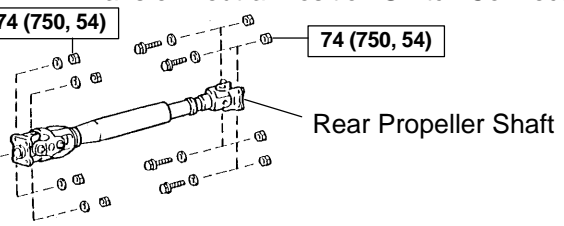
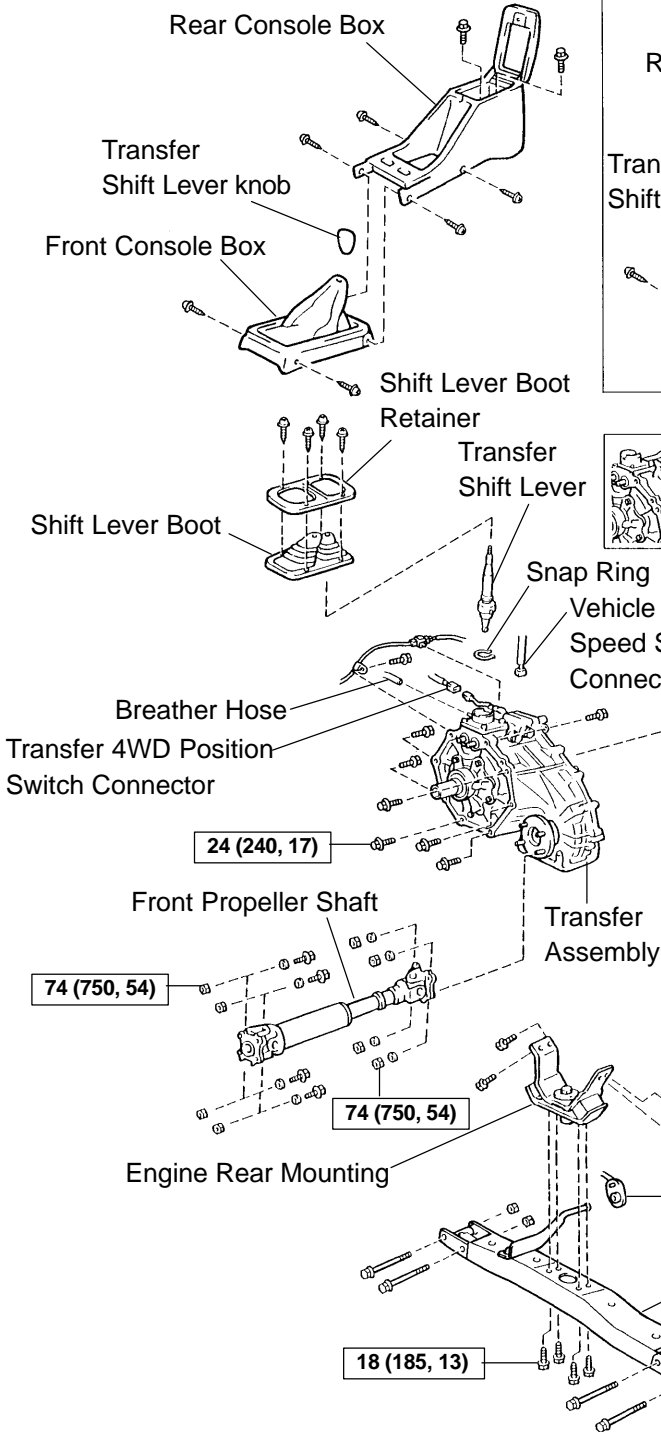
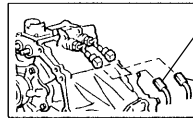
TR00X-01

3RZ-FE M/T:  
5VZ-FE M/T, A/T  
(w/o One Touch 2-4 Selector System):



**M/T (w/ Diff. Lock, or/and ABS) and A/T:** Transfer L4 Position Switch Connector

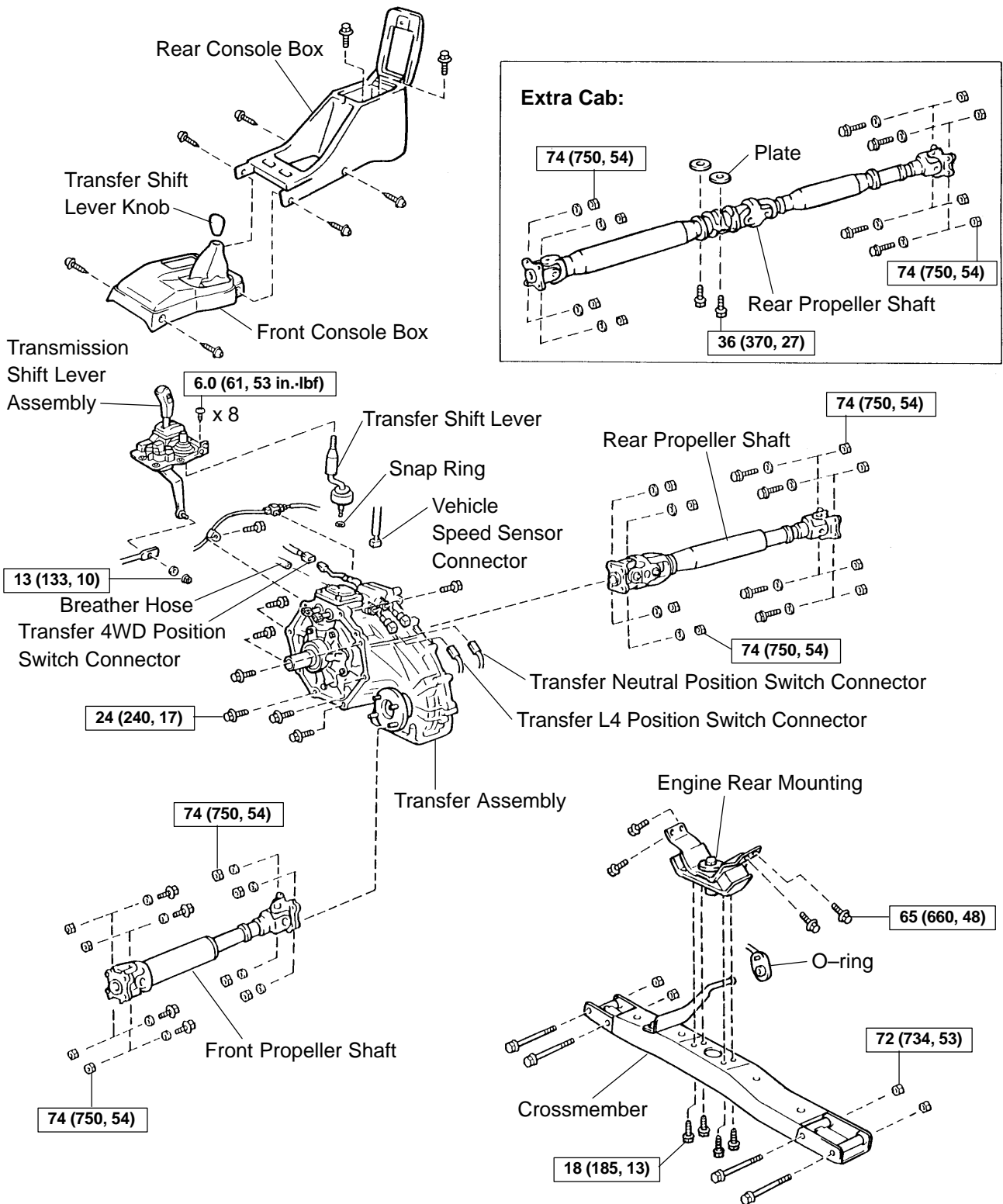
**A/T:** Transfer Neutral Position Switch Connector



N·m (kgf·cm, ft·lbf) : Specified torque

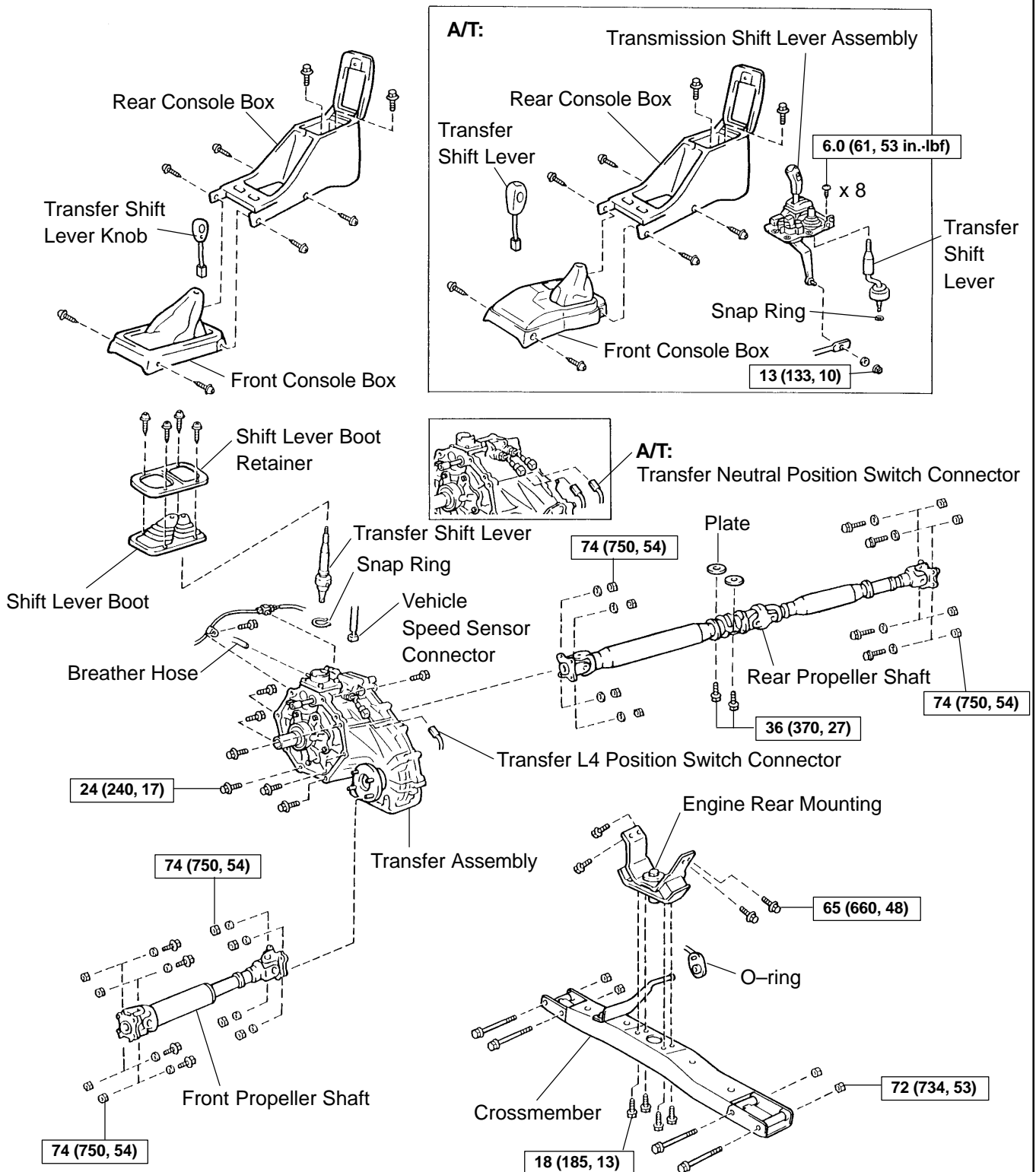
F01885

3RZ-FE A/T:



N·m (kgf·cm, ft·lbf) : Specified torque

5VZ-FE M/T, A/T  
(w/ One Touch 2-4 Selector System):



N·m (kgf·cm, ft·lbf) : Specified torque

F01887