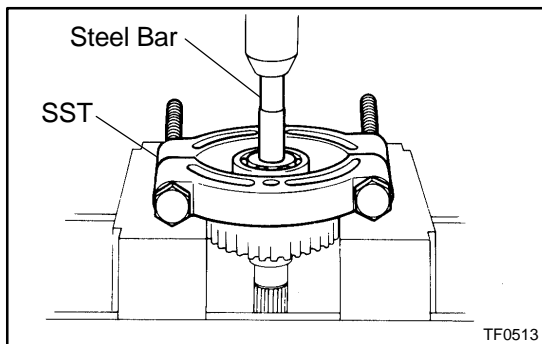


TF0512

## REPLACEMENT

### 1. REMOVE FRONT BEARING

Using a press, remove the front bearing.

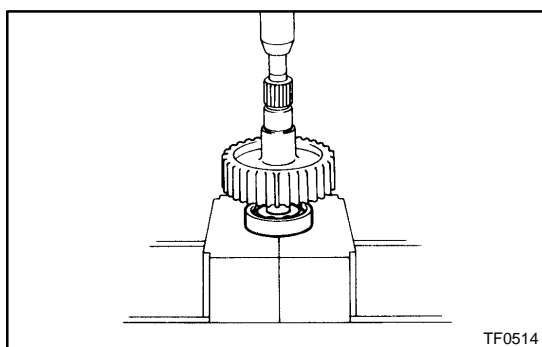


TF0513

### 2. REMOVE REAR BEARING

Using SST and a press, remove the rear bearing.

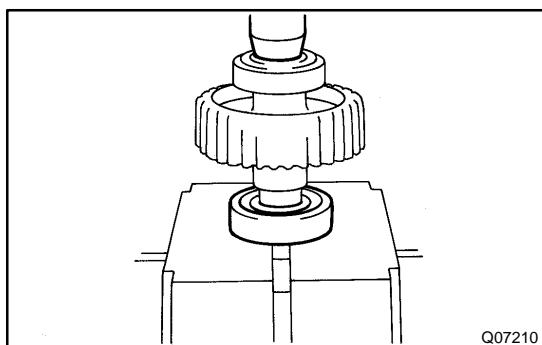
SST 09555-55010



TF0514

### 3. INSTALL REAR BEARING

Using a press, install a new rear bearing.



Q07210

### 4. INSTALL FRONT BEARING

Using a press, install a new front bearing.