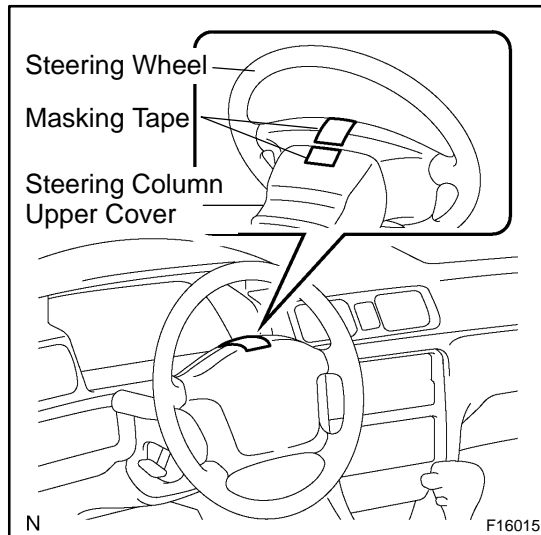


REPAIR PROCEDURES

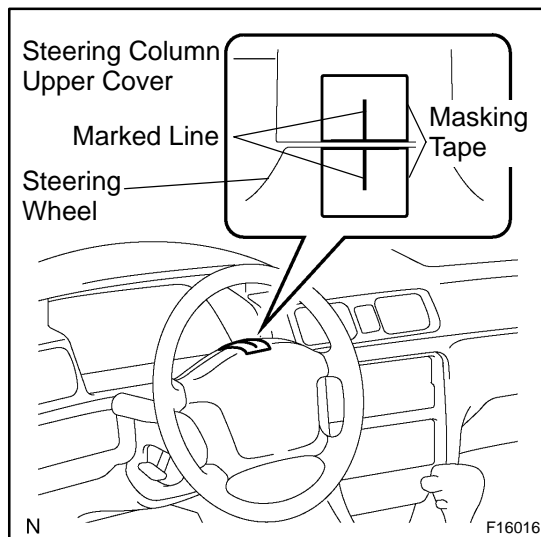
HINT:

This is the repair procedure for steering off center.

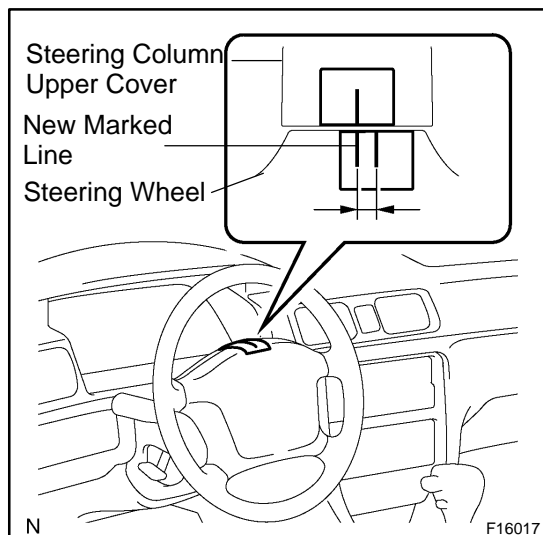


1. INSPECT STEERING WHEEL OFF CENTER

- (a) Apply masking tape on the top center of the steering wheel and steering column upper cover.



- (b) Drive the vehicle in a straight line for 100 meters at a constant speed of 35 mph (56 km/h), and hold the steering wheel to maintain the course.
- (c) Draw a line on the masking tape as shown in the illustration.



(d) Turn the steering wheel to its straight position.

HINT:

Refer to the upper surface of the steering wheel, steering spoke and SRS airbag line for the straight position.

(e) Draw a new line on the masking tape of the steering wheel as shown in the illustration.

(f) Measure the distance between the 2 lines on the masking tape of the steering wheel.

(g) Convert the measured distance to steering angle.

Measured distance 1 mm (0.04 in.) = Steering angle approximately 1 deg.

HINT:

Make a note of the steering angle.

2. ADJUST STEERING ANGLE

(a) Lift up the vehicle.

NOTICE:

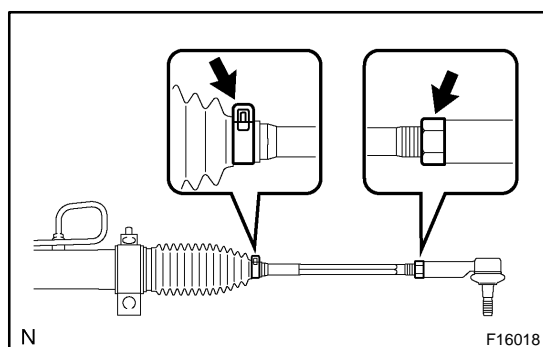
The adjustment method for steering angle is different depending on the models. Check whether it is type A or B.

(b) Draw a line on the RH and LH tie rod and rack ends where it can easily be seen.

(c) Using a paper gauge, measure the distance from RH and LH tie rod ends to the rack end screws.

HINT:

- Measure the RH side and LH side.
- Make a note of the measured values.



(d) Remove the RH and LH boot clips from the rack boots.

(e) Loosen the RH and LH lock nuts.

(f) Turn the RH and LH rack end by the same amount (but in different directions) according to the steering angle.

1 turn 360 deg. of rack end (1.5 mm (0.059 in.) horizontal movement) = 12 deg. of steering angle

(g) Tighten the RH and LH lock nuts by the specified torque.

NOTICE:

Make sure that the difference in length between RH and LH tie rod ends and rack end screws are within 1.5 mm (0.059 in.).

(h) Install the RH and LH boot clips.