

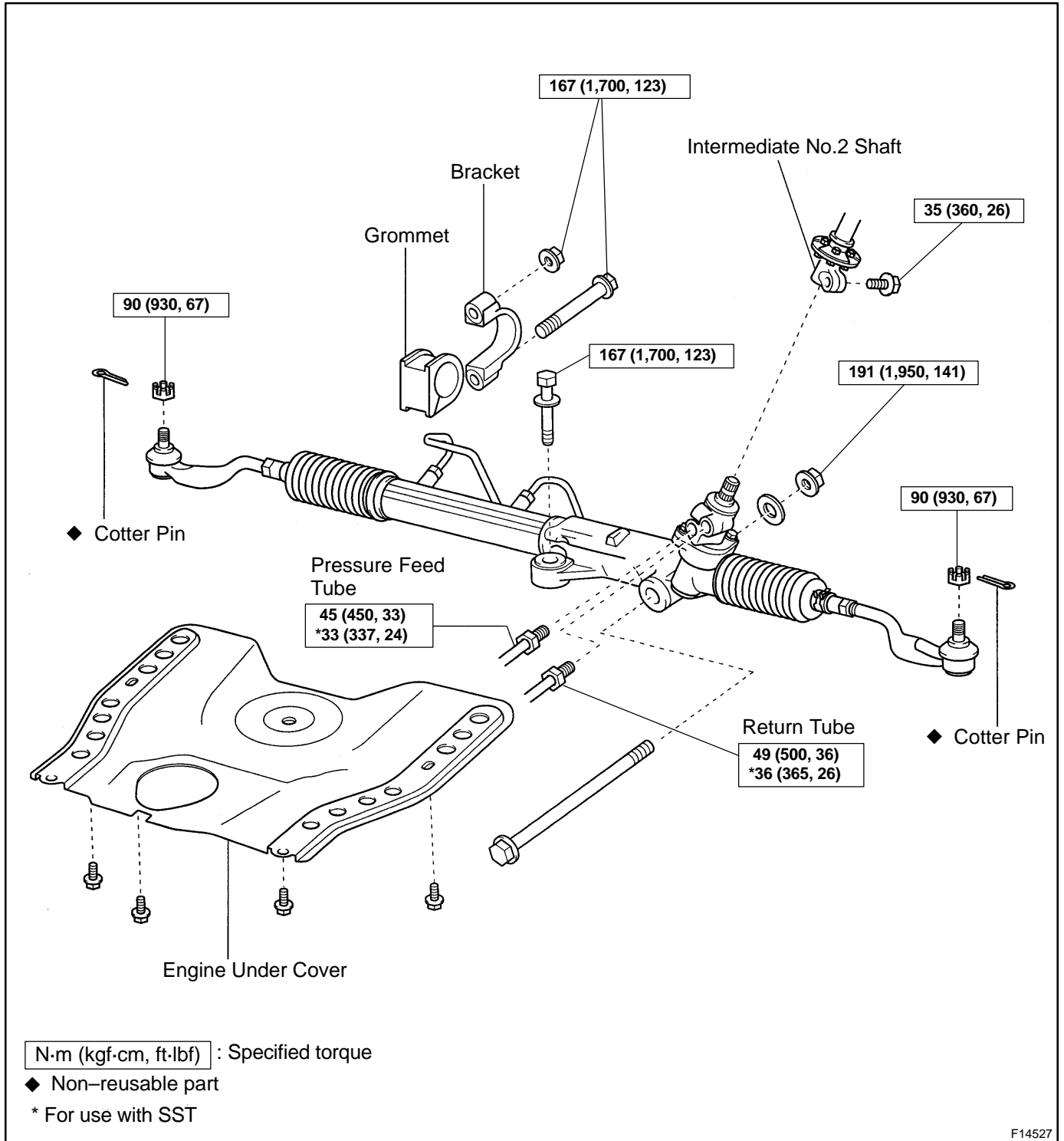
POWER STEERING GEAR (4WD and PRE RUNNER) COMPONENTS

SR05F-03

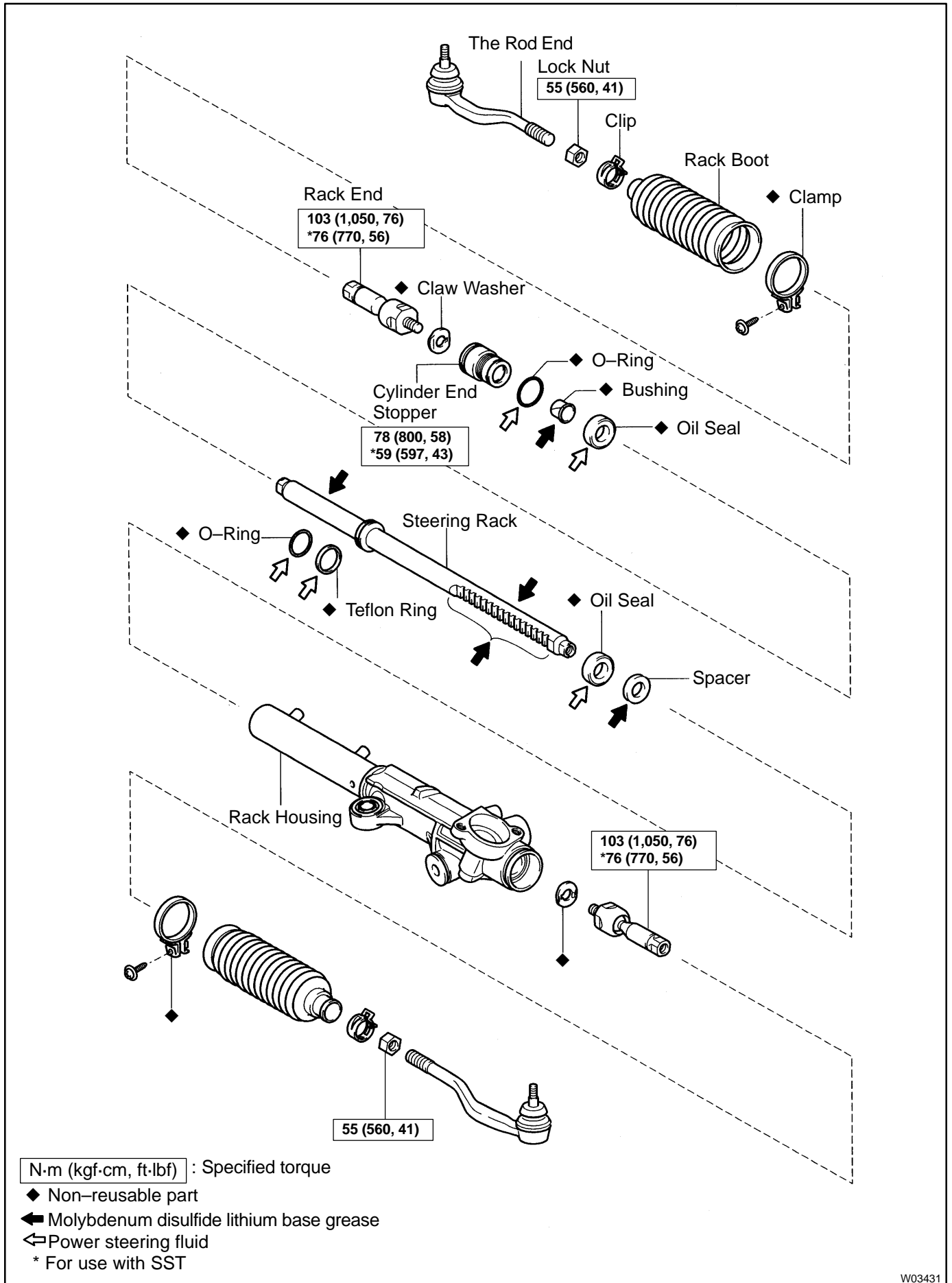
HINT:

Pre runner is the described below.

RZN191L-TRPKAB, RZN196L-CRPKAB, RZN196L-PRPKAB, VZN195L-CRPKAB, VZN195L-PRPKAB



F14527



W03431

