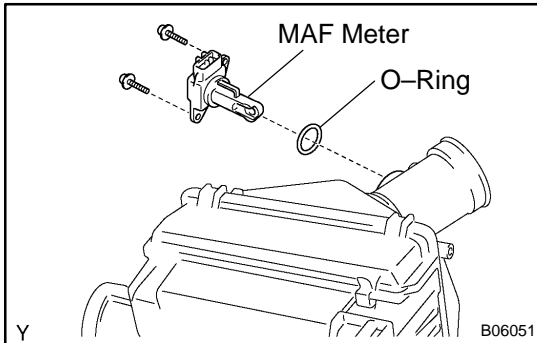


MASS AIR FLOW (MAF) METER REMOVAL

SF04R-04

1. REMOVE AIR CLEANER CASE

- (a) Disconnect the air cleaner hose.
- (b) Disconnect the MAF meter connector.
- (c) Remove the 3 bolts and air cleaner case.



2. REMOVE MAF METER

- (a) Remove the 2 screws and MAF meter.
- (b) Remove the O-ring from the MAF meter.