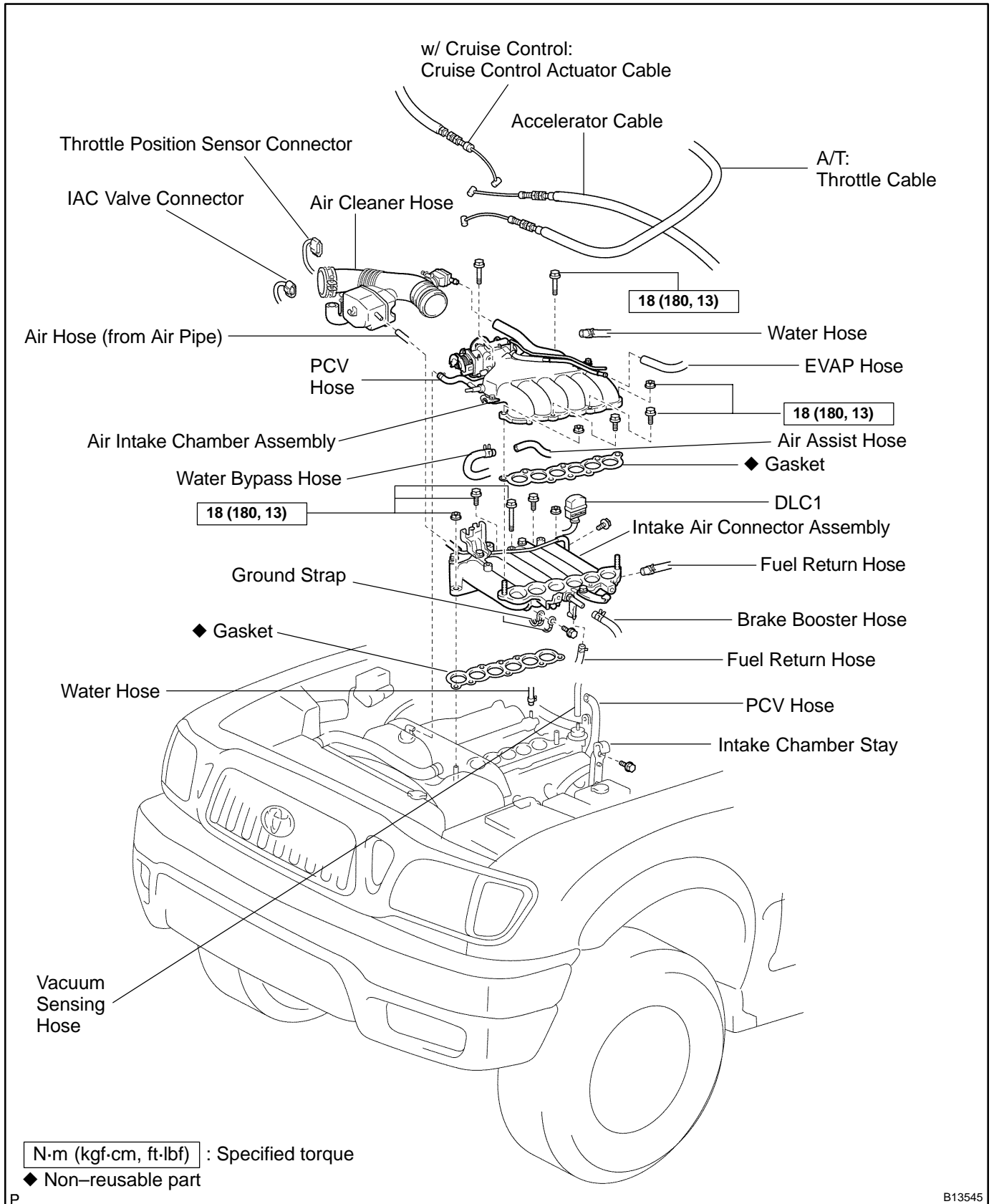
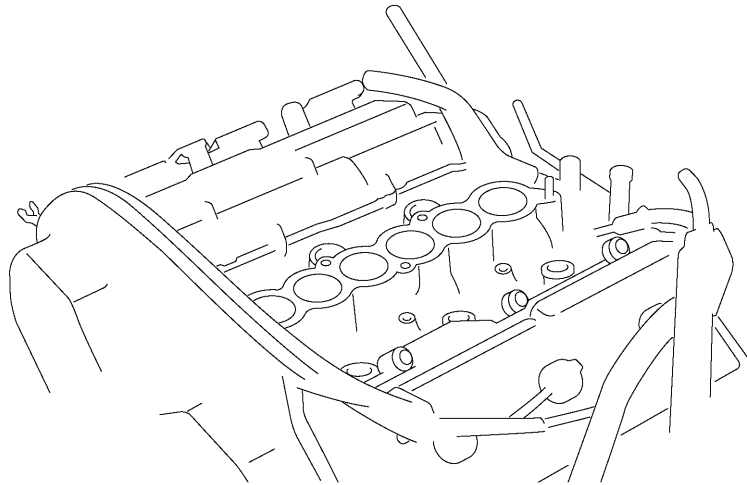
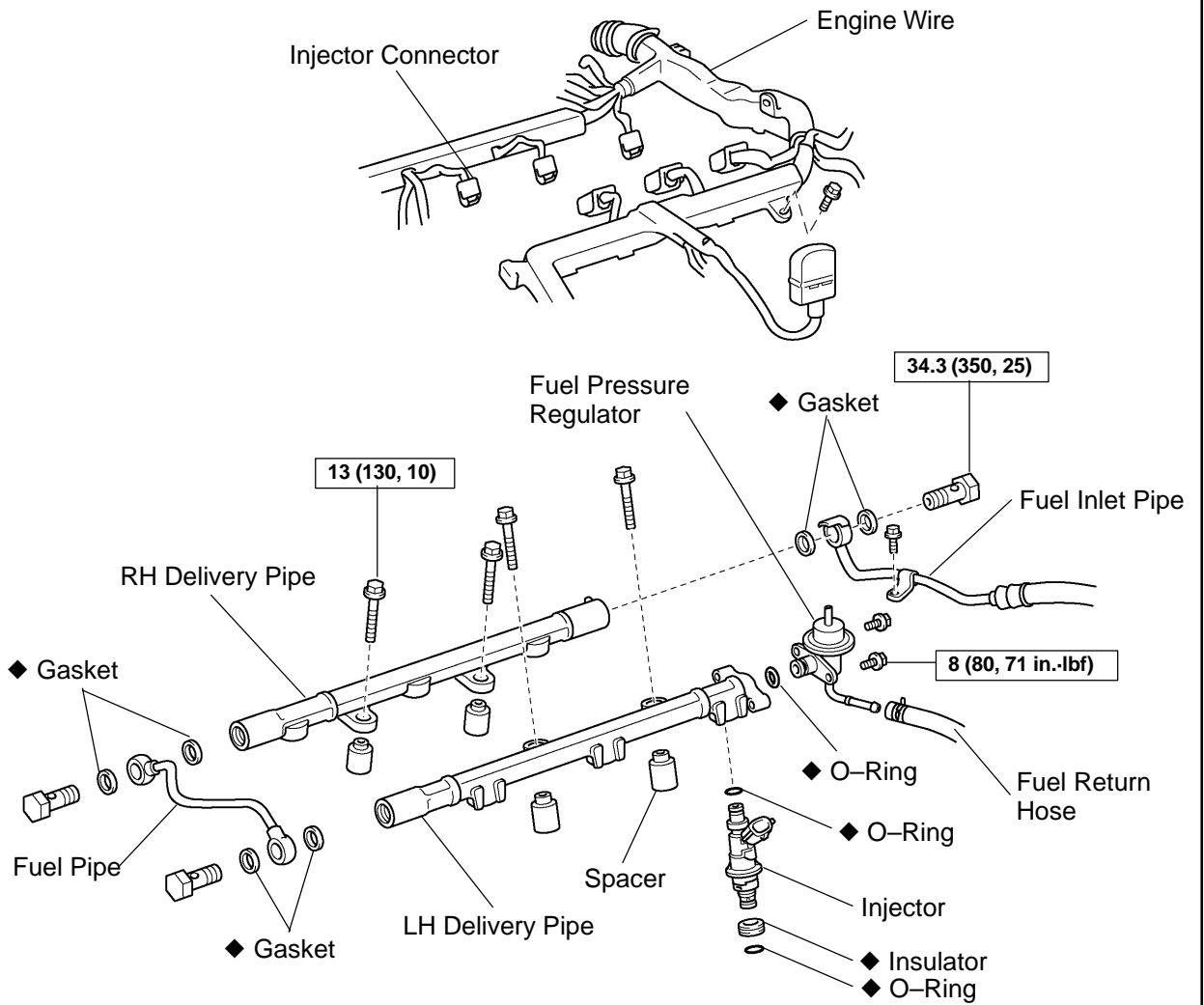


INJECTOR COMPONENTS

SF04K-05



SFI (5VZ-FE) - INJECTOR



N·m (kgf·cm, ft·lbf) : Specified torque

◆ Non-reusable part

B06047