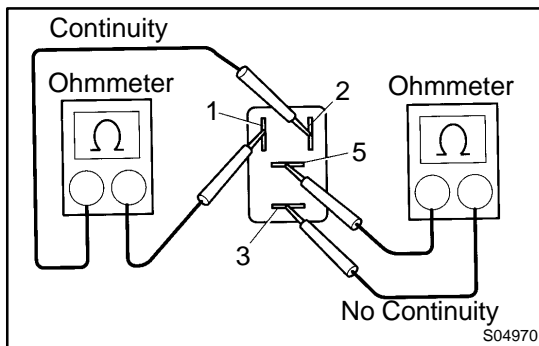


EFI MAIN RELAY INSPECTION

SF03R-04

1. REMOVE EFI MAIN RELAY (Marking: EFI)



2. INSPECT EFI MAIN RELAY

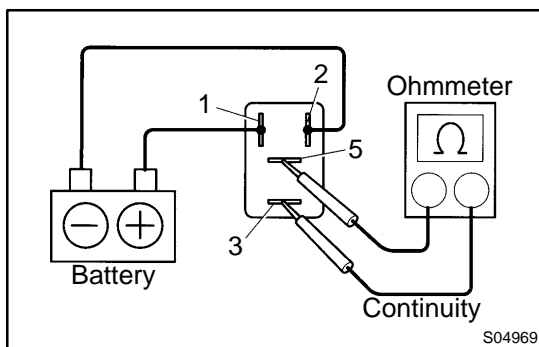
(a) Inspect the relay continuity.

- (1) Using an ohmmeter, check that there is continuity between terminals 1 and 2.

If there is no continuity, replace the relay.

- (2) Check that there is no continuity between terminals 3 and 5.

If there is continuity, replace the relay.



(b) Inspect the relay operation.

- (1) Apply battery positive voltage across terminals 1 and 2.

- (2) Using an ohmmeter, check that there is continuity between terminals 3 and 5.

If there is no continuity, replace the relay.

3. REINSTALL EFI MAIN RELAY