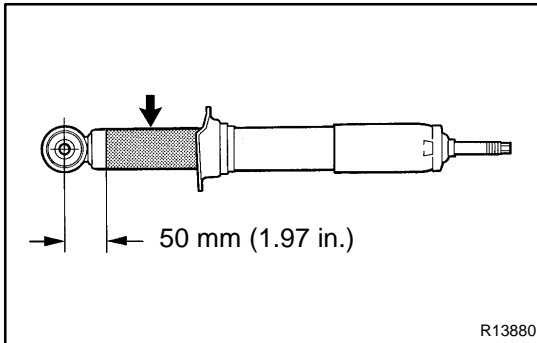


## DISPOSAL

### 1. FULLY EXTEND SHOCK ABSORBER ROD



### 2. DRILL HOLE TO DISCHARGE GAS FROM CYLINDER

Using a drill, make a hole in the cylinder as shown in the illustration to discharge the gas inside.

**CAUTION:**

The discharged gas is harmless, but be careful of chips which may fly up when drilling.