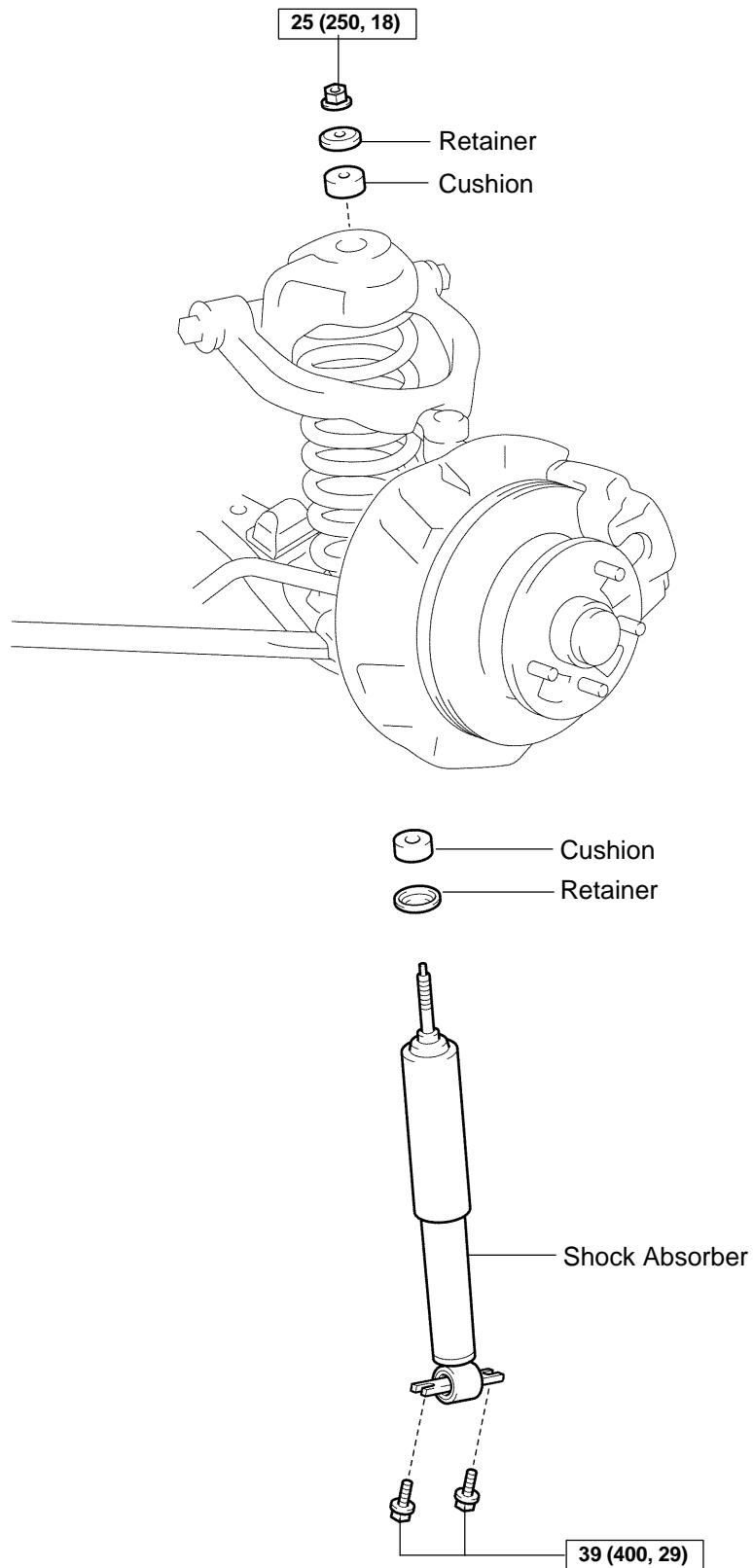


FRONT SHOCK ABSORBER (2WD) COMPONENTS

SA08V-03



N·m (kgf·cm, ft·lbf) : Specified torque

F14457