

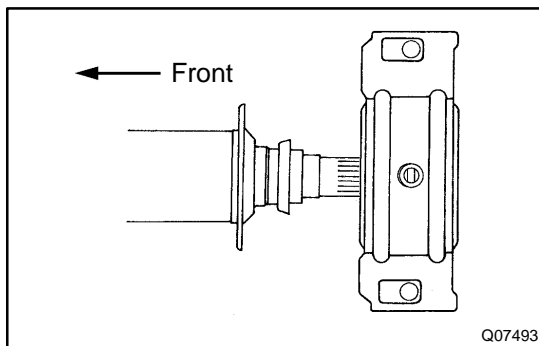
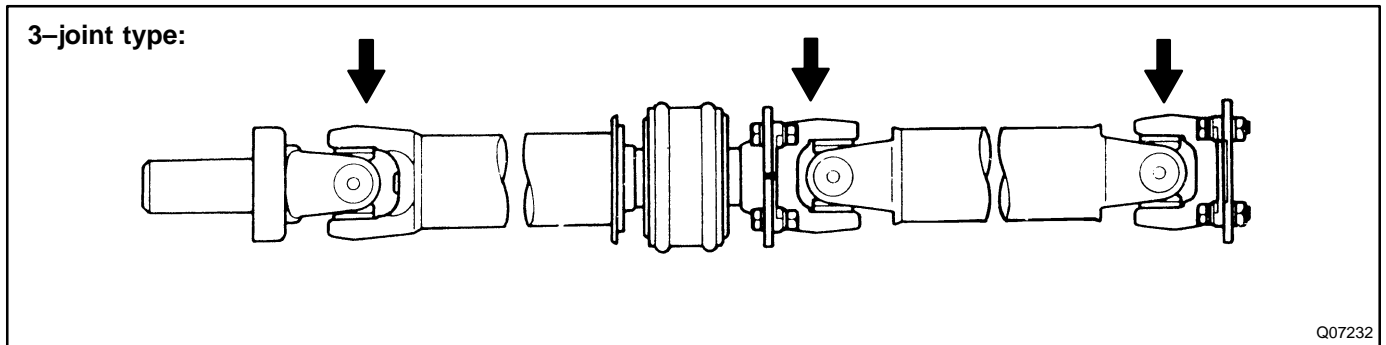
REASSEMBLY

NOTICE:

Be careful not to grip the propeller shaft tube too tightly in a vise as this will cause deformation.

HINT:

When replacing the propeller shaft, install new parts facing, as shown in the illustration.

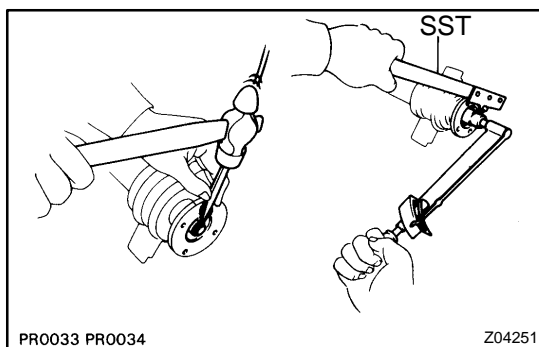


1. 3-joint type: INSTALL CENTER SUPPORT BEARING ON INTER-MEDIATE SHAFT

Install the center support bearing and spacer.

HINT:

Install the center support bearing with the cutout toward the rear.



2. 3-joint type: INSTALL FLANGE ON INTERMEDIATE SHAFT

- Coat the splines of the intermediate shaft with MP grease.
- Place the flange on the shaft and align the matchmarks.

HINT:

If replacing either the center flange or intermediate shaft, reassemble them so that the front flange yoke of the intermediate shaft and the rear flange yoke of the propeller shaft are facing in the same direction.

- Install the spacer.
- Using SST to hold the flange, press the bearing into position by tightening down a new nut.

SST 09330-00021

Torque: 181 N-m (1,850 kgf-cm, 134 ft-lbf)

- Loosen the nut.
- Torque the nut again.

Torque: 69 N-m (700 kgf-cm, 51 ft-lbf)

- Using a chisel and hammer, stake the nut.

3. 3-joint type:**CONNECT PROPELLER SHAFT AND INTERMEDIATE SHAFT**

- (a) Align the matchmarks on the flanges and connect the flanges with the 4 bolts, washers and nuts.

HINT:

If replacing either the center flange or intermediate shaft, reassemble them so that the front flange yoke of the intermediate shaft and the rear flange yoke of the propeller shaft are facing in the same direction.

- (b) Torque the nuts.

Torque: 74 N·m (750 kgf-cm, 54 ft-lbf)