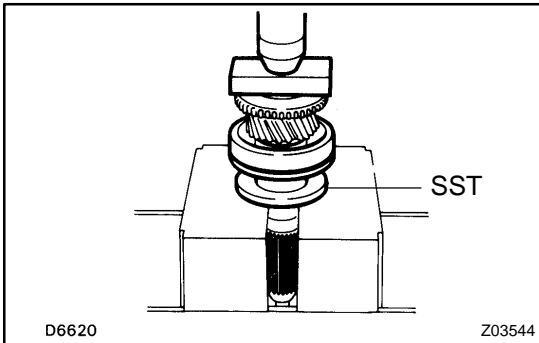


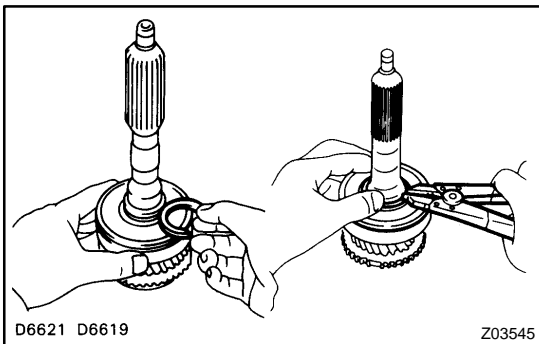
## REPLACEMENT

### IF NECESSARY, REPLACE INPUT SHAFT BEARING

- (a) Using a snap ring expander, remove the snap ring.
- (b) Using a press, remove the bearing.



- (c) Using SST and a press, install a new bearing.  
SST 09506-35010



- (d) Select a snap ring that allows the minimum axial play.

Mark	Thickness mm (in.)
A	2.10 - 2.15 (0.0827 - 0.0846)
B	2.15 - 2.20 (0.0846 - 0.0866)
C	2.20 - 2.25 (0.0866 - 0.0886)
D	2.25 - 2.30 (0.0886 - 0.0906)
E	2.30 - 2.35 (0.0906 - 0.0925)
F	2.35 - 2.40 (0.0925 - 0.0945)
G	2.40 - 2.45 (0.0945 - 0.0965)

- (e) Using a snap ring expander, install the snap ring.