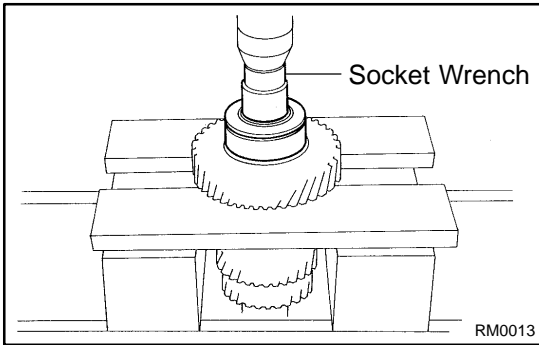
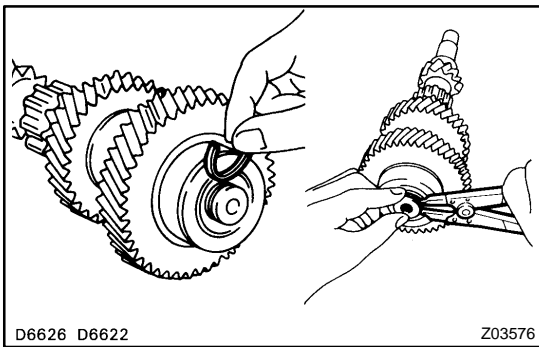


**REPLACEMENT**  
**IF NECESSARY, REPLACE COUNTER GEAR FRONT BEARING**

- (a) Using a snap ring expander, remove the snap ring.
- (b) Using SST and a press, remove the bearing.  
 SST 09950-00020
- (c) Replace the side race.



- (d) Using a socket wrench and press, install a new bearing and side race.



- (e) Select a snap ring that allows the minimum axial play.

| Mark | Thickness mm (in.)            |
|------|-------------------------------|
| A    | 2.00 – 2.05 (0.0787 – 0.0807) |
| B    | 2.05 – 2.10 (0.0807 – 0.0827) |
| C    | 2.10 – 2.15 (0.0827 – 0.0846) |
| D    | 2.15 – 2.20 (0.0846 – 0.0866) |
| E    | 2.20 – 2.25 (0.0866 – 0.0886) |
| F    | 2.25 – 2.30 (0.0886 – 0.0906) |

- (f) Using a snap ring expander, install the snap ring.