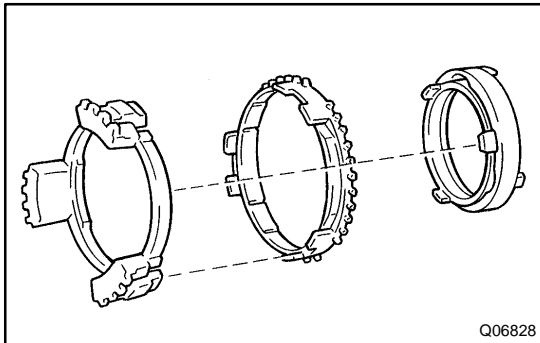


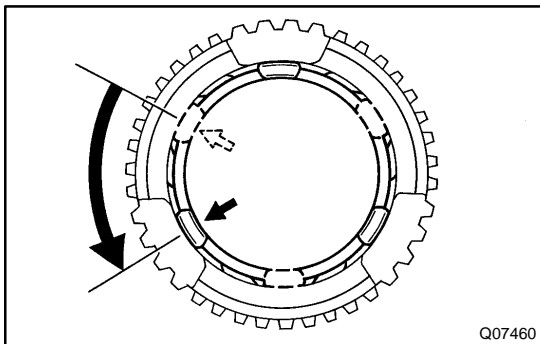
## REASSEMBLY

### INSTALL SYNCHRONIZER RING ASSEMBLY TO HUB SLEEVE NO.3

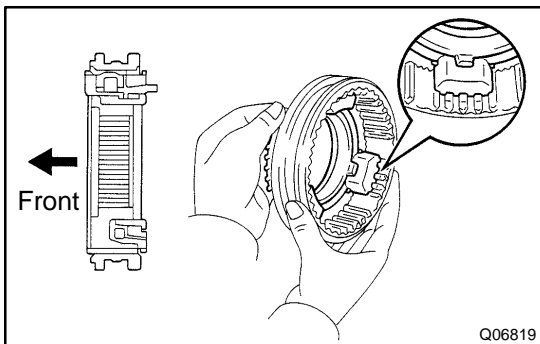
- (a) Put the key spring to the hole of the shifting key.
- (b) Push the 3 shifting keys with the 3 key springs to the reverse synchronizer ring.
- (c) Install the synchronizer cone ring to the reverse synchronizer pull ring and turn the pull ring.



- (d) Install the 5th synchronizer ring.
- (e) Install the reverse synchronizer ring.



- (f) Turn the reverse synchronizer pull ring.



- (g) While pushing the 3 shifting keys, install the synchronizer ring assembly to the hub sleeve No.3.