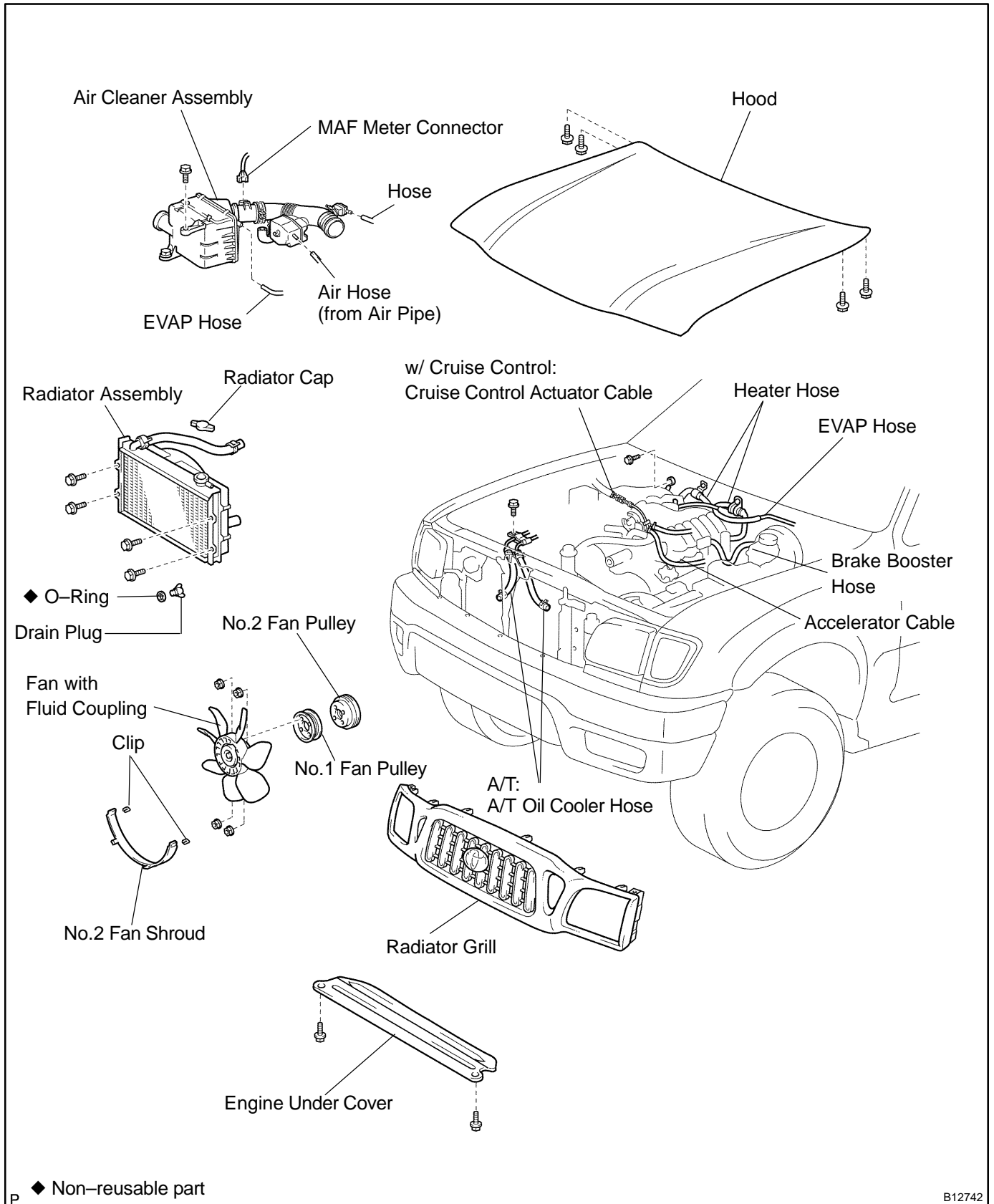
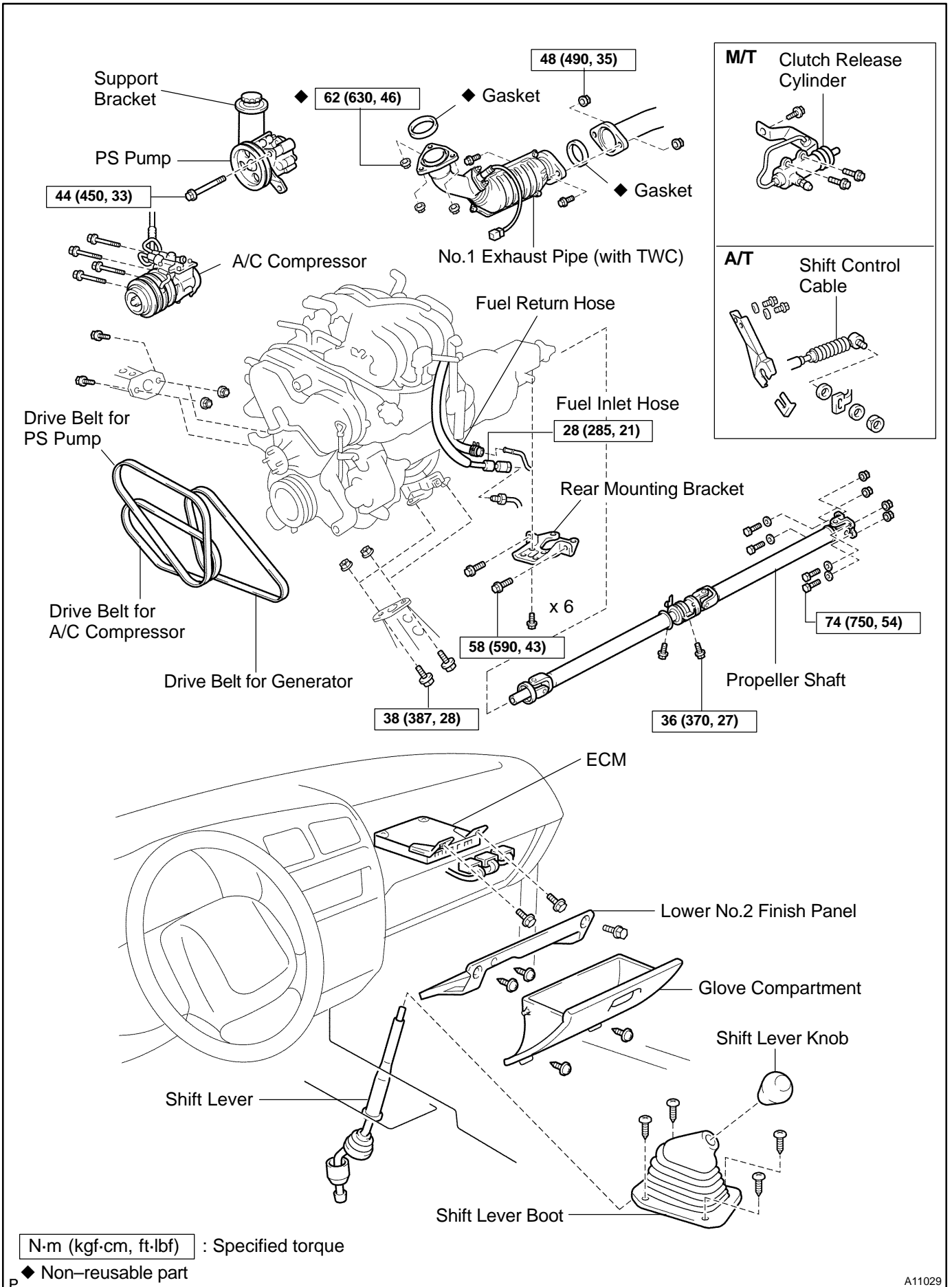


# ENGINE UNIT (2WD) COMPONENTS

EM1N3-01





A11029

