

DTC	B0106/54	Open in P Squib Circuit
------------	-----------------	--------------------------------

CIRCUIT DESCRIPTION

The P squib circuit consists of the airbag sensor assembly and front passenger airbag assembly. It causes the SRS to deploy when the SRS deployment conditions are satisfied. For details of the function of each component, see OPERATION on page RS-2. DTC B0106/54 is recorded when an open is detected in the P squib circuit.

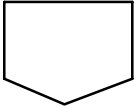
DTC No.	DTC Detecting Condition	Trouble Area
B0106/54	<ul style="list-style-type: none"> • Open circuit in P+ wire harness or P- wire harness of squib • P squib malfunction • Airbag sensor assembly malfunction 	<ul style="list-style-type: none"> • Front passenger airbag assembly (P squib) • Passenger airbag manual on-off switch • Airbag sensor assembly • Wire harness

WIRING DIAGRAM

See page DI-616.

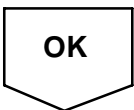
INSPECTION PROCEDURE

1	Prepare for inspection (See step 1 on page DI-675).
----------	--

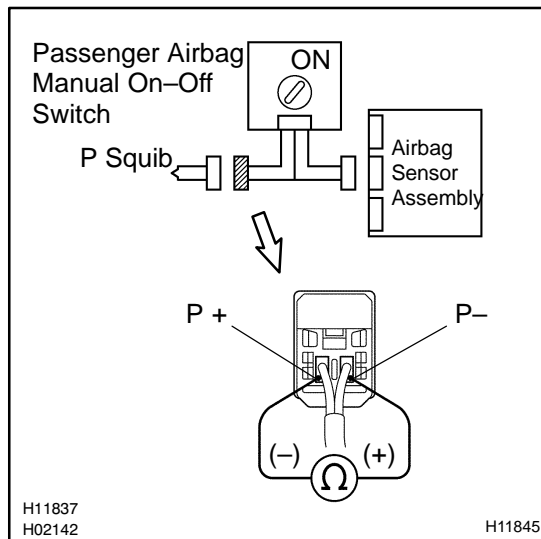


2	Check passenger airbag manual on-off switch (See page RS-46).
----------	--

NG	Replace passenger airbag manual on-off switch.
-----------	---



3 Check P squib circuit.



PREPARATION:

Turn the passenger airbag manual on-off switch to ON.

CHECK:

For the connector (on the front passenger airbag assembly side) between the front passenger airbag assembly and the airbag sensor assembly, measure the resistance between P+ and P-.

OK:

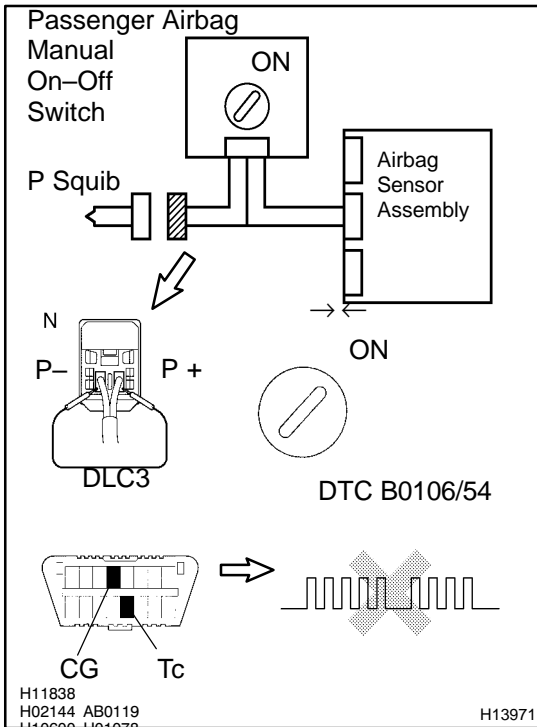
Resistance: Below 1 Ω

NG

Repair or replace harness or connector between front passenger airbag assembly and airbag sensor assembly.

OK

4 Check airbag sensor assembly.



PREPARATION:

- Turn the passenger airbag manual on-off switch to ON.
- Connect the connector to the airbag sensor assembly.
- Using a service wire, connect P+ and P- of the connector (on the front passenger airbag assembly side) between the front passenger airbag assembly and the airbag sensor assembly.
- Connect negative (-) terminal cable to the battery, and wait at least for 2 seconds.

CHECK:

- Turn the ignition switch to ON and wait at least for 20 seconds.
- Clear the DTC stored in memory (See page [DI-588](#)).
- Turn the ignition switch to LOCK, and wait at least for 20 seconds.
- Turn the ignition switch to ON, and wait at least for 20 seconds.
- Check the DTC (See page [DI-588](#)).

OK:

DTC B0106/54 is not output.

HINT:

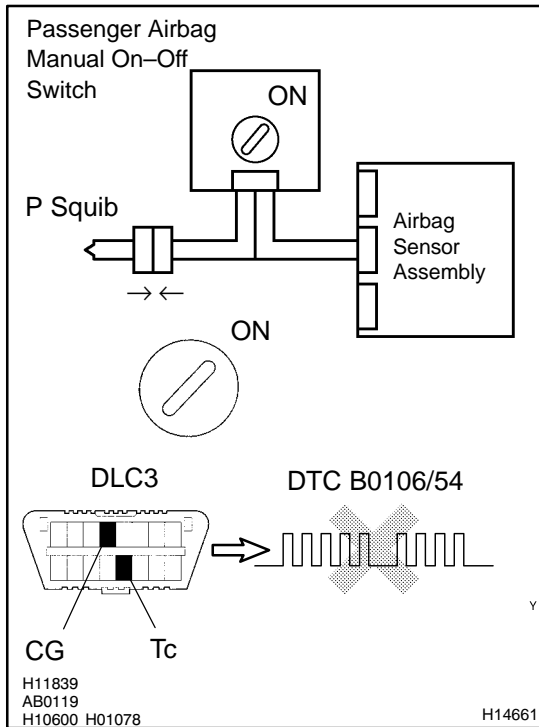
Codes other than code B0106/54 may be output at this time, but they are not relevant to this check.

NG

Replace airbag sensor assembly.

OK

5 Check P squib.



PREPARATION:

- Turn the passenger airbag manual on-off switch to ON.
- Turn the ignition switch to LOCK.
- Disconnect negative (-) terminal cable from the battery, and wait at least for 90 seconds.
- Connect the front passenger airbag assembly connector.
- Connect negative (-) terminal cable to the battery, and wait at least for 2 seconds.

CHECK:

- Turn the ignition switch to ON, and wait at least for 20 seconds.
- Clear the DTC stored in memory (See page [DI-588](#)).
- Turn the ignition switch to LOCK, and wait at least for 20 seconds.
- Turn the ignition switch to ON, and wait at least for 20 seconds.
- Check the DTC (See page [DI-588](#)).

OK:

DTC B0106/54 is not output.

HINT:

Codes other than code B0106/54 may be output at this time, but they are not relevant to this check.

NG

Replace front passenger airbag assembly.

OK

From the results of the above inspection, the malfunctioning part can now be considered normal. To make sure of this, use the simulation method to check.