

<b>DTC</b>	<b>14</b>	<b>Actuator Mechanical Malfunction</b>
------------	-----------	--

## CIRCUIT DESCRIPTION

The circuit detects a rotation position of the actuator control plate and sends a signal to the ECU.

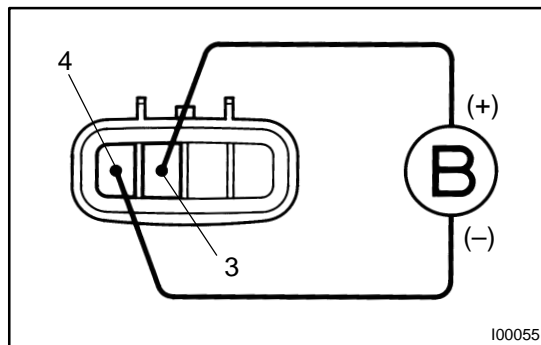
DTC No.	DTC Detection Condition	Trouble Area
14	Cruise control actuator mechanical malfunction	<ul style="list-style-type: none"> <li>• Actuator motor (actuator lock: motor, arm)</li> <li>• Cruise control ECU</li> </ul>

## WIRING DIAGRAM

See page [DI-733](#).

## INSPECTION PROCEDURE

<b>1</b>	<b>Check cruise control actuator arm locking operation</b>
----------	--



### PREPARATION:

- (a) Turn the ignition switch OFF.
- (b) Disconnect the actuator connector.

### CHECK:

- (a) Connect the positive (+) lead from the battery to terminal 3 of the actuator and the negative (-) lead to terminal 4.

### NOTICE:

**Do not connect high tension cables to a wrong battery terminal. The cruise control actuator will be damaged.**

- (b) Move the control plate by hand.

### OK:

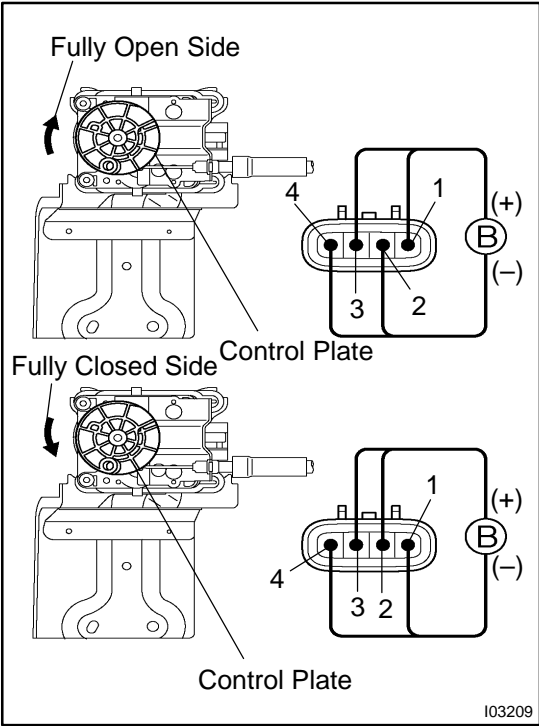
**Control plate does not move.**

**NG**

**Replace cruise control actuator.**

**OK**

**2 Check cruise control actuator operation.**



**PREPARATION:**

- (a) Turn the ignition switch OFF.
- (b) Disconnect the actuator connector.

**CHECK:**

Connect the positive (+) lead from the battery to terminals 1 and 3 of the actuator, and the negative (-) lead to terminals 2 and 4.

**OK:**

**Control arm moves to fully opened side**

**CHECK:**

Connect the positive (+) lead from the battery to terminals 2 and 3 of the actuator, and the negative (-) lead to terminals 1 and 4.

**OK:**

**Control arm moves to fully colsed side**

**NG** → **Replace cruise control actuator.**

**OK**

**3 Check harness and connector between cruise control ECU and cruise control actuator (See page IN-28).**

**NG** → **Repair or replace harness or connector.**

**OK**

**Check and replace cruise control ECU.**