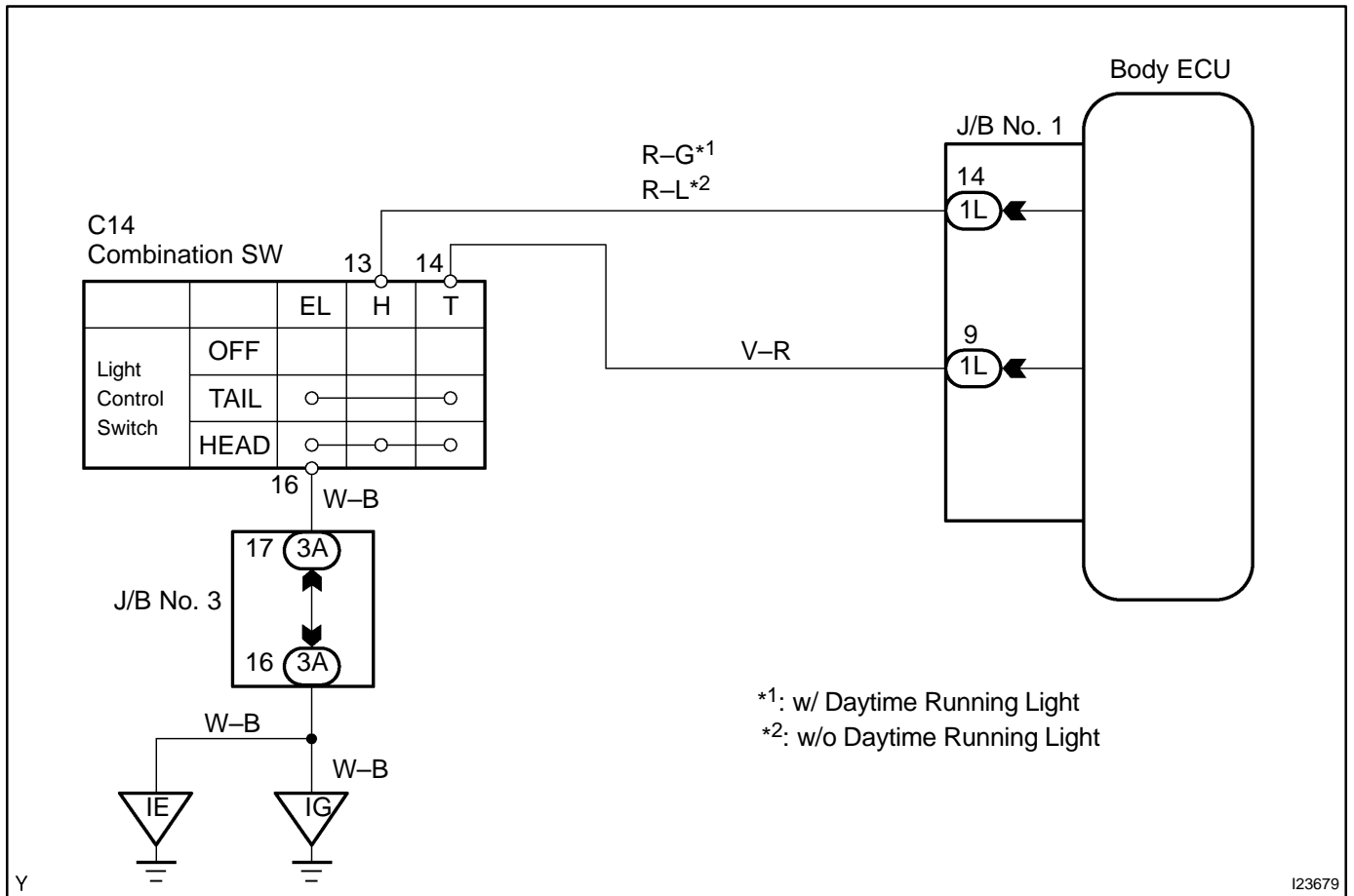


Light Control Switch Circuit

CIRCUIT DESCRIPTION

This circuit detects the state of the light control switch.

WIRING DIAGRAM



INSPECTION PROCEDURE

1	Check light control switch (See page BE-17).
---	---

NG → Replace light control switch.

OK

2

Check for harness and connector between light control switch and body ECU
(See page [IN-28](#)).

NG

Repair or replace harness or connector.

OK

Proceed to next circuit inspection shown in
problem symptoms table (See page
[DI-773](#)).