

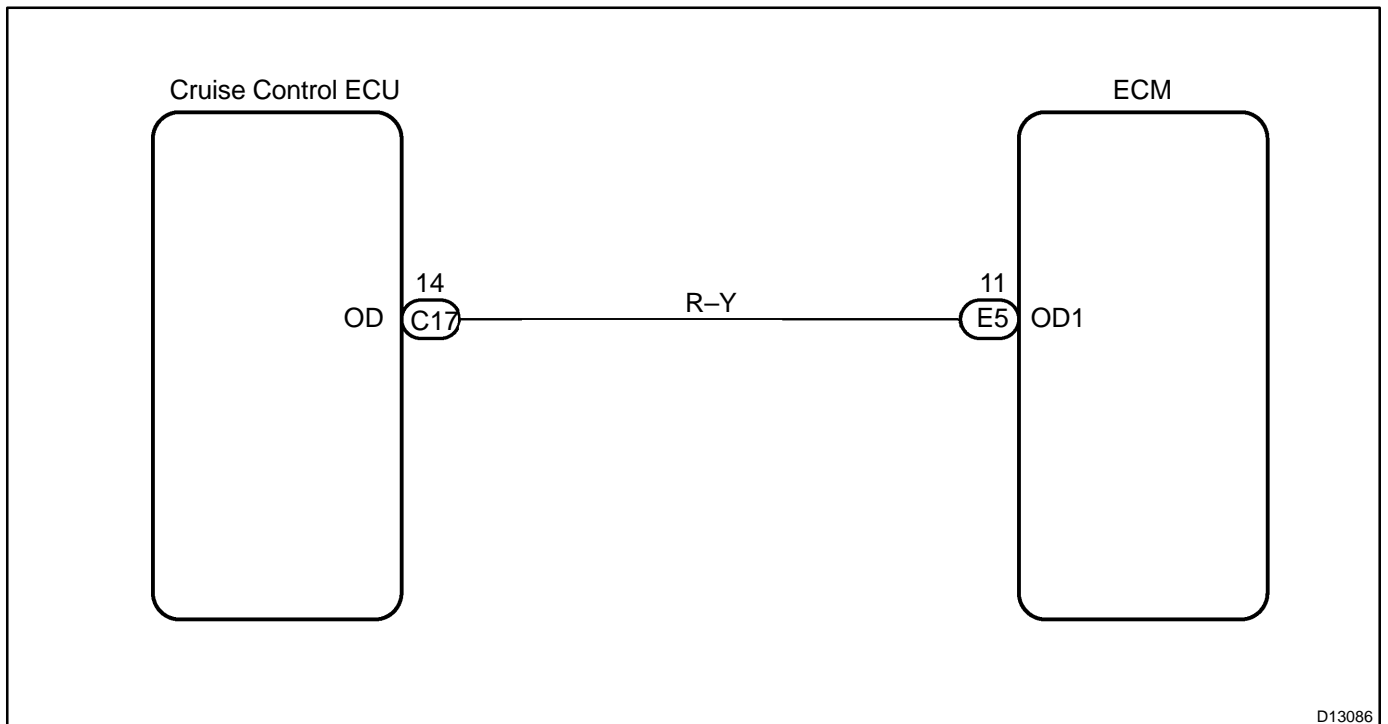
O/D Cancel Signal Circuit (Only for 3RZ - FE)

CIRCUIT DESCRIPTION

While driving uphill with cruise control activated, in order to minimize gear shifting and provide smooth cruising O/D may be prohibited temporarily under some conditions.

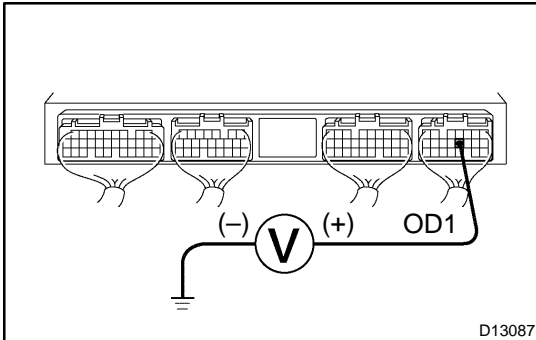
The cruise control ECU sends O/D cut signals to the ECM as necessary and the ECM cancels O/D shifting until these signals are discontinued.

WIRING DIAGRAM



INSPECTION PROCEDURE

1 Check voltage between terminal OD1 of ECM and body ground.

**PREPARATION:**

Turn the ignition switch ON.

CHECK:

Measure voltage between terminal OD1 of ECM and body ground.

OK:

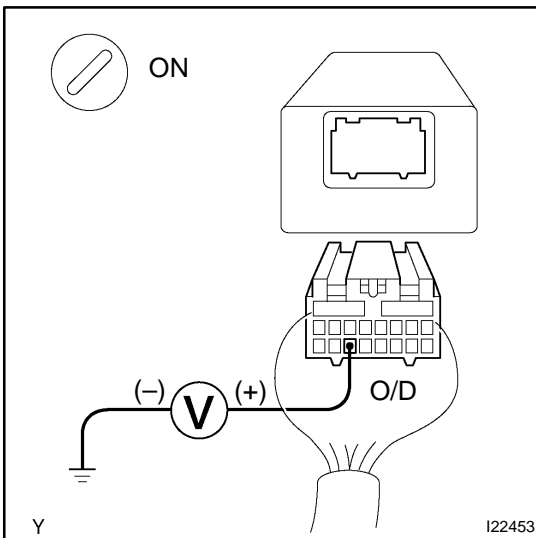
Voltage: 4 – 6 V

OK

Proceed to next circuit inspection shown on matrix chart (See page [DI-476](#)).

NG

2 Check voltage between terminal OD of cruise control ECU harness side connector and body ground.

**PREPARATION:**

(a) Disconnect the cruise control ECU connector.

(b) Turn the ignition switch ON.

CHECK:

Measure voltage between terminal OD of cruise control ECU harness side connector and body ground.

OK:

Voltage: 9 – 14 V

OK

Check and replace the cruise control ECU (See page [IN-28](#)).

NG

3	Check harness and connector between cruise control ECU and ECM (See page IN-28).
----------	-------------------------------------------------------------------------------------------------------------

NG	Repair or replace the harness or connector.
-----------	----------------------------------------------------

OK

Check and replace the ECM (See page IN-28).
