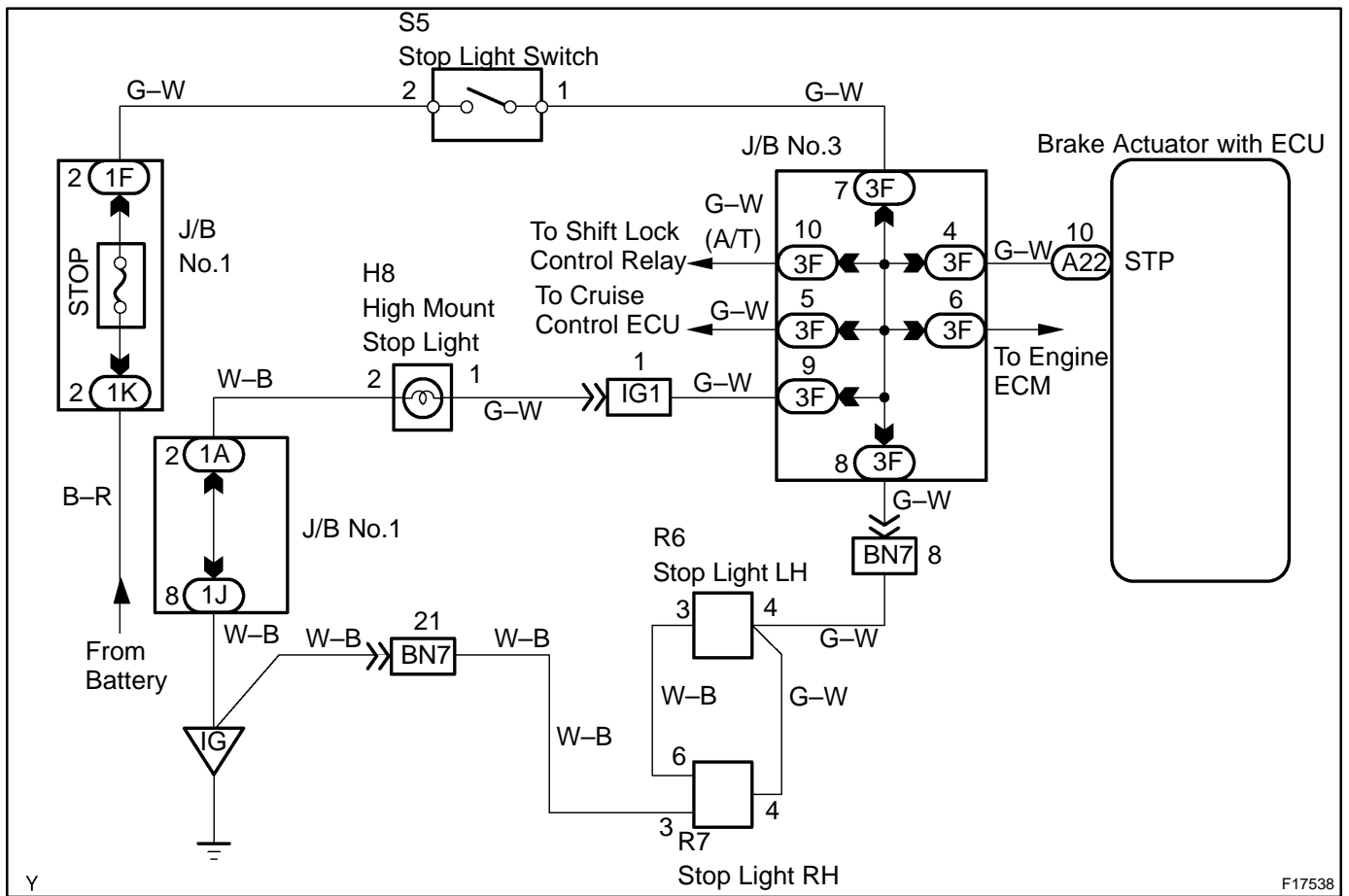


DTC	C1249 / 49	Stop Light Switch Circuit
------------	-------------------	----------------------------------

CIRCUIT DESCRIPTION

DTC No.	Detection Item	Trouble Area
C1249 / 49	This stop light switch senses whether the brake pedal is depressed or released, and sends the signal to the ECU.	<ul style="list-style-type: none"> • Stop light switch • Skid control ECU • Wire harness

WIRING DIAGRAM



INSPECTION PROCEDURE

1	Check operation of stop light.
----------	---------------------------------------

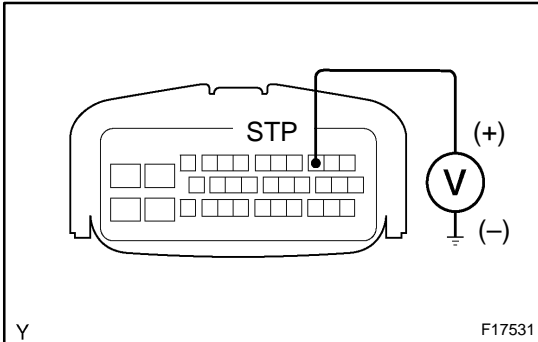
CHECK:

Check that stop light lights up when brake pedal is depressed and lights off when brake pedal is released.

NG → **Repair stop light circuit (See page BE-2).**

OK

2 Check voltage between terminal STP of skid control ECU and body ground.



PREPARATION:

Disconnect skid control ECU connector.

CHECK:

Measure voltage between terminal STP (10) of skid control ECU harness side connector and body ground when brake pedal is depressed.

OK:

Voltage: 8 – 14 V

OK

Proceed to next circuit inspection shown on problem symptoms table (See page [DI-545](#)).

NG

3 Check for open in harness and connector between skid control ECU and stop light switch (See page [IN-28](#)).

NG

Repair or replace harness or connector.

OK

Check and replace brake actuator ASSY.