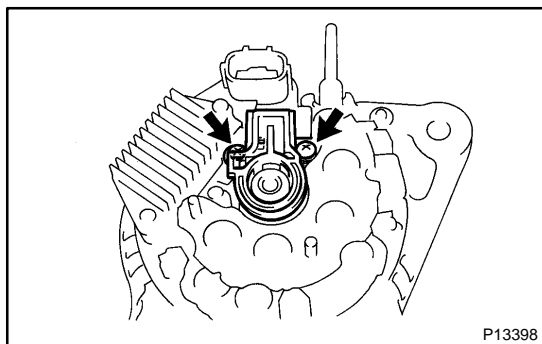


## DISASSEMBLY

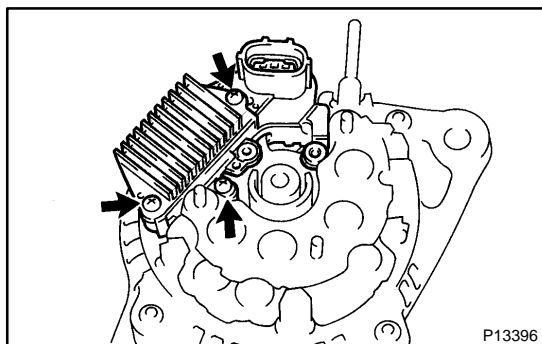
### 1. REMOVE REAR END COVER

- (a) Remove the nut and terminal insulator.
- (b) Remove the 3 nuts and end cover.



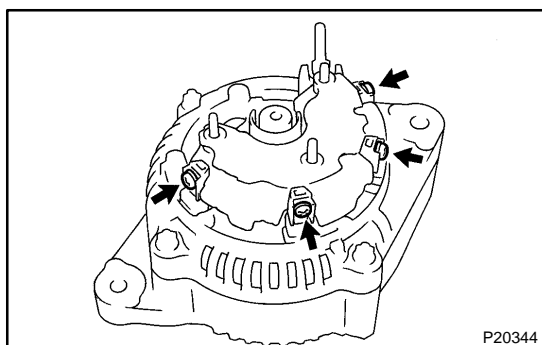
### 2. REMOVE BRUSH HOLDER

- (a) Remove the 2 screws, brush holder and cover.
- (b) Remove the brush holder cover from the brush holder.



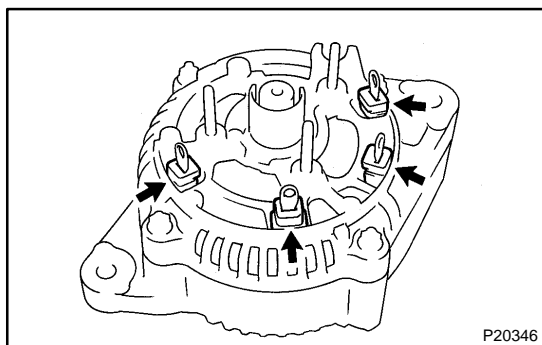
### 3. REMOVE VOLTAGE REGULATOR

Remove the 3 screws and voltage regulator.

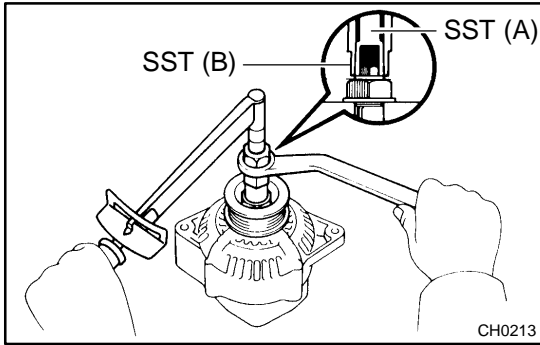


### 4. REMOVE RECTIFIER HOLDER

- (a) Remove the 4 screws and rectifier holder.

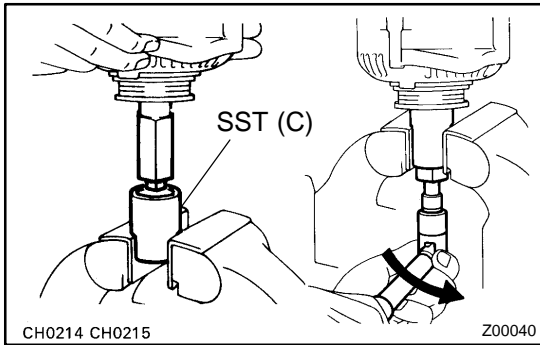


- (b) Remove the 4 rubber insulators.



**5. REMOVE PULLEY**

- (a) Hold SST (A) with a torque wrench, and tighten SST (B) clockwise to the specified torque.  
SST 09820-63011  
**Torque: 39 N·m (400 kgf·cm, 29 ft·lbf)**
- (b) Check that SST (A) is secured to the rotor shaft.

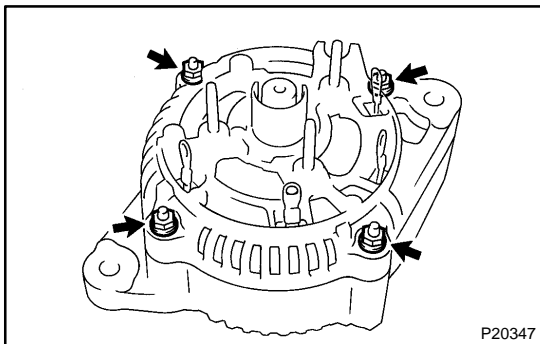


- (c) As shown in the illustration, mount SST (C) in a vise, and install the generator with SST (A) and (B) to SST (C).
- (d) To loosen the pulley nut, turn SST (A) in the direction shown in the illustration.

**NOTICE:**

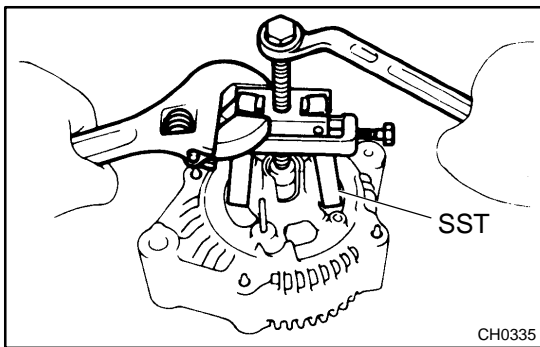
**To prevent damage to the rotor shaft, do not loosen the pulley nut more than one-half of a turn.**

- (e) Remove the generator with SST (A) and (B) from SST (C).
- (f) Turn SST (B) and remove SST (A) and (B).
- (g) Remove the pulley nut and pulley.



**6. REMOVE RECTIFIER END FRAME**

- (a) Remove the 4 nuts.



- (b) Using SST, remove the rectifier end frame.  
SST 09286-46011
- (c) Using snap ring pliers, remove the generator washer from the rectifier end frame.

**7. REMOVE ROTOR FROM DRIVE END FRAME**