

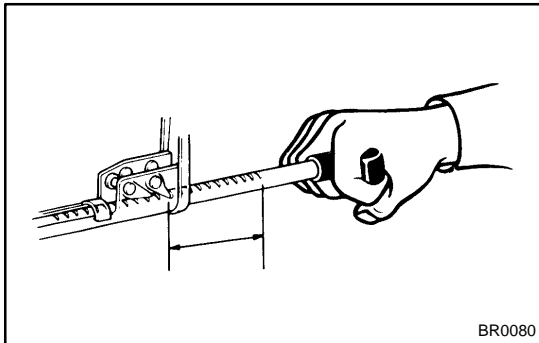
PARKING BRAKE LEVER ON-VEHICLE INSPECTION

BR04J-03

HINT:

Pre runner is the described below.

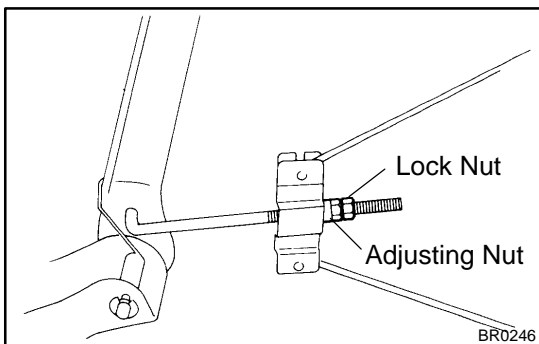
RZN191L-TRPDKAB, RZN196L-CRPDKAB,
RZN196L-PRPDKAB, VZN195L-CRPDKAB,
VZN195L-PRPDKAB



1. CHECK PARKING BRAKE LEVER TRAVEL

Pull the parking brake lever all the way up, and count the number of clicks.

**Parking brake lever travel at 196 N (20 kgf, 44.1 lbf):
12 – 18 clicks**



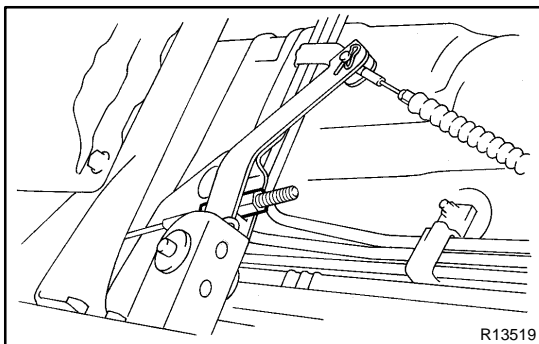
2. 2WD (except pre runner):

IF NECESSARY, ADJUST PARKING BRAKE

HINT:

Before adjusting the parking brake, make sure that the rear brake shoe clearance has been adjusted.

- (a) Loosen the lock nut.
- (b) Tighten the adjusting nut until the travel is correct. Then tighten the lock nut.
- (c) After adjusting the parking brake, confirm that the rear brakes are not dragging.



3. 4WD and pre runner:

IF NECESSARY, ADJUST PARKING BRAKE

HINT:

Before adjusting the parking brake, make sure that the rear brake shoe clearance has been adjusted.

- (a) Tighten 1 of the adjusting nuts of the intermediate lever while loosening the other one until the travel is correct. Tighten the 2 adjusting nuts.
- (b) After adjusting the parking brake, confirm that the bell-crank stopper screw comes into contact with the backing plate.