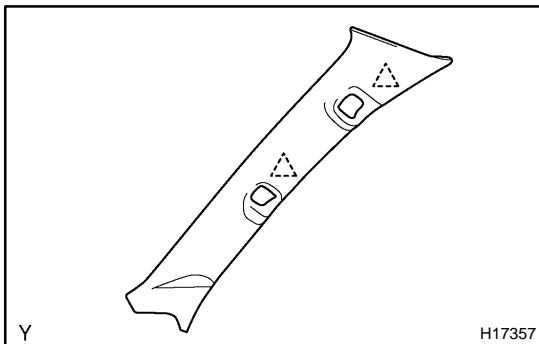
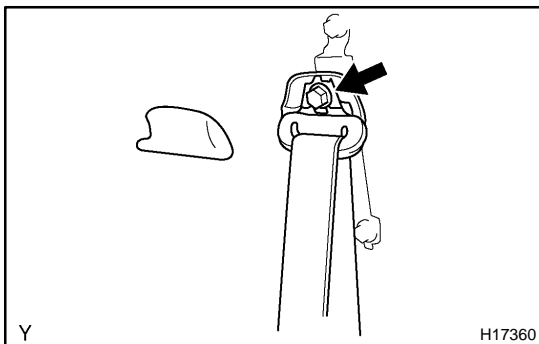


## REMOVAL

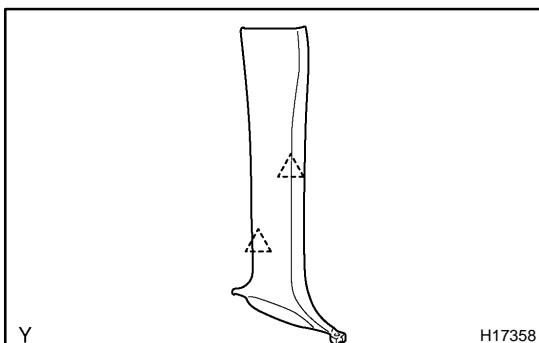
1. w/ Removable roof:  
REMOVE SUNSHADE TRIM
2. w/ Removable roof:  
REMOVE REMOVABLE ROOF LOCK HANDLE AND LOCK BASE
3. w/ Removable roof:  
REMOVE SLIDING ROOF OPENING TRIM
4. REMOVE FRONT SEAT
5. REMOVE REAR SEAT
6. REMOVE CENTER CONSOLE



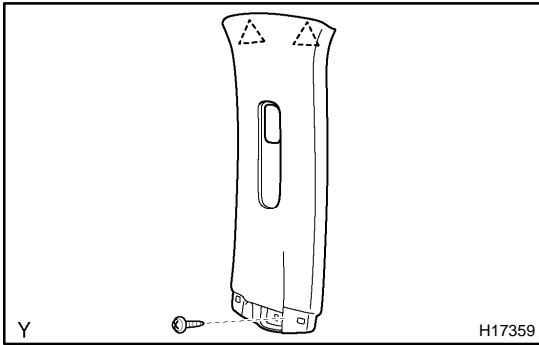
7. **REMOVE FRONT PILLAR GARNISHES**
  - (a) Disconnect the weatherstrip around the front pillar garnish.
  - (b) W/Assist grip:  
Remove the 2 plugs and 2 bolts and assist grip.
  - (c) Remove the front pillar garnish and 2 clips.
8. **REMOVE REAR DOOR WEATHER STRIPS**



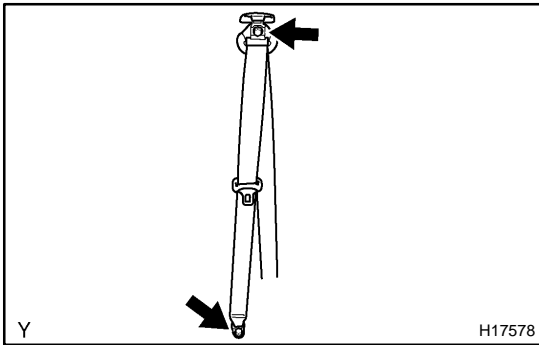
9. **REMOVE UPPER CENTER PILLAR GARNISHES**
  - (a) Disconnect the front outer seat belt.  
Using a screwdriver, remove the cover and bolts and disconnect the seat belt.
  - (b) Remove the 4 bolts and front scuff plate.
  - (c) Remove the 2 bolts and rear scuff plate.



- (d) Using a screwdriver, remove the lower center pillar garnish.

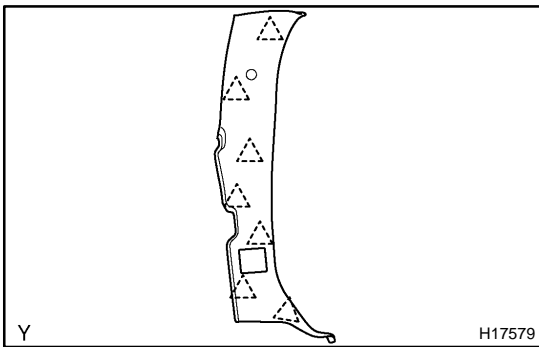


- (e) Using a screwdriver, remove the screw, upper center pillar garnish.

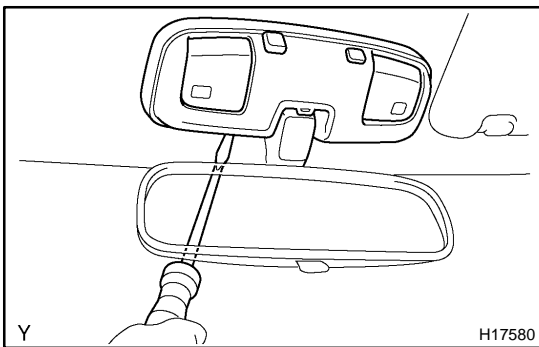


**10. REMOVE REAR QUARTER GARNISHES**

- (a) Disconnect the rear outer seat belt.
  - (1) Using a screwdriver, open the cover and remove the 2 bolts.
  - (2) Disconnect the seat belt from the garnish.

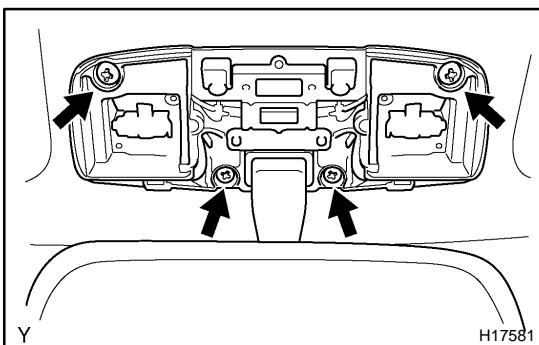


- (b) Using a screwdriver, remove the back panel upper garnish.
- (c) Using a screwdriver, remove the rear quarter garnish.

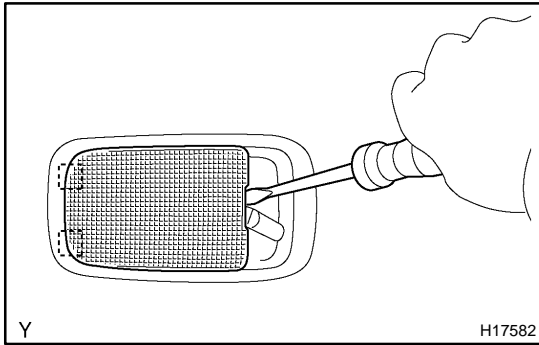


**11. REMOVE MAP LAMP AND MIRROR**

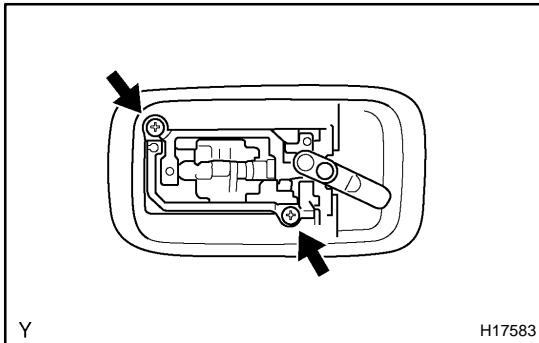
- (a) Using a screwdriver, remove the cover.



- (b) Remove the 4 screws, map lamp and mirror, disconnect the connector.

**12. REMOVE ROOM LAMP**

- (a) Using a screwdriver, remove the cover.



- (b) Remove the 2 screws, and room lamp, disconnect the connector.

**13. REMOVE REAR ASSIST GRIPS**

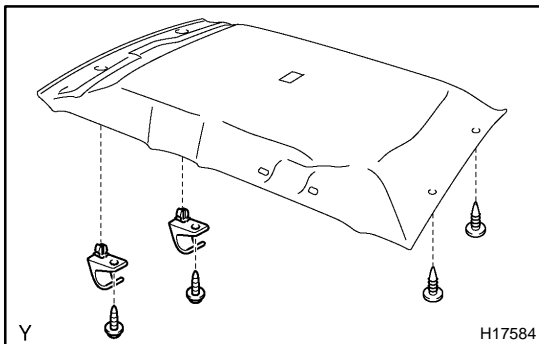
- (a) Using a screwdriver, remove the 2 plugs, 2 bolts and rear assist grips.

- (b) Remove the other one.

**14. REMOVE SUN VISORS**

- (a) Remove the 2 screws and sun visor.

- (b) Remove the other one.

**15. REMOVE ROOF HEADLINING**

- Remove the 2 screws, 2 sun visor holders, 2 clips and roof headlining from the passenger door.