

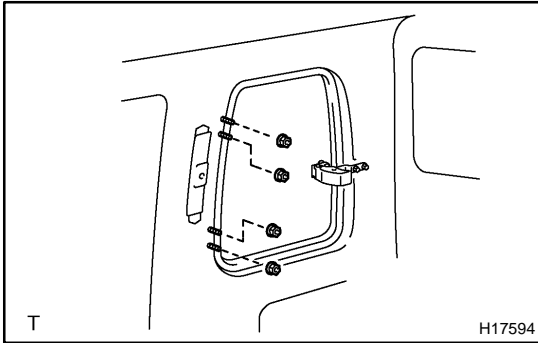
REMOVAL

1. REMOVE QUARTER TRIM (See page [BO-63](#))

2. REMOVE LOCK HANDLE

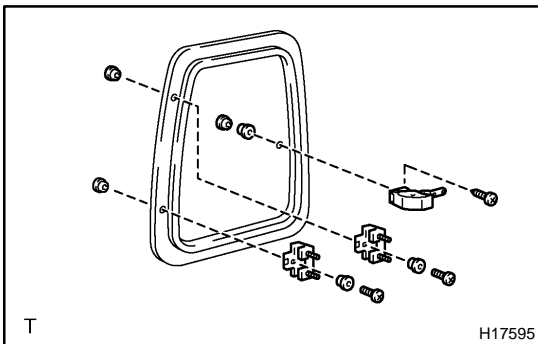
Remove the 2 bolts and lock handle.

BO428-01



3. REMOVE QUARTER WINDOW GLASS

(a) Remove the 4 nuts and quarter window glass.



(b) Remove the lock handle from the quarter window glass.

(c) Remove the 2 hinges from the quarter window glass.