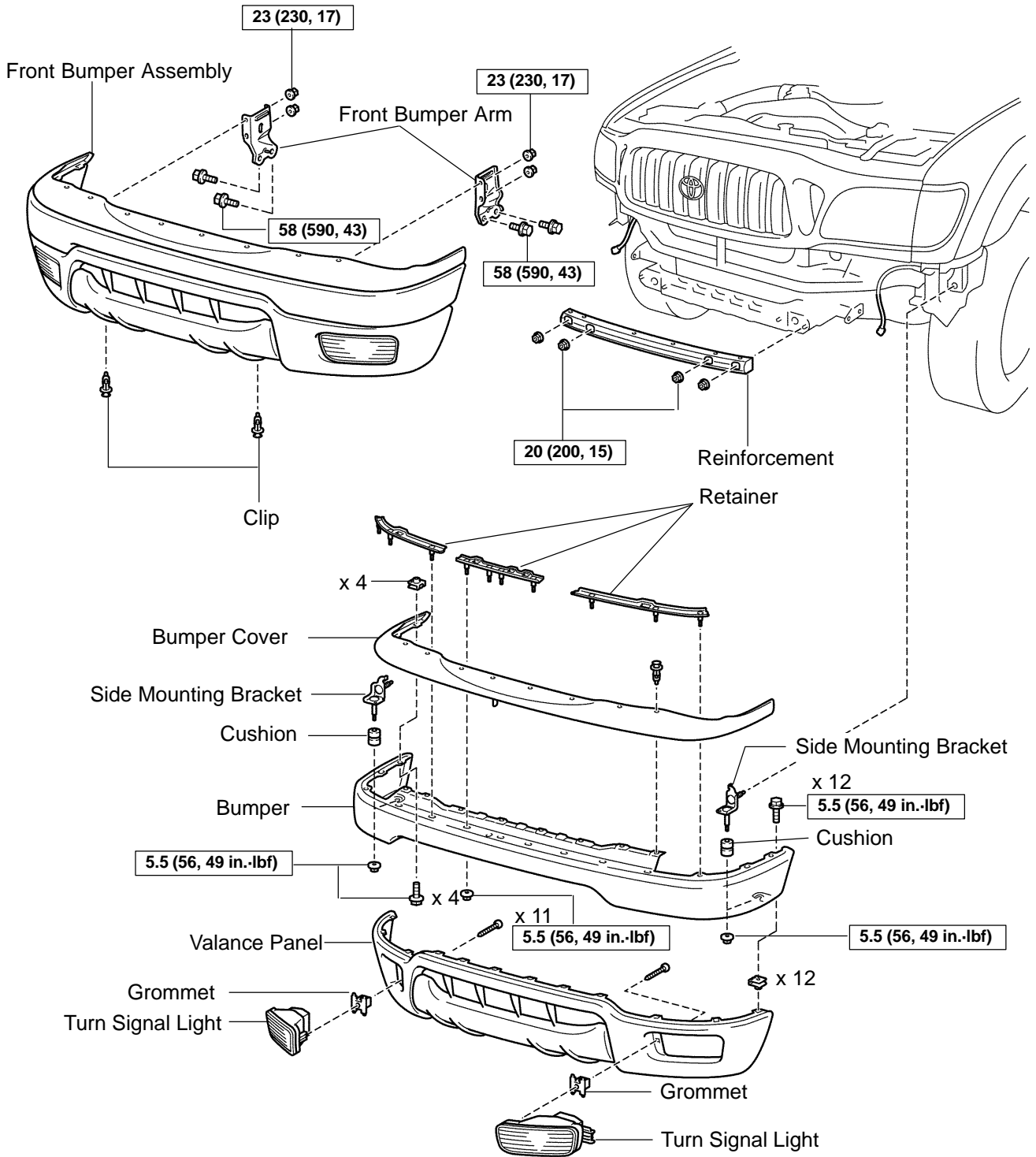


FRONT BUMPER COMPONENTS

BO420-01

Prerunner and 4x4

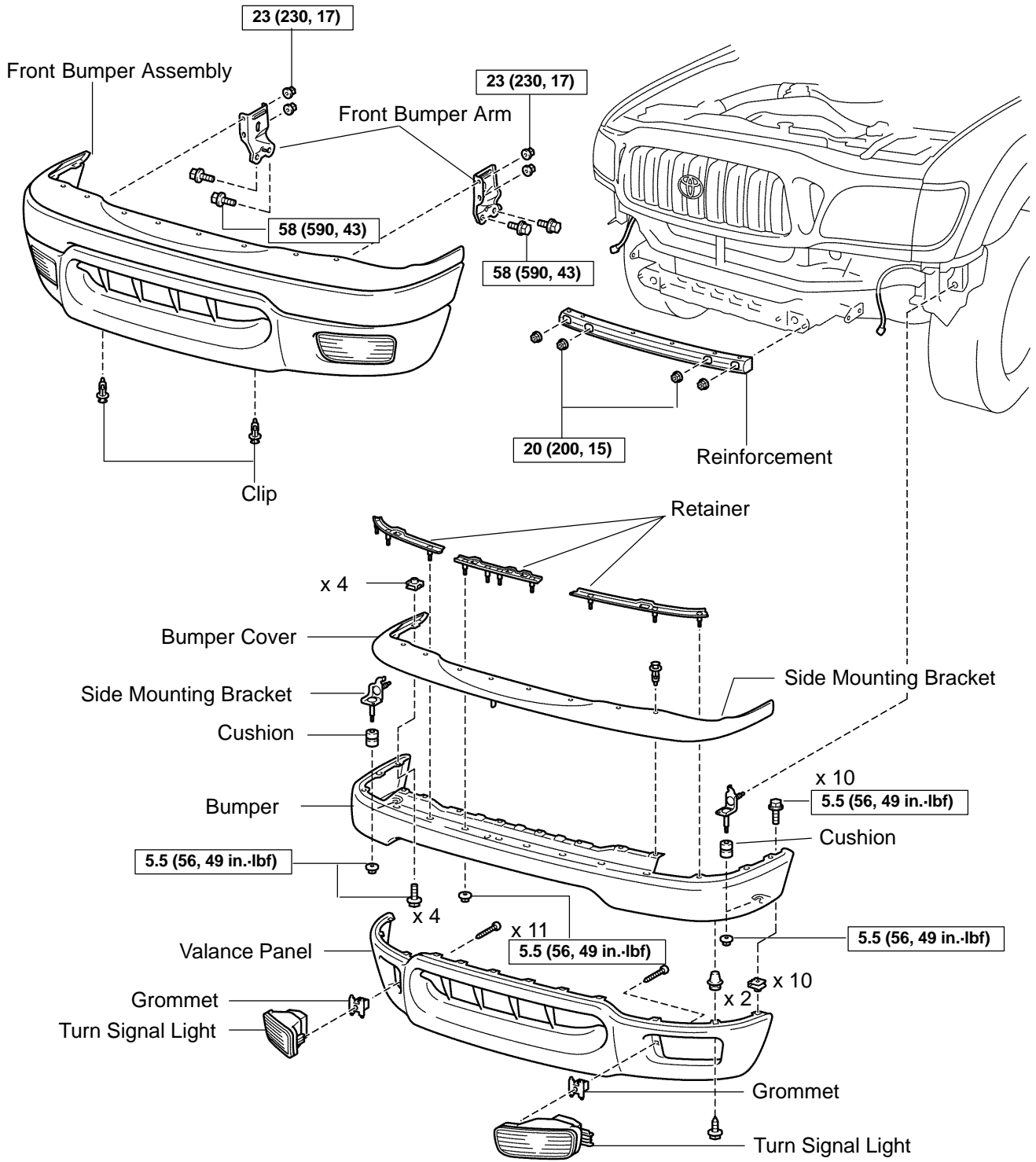


N·m (kgf·cm, ft·lbf) : Specified torque

H17330

BODY - FRONT BUMPER

4x2



N·m (kgf·cm, ft·lbf) : Specified torque

H17611