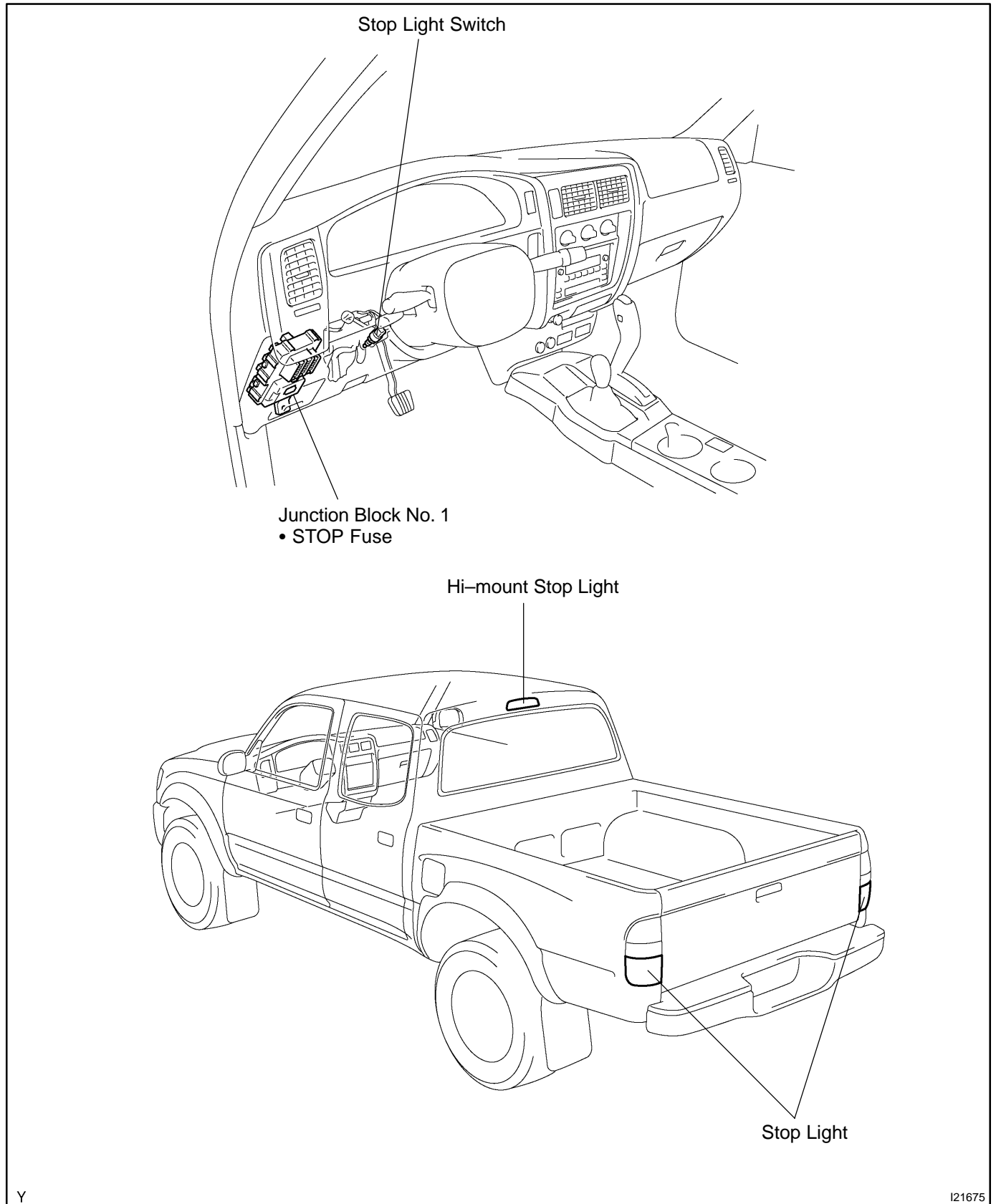


# STOP LIGHT SYSTEM LOCATION

BE046-02



Y

I21675