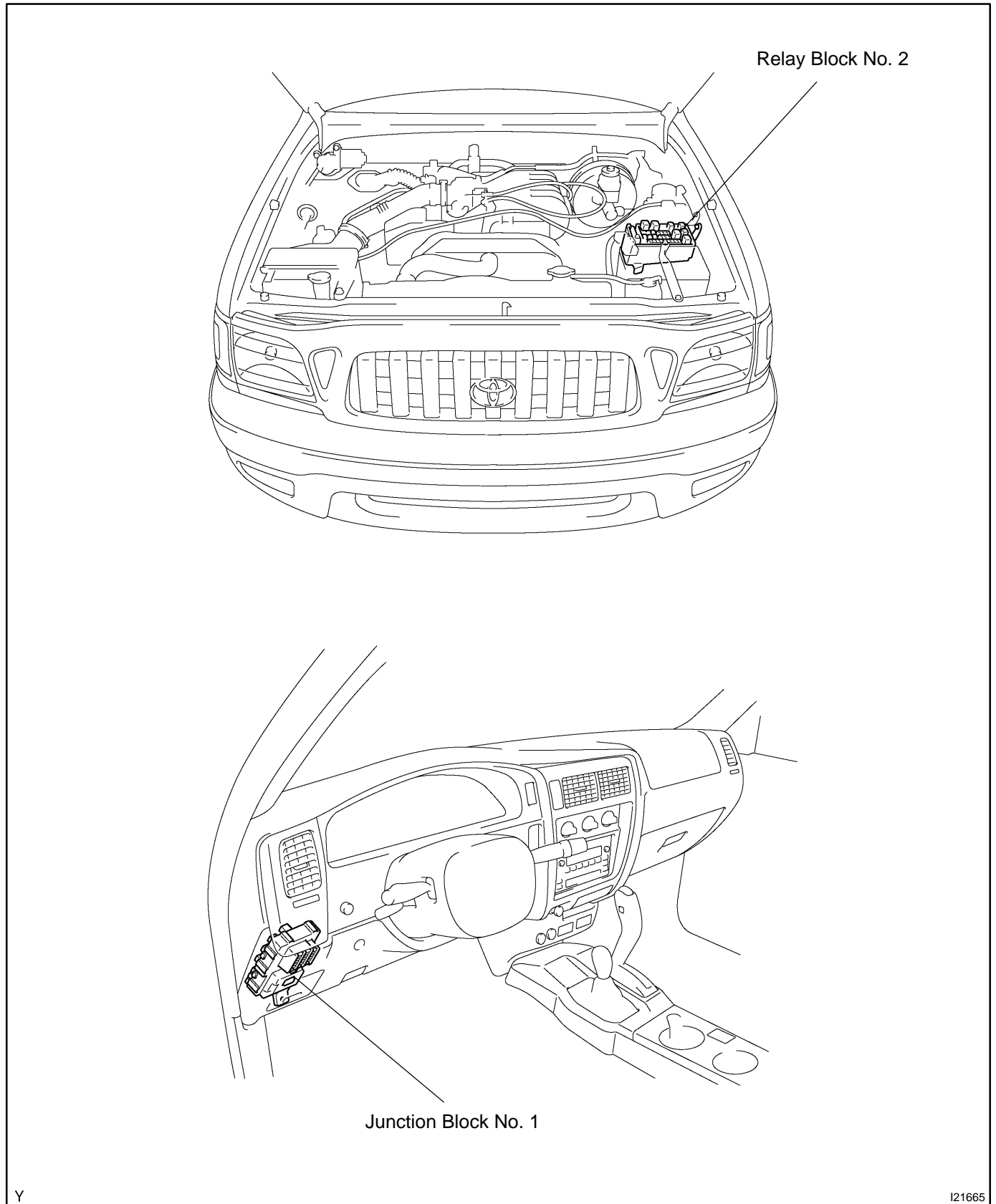


POWER SOURCE LOCATION

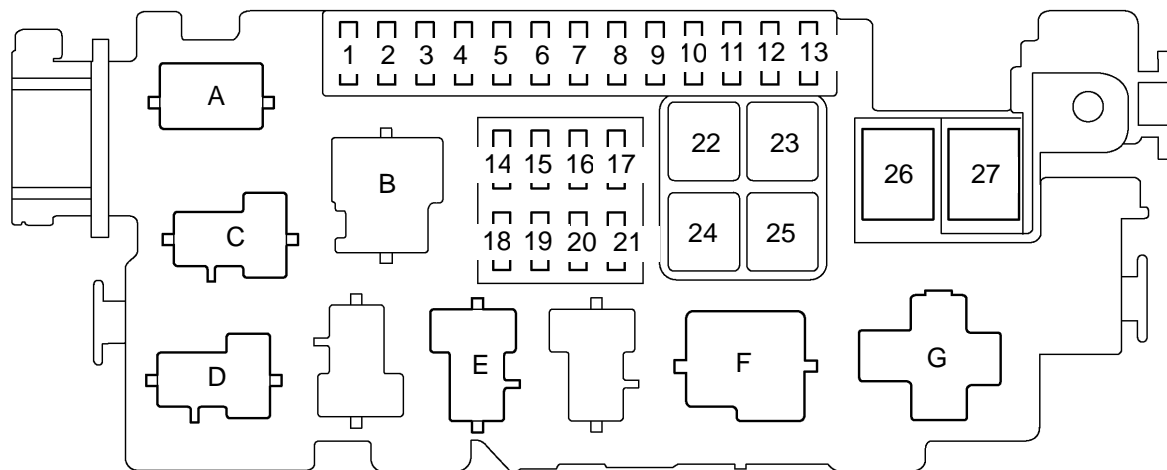
BE24A-02



Y

121665

Relay Block No. 2



Fuses

- 1. -
- 2. -
- 3. -
- 4. -
- 5. -
- 6. A.C 10 A
- 7. -
- 8. TAIL 10 A
- 9. HEAD (LO LH) 10 A
- 10. HEAD (LO RH) 10 A
- 11. HEAD (HI LH) 10 A
(w/ Daytime Running Light)
HEAD (LH)
(w/o Daytime Running Light)
- 12. HEAD (HI RH) 10 A
(w/ Daytime Running Light)
HEAD (RH)
(w/o Daytime Running Light)
- 13. DRL 7.5 A
- 14. EFI 20 A
- 15. OBD 7.5 A
- 16. DOME 15 A
- 17. -
- 18. -
- 19. -
- 20. POWER OUTLET 15 A
- 21. ALT-S 7.5 A
- 22. AM2 30 A
- 23. J/B 50 A

- 24. AM1 40 A
- 25. HEATER 50 A
- 26. ALT 120 A
- 27. ABS 60 A

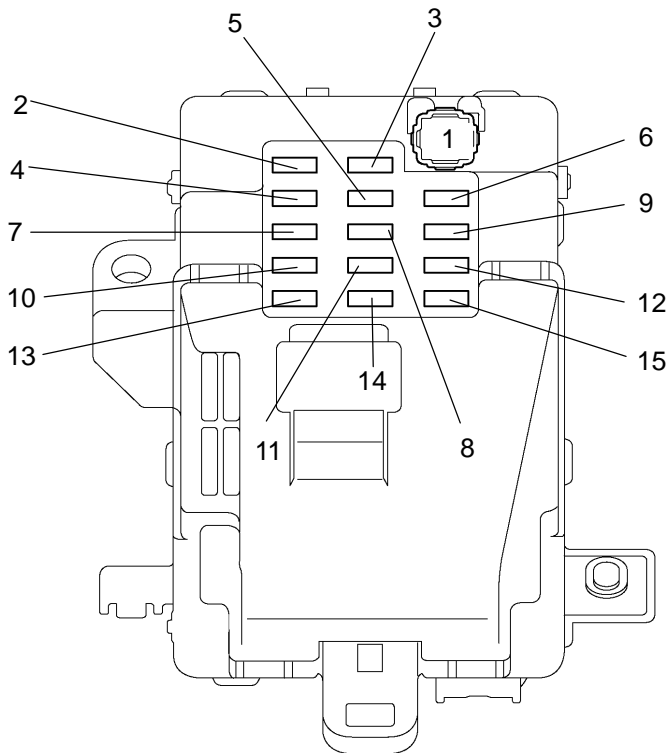
Relays

- A. DIMMER Relay
- B. HEAD Relay
- C. EFI Relay
- D. PWR OUTLET Relay
- E. TAIL Relay
- F. HEATER Relay
- G. STARTER Relay

Y

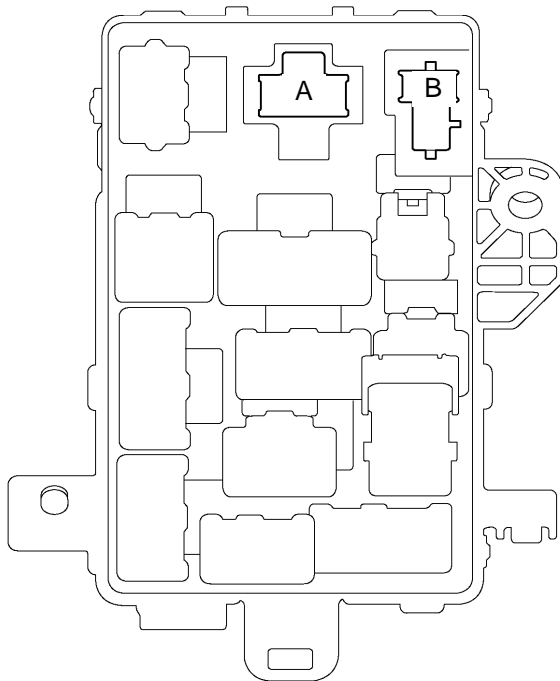
I21737

Junction Block No. 1



Fuses

1. POWER M-fuse	30 A
2. -	
3. ACC	15 A
4. ECU-IG	15 A
5. GAUGE	10 A
6. ECU-B	7.5 A
7. TURN	10 A
8. IGN	7.5 A
9. HORN-HAZ	15 A
10. WIP	20 A
11. -	
12. STA	7.5 A
13. 4WD	20 A
14. -	
15. STOP	10 A



Relays

- A. Flasher Relay
- B. POWER Relay