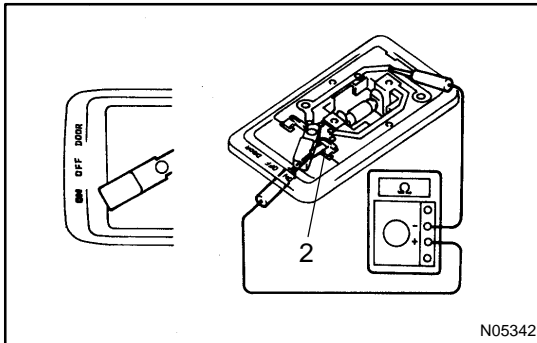


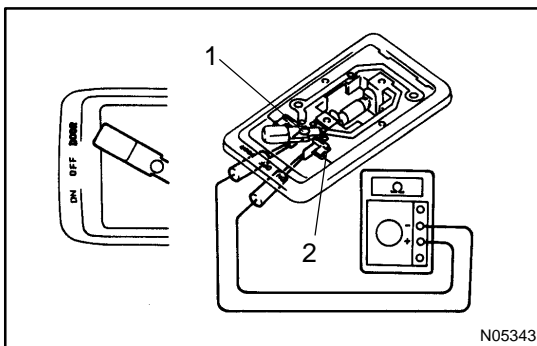
INSPECTION

1. **INSPECT PERSONAL LIGHT SWITCH CONTINUITY**
 - (a) Disconnect the connector from personal light switch.
 - (b) Turn the personal light switch ON, check that continuity exists between terminal 1 and body ground.

If operation is not as specified, replace the switch.

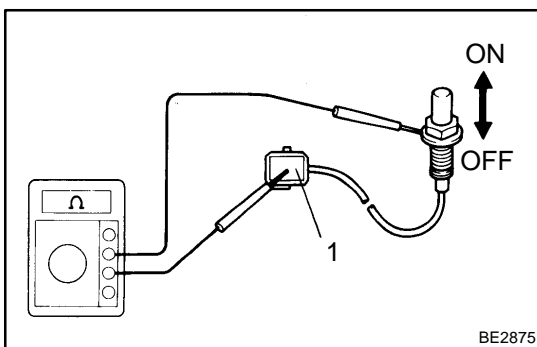


2. **INSPECT ROOM LIGHT SWITCH CONTINUITY**
 - (a) Disconnect the connector from room light switch.
 - (b) Turn the room light switch ON, check that continuity exists between terminal 2 and body ground.



- (c) Turn the room light switch to DOOR, check that there is continuity between terminals 1 and 2.

If operation is not as specified, replace the switch.



3. **INSPECT DOOR COURTESY SWITCH CONTINUITY**
 - (a) Check that continuity exists between terminal and the switch body in the ON position (switch pin released : opened door).
 - (b) Check that no continuity exists between terminal and the switch body in the OFF position (switch pin pushed in : closed door).

If operation is not as specified, replace the switch.