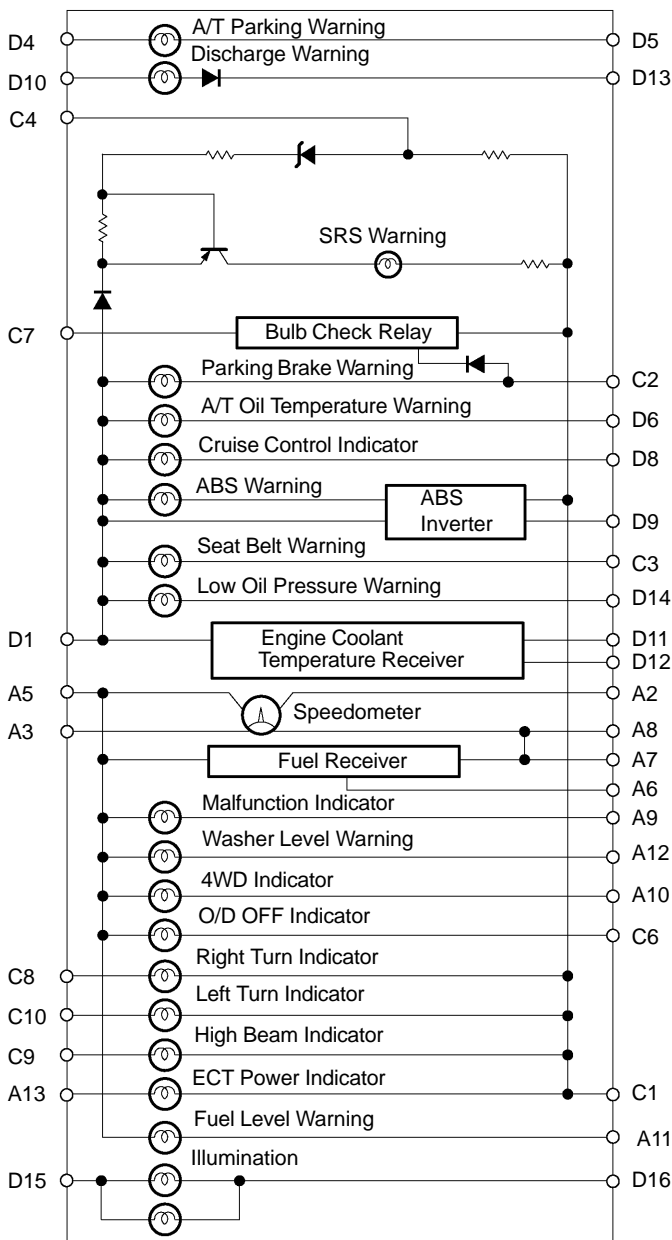
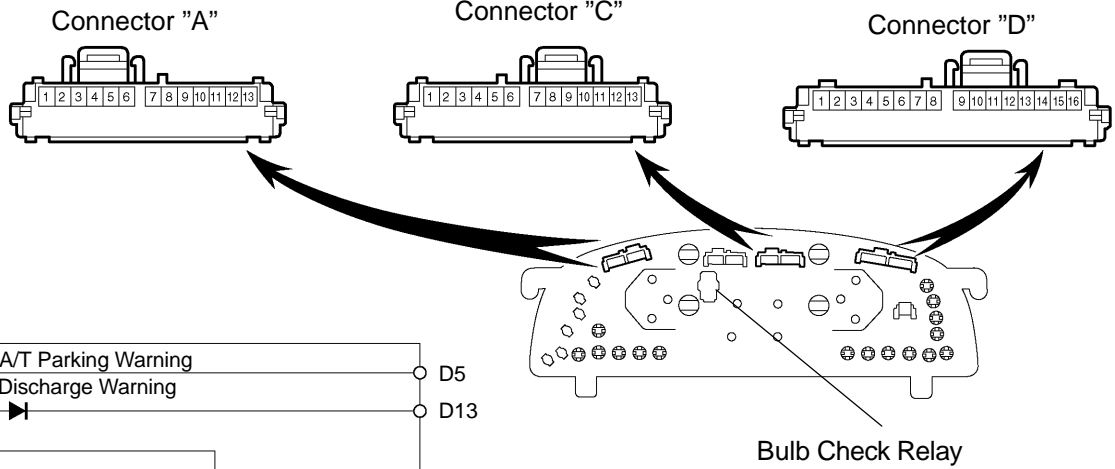


CIRCUIT

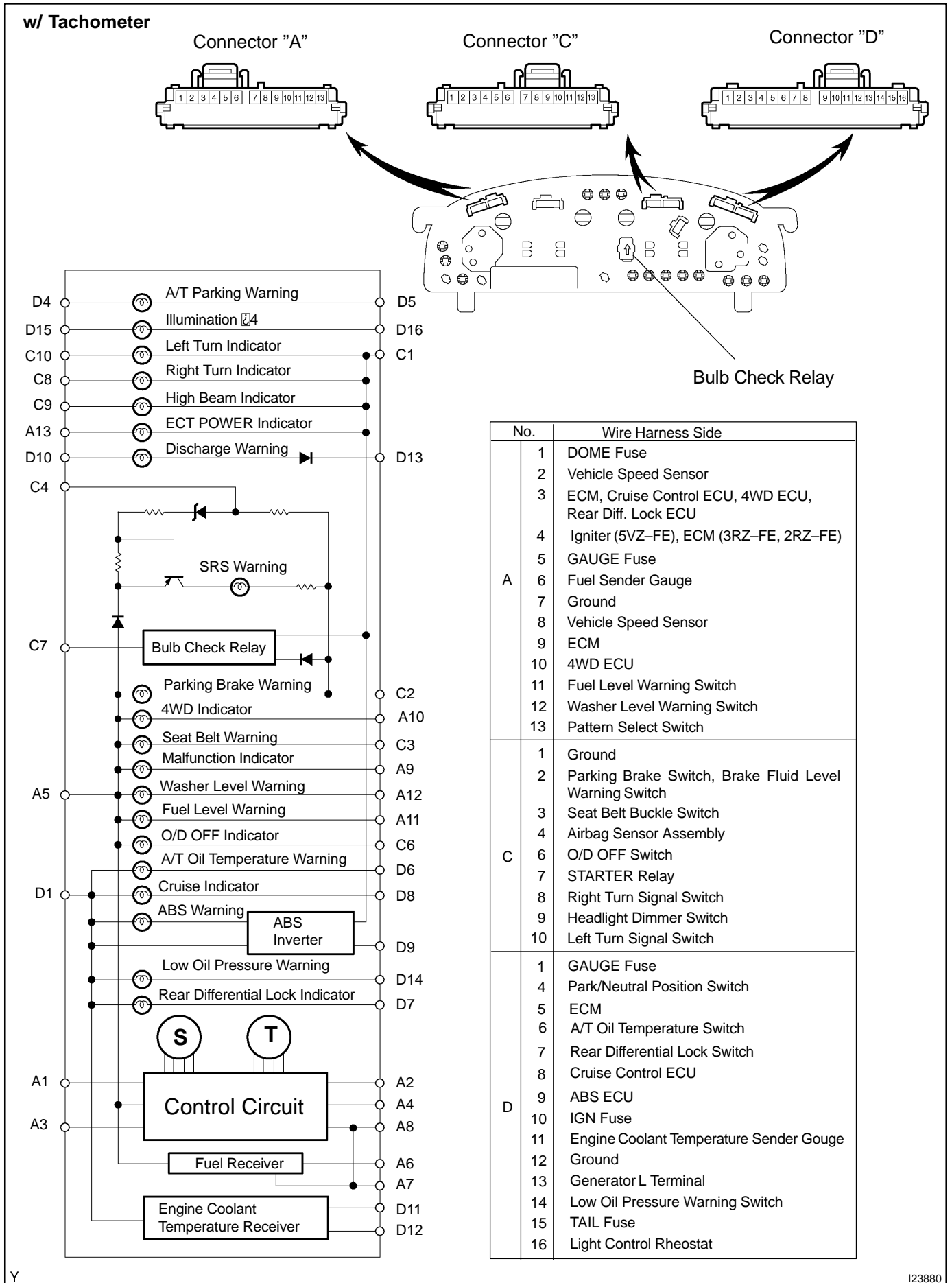
w/o Tachometer



No.	Wiring connector side	
A	2 Vehicle Speed Sensor	
	3 ECM, Cruise Control ECU, 4WD ECU	
	5 GAUGE Fuse	
	6 Fuel Sender Gauge	
	7 Ground	
	8 Vehicle Speed Sensor	
	9 ECM	
	10 4WD ECU	
	11 Fuel Level Warning Switch	
	12 Washer Level Warning Switch	
	13 Pattern Select Switch	
	C	1 Ground
		2 Parking Brake Switch, Brake Fluid Level Warning Switch
3 Body ECU		
4 Air Bag Sensor Assembly		
6 O/D OFF Switch		
7 STARTER Relay		
8 Right Turn Signal Switch		
9 Headlight Dimmer Switch		
10 Left turn Signal Switch		
D		1 GAUGE Fuse
	4 Park/Neutral Position Switch	
	5 ECM	
	6 A/T Oil Temperature Switch	
	8 Cruise Control ECU	
	9 ABS ECU	
	10 IGN Fuse	
	11 Engine Coolant Temperature Sender Gauge	
	12 Ground	
	13 Generator L Terminal	
	14 Low Oil Pressure Warning Switch	
	15 TAIL Fuse	
	16 Light Control Rheostat	

Y

123881



Y

I23880