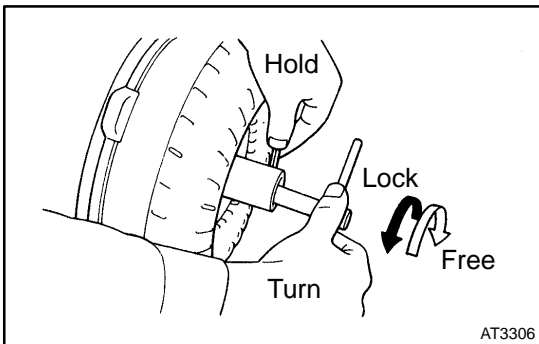


TORQUE CONVERTER CLUTCH AND DRIVE PLATE INSPECTION

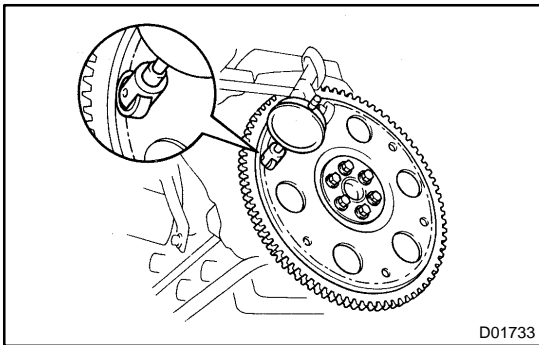
AT01N-01

1. INSPECT ONE-WAY CLUTCH

- (a) Install SST in the inner race of the one-way clutch.
SST 09350-20015 (09397-22020)
- (b) Install SST so that it fits in the notch of the converter hub and outer race of the one-way clutch.
SST 09350-20015 (09397-22020)



- (c) With the torque converter clutch held upright, the clutch should lock when turned counterclockwise, and rotate freely and smoothly clockwise.
If necessary, clean the converter clutch and retest the clutch. Replace the converter clutch if the clutch still fails the test.



2. MEASURE DRIVE PLATE RUNOUT AND INSPECT RING GEAR

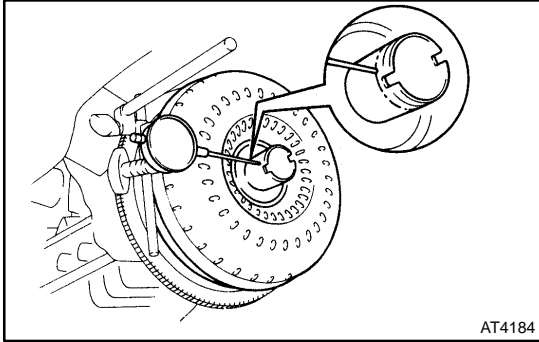
Set up a dial indicator and measure the drive plate runout.

Maximum runout: 0.20 mm (0.0079 in)

If runout is not within the specification or if the ring gear is damaged, replace the drive plate.

If installing a new drive plate, note the orientation of spacers and tighten the bolts.

Torque: 74 N·m (750 kgf·cm, 54 ft·lbf)



3. MEASURE TORQUE CONVERTER CLUTCH SLEEVE RUNOUT

Temporarily mount the torque converter clutch to the drive plate. Set up a dial indicator and measure the torque converter clutch sleeve runout.

Maximum runout: 0.30 mm (0.0118 in.)

If runout is not within the specification, try to correct by reorienting the installation of the converter.

HINT:

Mark the position of the torque converter clutch to ensure correct installation.