

INSPECTION

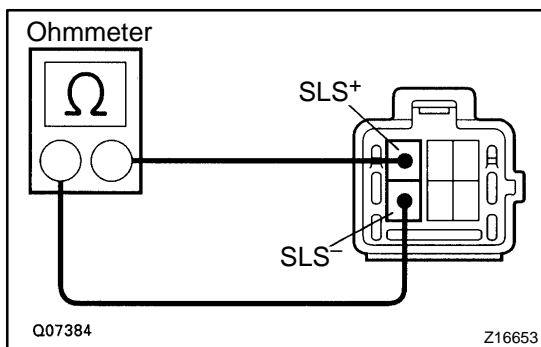
1. INSPECT SHIFT LOCK CONTROL ECU

Using a voltmeter, measure the voltage at each terminal.

HINT:

Do not disconnect the ECU connector.

Terminal (Symbols)	Measuring Condition	Voltage (V)
A1 (ACC) – A7 (E)	Ignition switch ACC	10 – 14
A3 (IG) – A7 (E)	Ignition switch ON	10 – 14
A8 (STP) – A7 (E)	Depress brake pedal	10 – 14
A6 (KLS+) – A7 (E)	1. Ignition switch ACC and P position	0
	2. R, N, D, 2, L position	7.5 – 11
	3. R, N, D, 2, L position (After—approx. 1 second)	6 – 9.5
B3 (SLS+) – B6 (SLS-)	1. Ignition switch ON and P position	0
	2. Depress brake pedal	8 – 13.5
	3. Depress brake pedal (After—approx. 20 seconds)	6 – 8.5
	4. R, N, D, 2, L position	0
B5 (P1) – B1 (P)	1. Ignition switch ON, P position and depress brake pedal	0
	2. R, N, D, 2, L position	9 – 13.5
B4 (P2) – B1 (P)	1. Ignition switch ACC and P position	9 – 13.5
	2. R, N, D, 2, L position	0

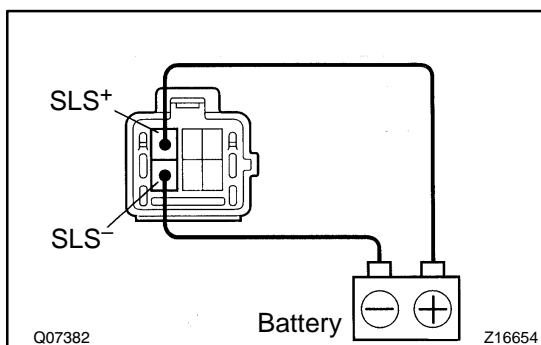


2. INSPECT SHIFT LOCK SOLENOID

- (a) Disconnect the solenoid connector.
- (b) Using an ohmmeter, measure the resistance at each terminal.

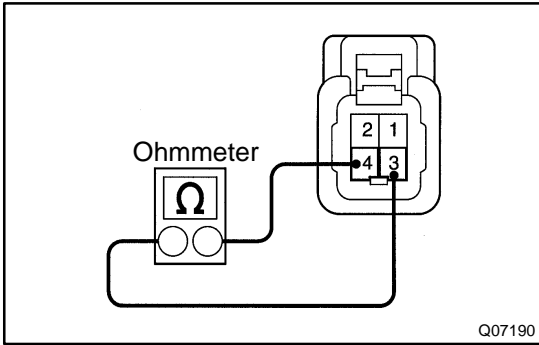
Standard resistance: 20 – 28 Ω

If resistance value is not as specified, replace the solenoid.



- (c) Apply battery positive voltage at each terminal. At this time, check that the solenoid operates.

If the solenoid does not operate, replace the solenoid.

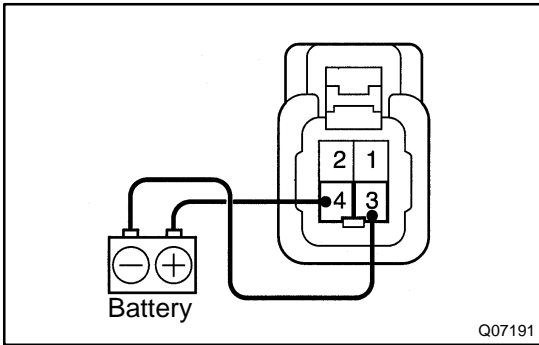


3. INSPECT KEY INTERLOCK SOLENOID

- (a) Disconnect the solenoid connector.
- (b) Using an ohmmeter, measure the resistance between terminals 3 and 4.

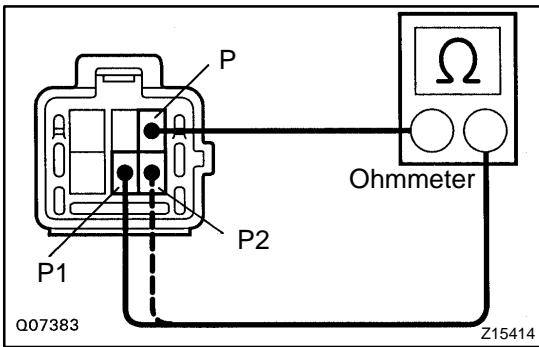
Standard resistance: 12 – 17 Ω

If resistance value is not as specified, replace the solenoid.



- (c) Touch the solenoid with your finger and check that solenoid operation can be felt when battery positive voltage is applied intermittently to the terminals 1 and 2.

If the solenoid does not operate, replace the solenoid.



4. INSPECT SHIFT LOCK CONTROL SWITCH

Inspect that there is continuity between each terminal.

Shift position	Tester connection	Specified value
*1 P position	P1 – P or E	Continuity
*2 P position	P1 – P or E P2 – P or E	Continuity
R, N, D, 2, L position	P2 – P or E	Continuity

*1: Floor shift release button is not pushed.

*2: Floor shift release button is pushed.

If the continuity is not as specified, replace the switch.