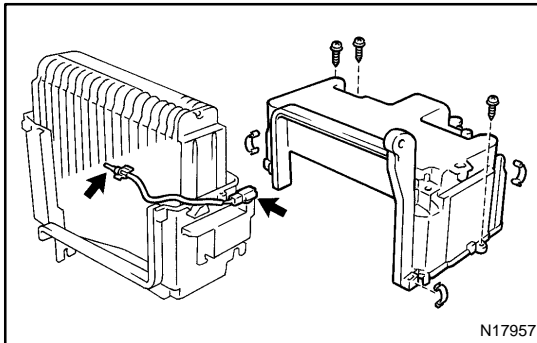


## REMOVAL

### 1. REMOVE EVAPORATOR (See page [AC-59](#))



### 2. REMOVE THERMISTOR

- (a) Disconnect the connector clamp.
- (b) Pull out the thermistor from evaporator.