

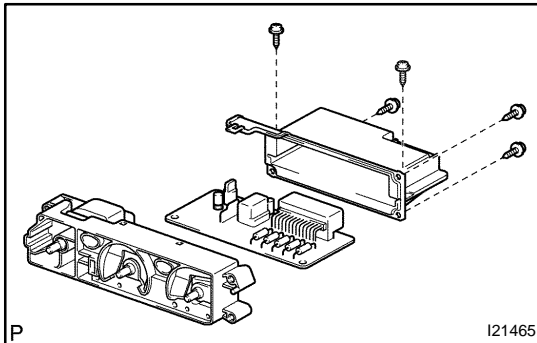
DISASSEMBLY

1. REMOVE A/C SWITCH KNOB AND REC SWITCH KNOB

Using a small screwdriver, pry out the 2 knobs.

HINT:

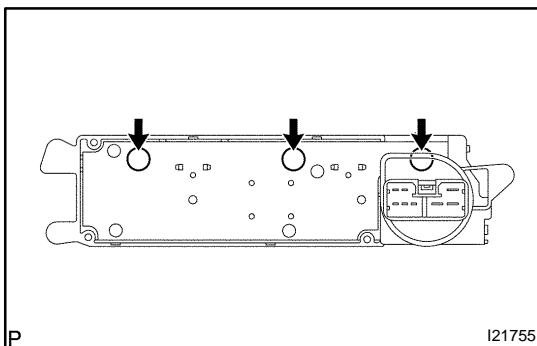
Tape the small screwdriver tip before use.



2. REMOVE A/C AMPLIFIER

(a) Remove the 5 screws.

(b) Remove the A/C control panel case and amplifier.



3. REMOVE BULB

Using a screwdriver, turn the bulb to the left and pull out the bulb.