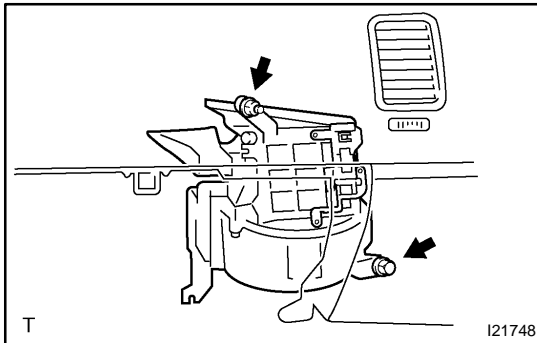


REMOVAL

1. REMOVE FRONT DOOR SCUFF PLATE RH
2. REMOVE COWL SIDE TRIM RH
3. REMOVE COOLING UNIT (See page [AC-26](#))



4. REMOVE BLOWER UNIT
 - (a) Disconnect the connector from the blower motor.
 - (b) Disconnect the servomotor connector from the air inlet servomotor.
 - (c) Remove the nut, bolt and blower unit.