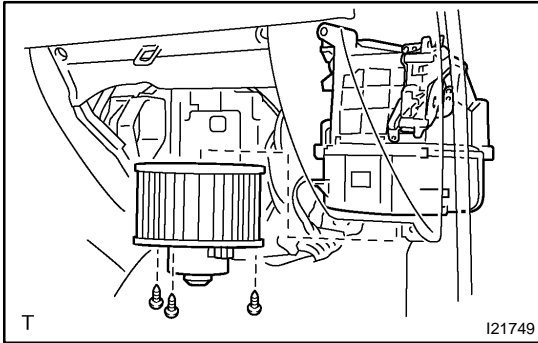


BLOWER MOTOR INSPECTION

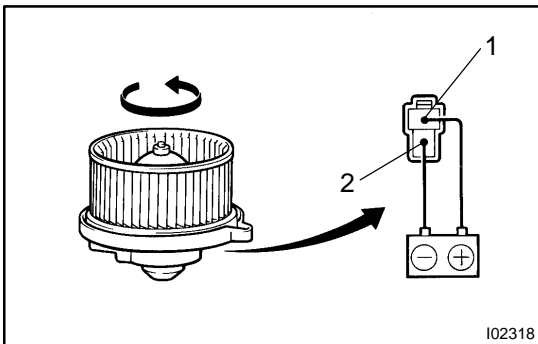
AC3FD-01

1. REMOVE GLOVE COMPARTMENT PARTS (See page [BO-52](#))



2. REMOVE BLOWER MOTOR

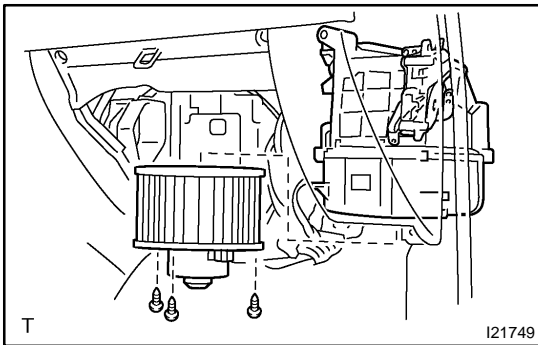
- (a) Disconnect the motor connector from the blower motor.
- (b) Remove the 3 screws and motor.



3. INSPECT BLOWER MOTOR OPERATION

Connect the positive (+) lead from the battery to terminal 1 and the negative (-) lead to terminal 2, then check that the motor operations smoothly.

If operation is not as specified, replace the blower motor.



4. INSTALL BLOWER MOTOR

- (a) Install the motor with the 3 screws.
- (b) Connect the motor connector to the blower motor.

5. INSTALL GLOVE COMPARTMENT PARTS (See page [BO-52](#))