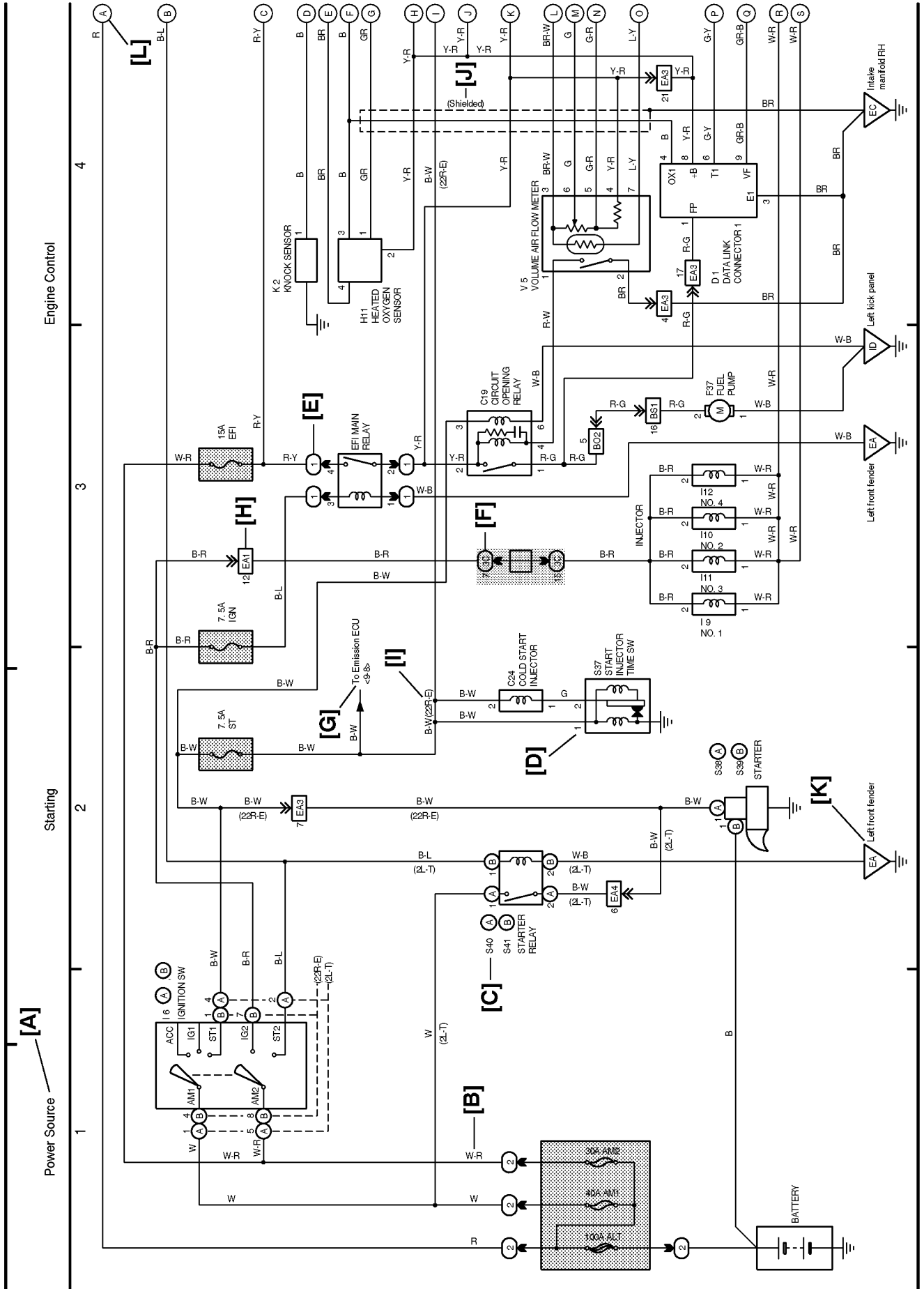


M OVERALL ELECTRICAL WIRING DIAGRAM

* The system shown here is an EXAMPLE ONLY. It is different to the actual circuit shown in the wiring diagram section.

HOW TO READ THIS SECTION



[A] : System Title

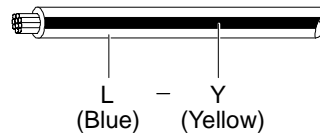
[B] : Indicates the wiring color.

Wire colors are indicated by an alphabetical code.

- | | | |
|-----------|------------|------------------|
| B = Black | W = White | BR = Brown |
| L = Blue | V = Violet | SB = Sky Blue |
| R = Red | O = Orange | LG = Light Green |
| P = Pink | Y = Yellow | GR = Gray |
| G = Green | | |

The first letter indicates the basic wire color and the second letter indicates the color of the stripe.

Example: L - Y

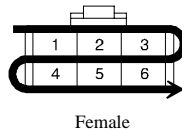


[C] : The position of the parts is the same as shown in the wiring diagram and wire routing.

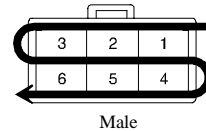
[D] : Indicates the pin number of the connector. The numbering system is different for female and male connectors.

Example : Numbered in order from upper left to lower right

Numbered in order from upper right to lower left



Female



Male

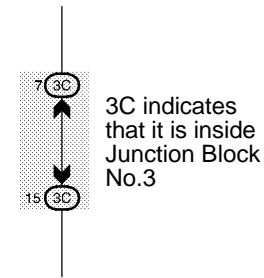
The numbering system for the overall wiring diagram is the same as above

[E] : Indicates a Relay Block. No shading is used and only the Relay Block No. is shown to distinguish it from the J/B.

Example : ① Indicates Relay Block No.1

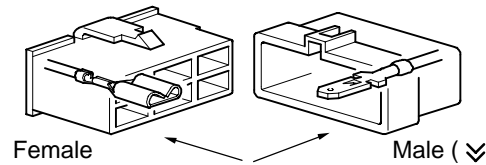
[F] : Junction Block (The number in the circle is the J/B No. and the connector code is shown beside it). Junction Blocks are shaded to clearly separate them from other parts.

Example:



[G] : Indicates related system.

[H] : Indicates the wiring harness and wiring harness connector. The wiring harness with male terminal is shown with arrows (↘). Outside numerals are pin numbers.



[I] : () is used to indicate different wiring and connector, etc. when the vehicle model, engine type, or specification is different.

[J] : Indicates a shielded cable.



[K] : Indicates and located on ground point.

[L] : The same code occurring on the next page indicates that the wire harness is continuous.

SYSTEM INDEX

SYSTEMS	LOCATION	SYSTEMS	LOCATION
ABS	16-2	Key Reminder and Belt Warning	11-2
Air Conditioning	29-2	Light Auto Turn Off	11-3
Automatic Transmission (2RZ-FE)	14-2	Power Outlet	25-4
Back-Up Light	17-4	Power Seat	24-4
Charging	2-4	Power Source	1~29-1
Cigarette Lighter and Clock	26-4	Power Window	19-2
Combination Meter (w/ Tachometer)	27-2	Radio and Player	26-2
Combination Meter (w/o Tachometer)	28-2	Rear Differential Lock	22-2
Cruise Control	15-2	Remote Control Mirror (w/ Power Window)	23-3
Door Lock Control	18-2	Remote Control Mirror (w/o Power Window)	24-2
Electronically Controlled Transmission (3RZ-FE)	13-2	Shift Lock	25-2
Electronically Controlled Transmission (5VZ-FE)	12-2	SRS	17-2
Engine Control (2RZ-FE)	6-2	Starting (3RZ-FE, 2RZ-FE)	2-2
Engine Control (3RZ-FE)	5-2	Starting (5VZ-FE)	1-2
Engine Control (5VZ-FE)	4-2	Stop Light	15-4
Headlight (w/ Daytime Running Light)	8-2	Taillight and Illumination	9-2
Headlight (w/o Daytime Running Light)	7-2	Turn Signal and Hazard Warning Light	10-2
Horn	10-4	Wiper and Washer	23-2
Ignition (3RZ-FE, 2RZ-FE)	3-2	4WD (w/ 2-4 Select SW)	20-2
Ignition (5VZ-FE)	1-4	4WD (w/o 2-4 Select SW)	21-2
Interior Light	11-4		