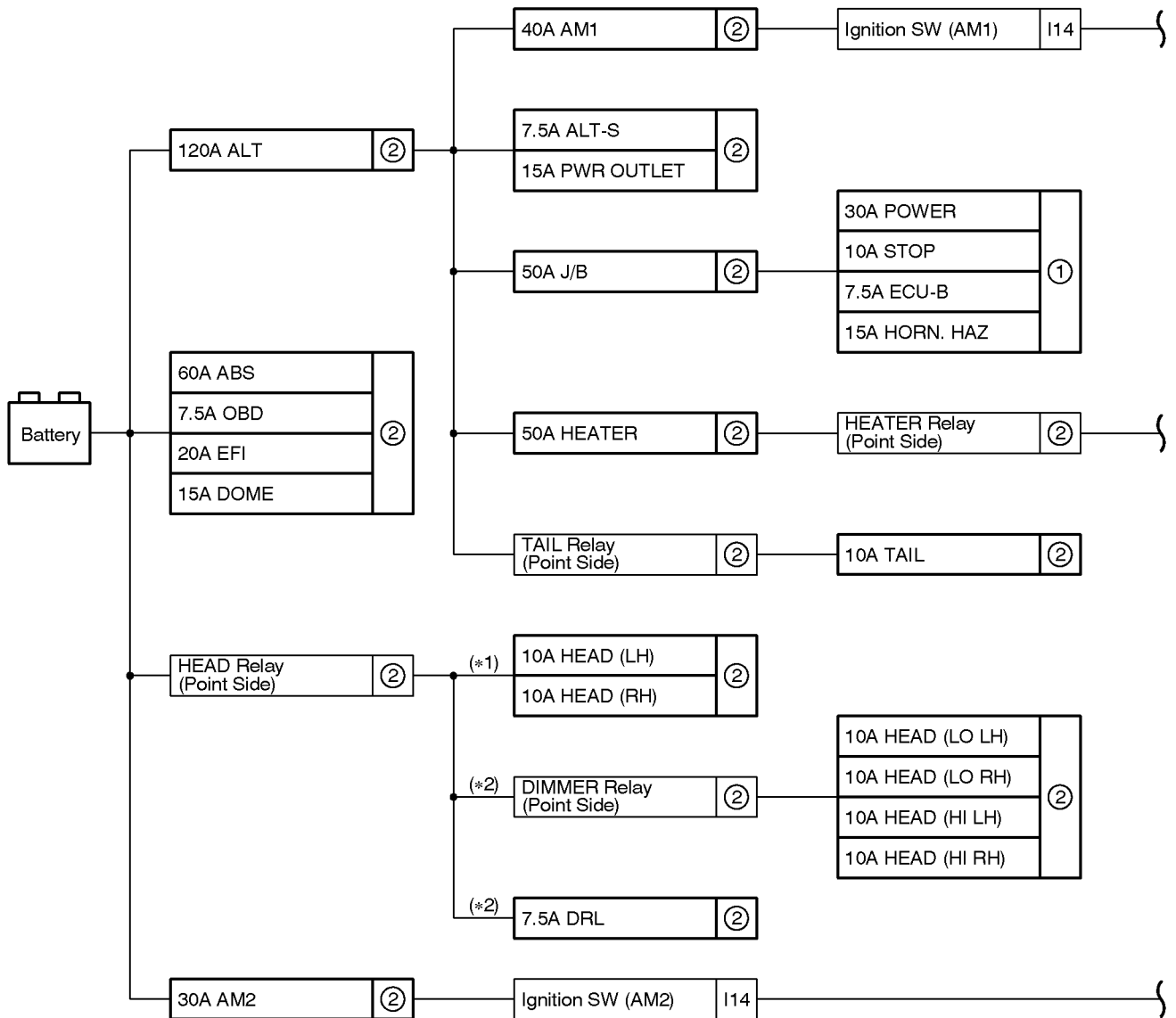


# J POWER SOURCE (Current Flow Chart)

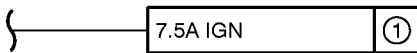
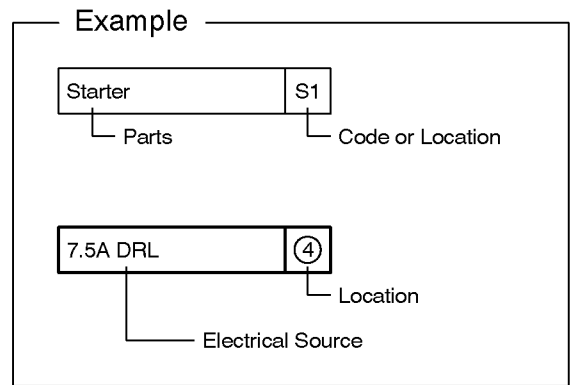
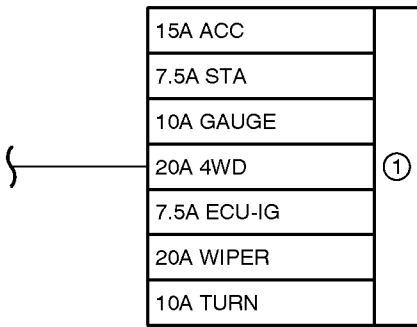
The chart below shows the route by which current flows from the battery to each electrical source (Fusible Link, Circuit Breaker, Fuse, etc.) and other parts.



[LOCATION] ① : J/B No.1 (See page 22)

② : R/B No.2 (See page 21)

\*1 : w/o Daytime Running Light  
 \*2 : w/ Daytime Running Light



## J POWER SOURCE (Current Flow Chart)

### R/B No.2 (See Page 21)

Fuse		System	Page
7.5A	ALT-S	Charging	68
7.5A	DRL	Headlight (w/ Daytime Running Light)	96
7.5A	OBD	Engine Control (2RZ-FE)	86
		Engine Control (3RZ-FE)	78
		Engine Control (5VZ-FE)	70
10A	A.C	Air Conditioning	206
10A	HEAD (HI LH)	Headlight (w/ Daytime Running Light)	96
10A	HEAD (HI RH)	Headlight (w/ Daytime Running Light)	96
10A	HEAD (LH)	Headlight (w/o Daytime Running Light)	94
10A	HEAD (LO LH)	Headlight (w/ Daytime Running Light)	96
10A	HEAD (LO RH)	Headlight (w/ Daytime Running Light)	96
10A	HEAD (RH)	Headlight (w/o Daytime Running Light)	94
10A	TAIL	Cigarette Lighter and Clock	186
		Combination Meter (w/ Tachometer)	194
		Combination Meter (w/o Tachometer)	200
		Engine Control (2RZ-FE)	86
		Engine Control (3RZ-FE)	78
		Taillight and Illumination	102
15A	DOME	Cigarette Lighter and Clock	186
		Combination Meter (w/ Tachometer)	194
		Door Lock Control	164
		Interior Light	100
		Key Reminder and Seat Belt Warning	182
		Light Auto Turn Off	112
		Power Window	168
		Radio and Player	190
15A	PWR OUTLET	Power Outlet	184
20A	EFI	Automatic Transmission (2RZ-FE)	126
		Electronically Controlled Transmission (3RZ-FE)	120
		Electronically Controlled Transmission (5VZ-FE)	114
		Engine Control (2RZ-FE)	86
		Engine Control (3RZ-FE)	78
		Engine Control (5VZ-FE)	70
30A	AM2	Engine Control (2RZ-FE)	86
		Engine Control (3RZ-FE)	78
		Engine Control (5VZ-FE)	70
		Ignition (3RZ-FE, 2RZ-FE)	66
		Starting and Ignition (5VZ-FE)	58
40A	AM1	Engine Control (2RZ-FE)	86
		Engine Control (3RZ-FE)	78
		Engine Control (5VZ-FE)	70

\* These are the page numbers of the first page on which the related system is shown.

Fuse		System	Page
40A	AM1	Starting (3RZ-FE, 2RZ-FE)	62
		Starting and Ignition (5VZ-FE)	58
50A	HEATER	Air Conditioning	206
60A	ABS	ABS	136
120A	ALT	Charging	68
		Engine Control (2RZ-FE)	86
		Engine Control (3RZ-FE)	78
		Engine Control (5VZ-FE)	70
		Light Auto Turn Off	112
		Power Outlet	184
		Starting (3RZ-FE, 2RZ-FE)	62
		Starting and Ignition (5VZ-FE)	58
		Taillight and Illumination	102

### J/B No.1 (See Page 22)

Fuse		System	Page
7.5A	ECU-B	Air Conditioning	206
		Combination Meter (w/ Tachometer)	194
		Combination Meter (w/o Tachometer)	200
		Headlight (w/ Daytime Running Light)	96
		SRS	143
7.5A	ECU-IG	ABS	136
		Automatic Transmission (2RZ-FE)	126
		Cruise Control	130
		Door Lock Control	164
		Interior Light	100
		Key Reminder and Seat Belt Warning	184
		Light Auto Turn Off	112
		Power Window	168
		Shift Lock	162
7.5A	IGN	Automatic Transmission (2RZ-FE)	126
		Charging	68
		Combination Meter (w/ Tachometer)	196
		Combination Meter (w/o Tachometer)	200
		Electronically Controlled Transmission (3RZ-FE)	120
		Electronically Controlled Transmission (5VZ-FE)	114
		Engine Control (2RZ-FE)	86
		Engine Control (3RZ-FE)	78
		Engine Control (5VZ-FE)	70
		SRS	143
7.5A	STA	Automatic Transmission (2RZ-FE)	126
		Electronically Controlled Transmission (3RZ-FE)	120
		Electronically Controlled Transmission (5VZ-FE)	114
		Engine Control (2RZ-FE)	86

\* These are the page numbers of the first page on which the related system is shown.

## J POWER SOURCE (Current Flow Chart)

Fuse		System	Page
7.5A	STA	Engine Control (3RZ-FE)	78
		Engine Control (5VZ-FE)	70
		Starting (3RZ-FE, 2RZ-FE)	62
		Starting and Ignition (5VZ-FE)	58
10A	GAUGE	ABS	136
		Air Conditioning	206
		Automatic Transmission (2RZ-FE)	126
		Back-Up Light	110
		Charging	68
		Combination Meter (w/ Tachometer)	194
		Combination Meter (w/o Tachometer)	200
		Cruise Control	130
		Electronically Controlled Transmission (3RZ-FE)	120
		Electronically Controlled Transmission (5VZ-FE)	114
		Engine Control (2RZ-FE)	86
		Engine Control (3RZ-FE)	78
		Engine Control (5VZ-FE)	70
		Headlight (w/ Daytime Running Light)	96
		Key Reminder and Seat Belt Warning	182
Rear Differential Lock	158		
Starting (3RZ-FE, 2RZ-FE)	62		
Starting and Ignition (5VZ-FE)	58		
4WD (w/ 2-4 Select SW)	148		
4WD (w/o 2-4 Select SW)	154		
10A	STOP	ABS	136
		Automatic Transmission (2RZ-FE)	126
		Cruise Control	130
		Electronically Controlled Transmission (3RZ-FE)	120
		Electronically Controlled Transmission (5VZ-FE)	114
		Engine Control (2RZ-FE)	86
		Engine Control (3RZ-FE)	78
		Engine Control (5VZ-FE)	70
		Shift Lock	162
Stop Light	108		
10A	TURN	Turn Signal and Hazard Warning Light	106
15A	ACC	Cigarette Lighter and Clock	186
		Power Outlet	184
		Radio and Player	190
		Remote Control Mirror (w/ Power Window)	174
		Remote Control Mirror (w/o Power Window)	176
		Shift Lock	162
SRS	143		
15A	HORN. HAZ	Horn	140
		Turn Signal and Hazard Warning Light	106

\* These are the page numbers of the first page on which the related system is shown.

Fuse		System	Page
20A	4WD	Rear Differential Lock	<a href="#">158</a>
		4WD (w/ 2-4 Select SW)	<a href="#">148</a>
		4WD (w/o 2-4 Select SW)	<a href="#">154</a>
20A	WIPER	Wiper and Washer (w/ INT Time SW Mechanism)	<a href="#">178</a>
		Wiper and Washer (w/o INT Time SW Mechanism)	<a href="#">180</a>
30A	POWER	Door Lock Control	<a href="#">164</a>
		Power Seat	<a href="#">188</a>
		Power Window	<a href="#">168</a>

\* These are the page numbers of the first page on which the related system is shown.