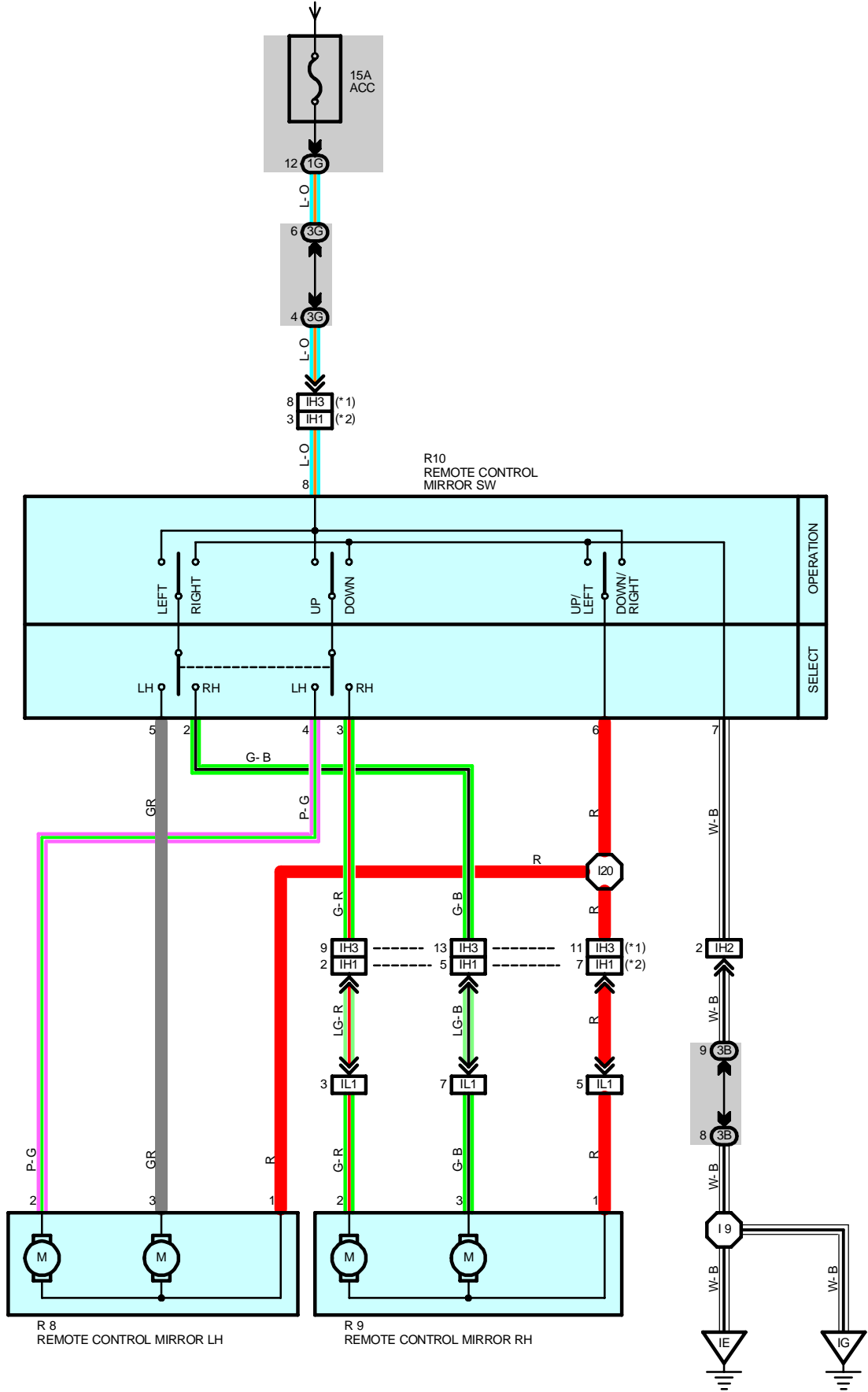


REMOTE CONTROL MIRROR (w/ POWER WINDOW)

FROM POWER SOURCE SYSTEM (SEE PAGE 54)

* 1 : DOUBLE CAB
* 2 : EXCEPT DOUBLE CAB



SERVICE HINTS**R10 REMOTE CONTROL MIRROR SW**

- 8-GROUND : Approx. **12** volts with ignition SW at **ACC** or **ON** position
 6-7 : Continuity with operation SW at **UP** or **LEFT** position
 8-6 : Continuity with operation SW at **DOWN** or **RIGHT** position

 : **PARTS LOCATION**

Code	See Page	Code	See Page	Code	See Page
R8	36 (Double Cab)	R9	36 (Double Cab)	R10	36 (Double Cab)
	37 (Except Double Cab)		37 (Except Double Cab)		37 (Except Double Cab)

 : **JUNCTION BLOCK AND WIRE HARNESS CONNECTOR**

Code	See Page	Junction Block and Wire Harness (Connector Location)
1G	23	Cowl Wire and J/B No.1 (Lower Finish Panel)
3B	24	Cowl Wire and J/B No.3 (Behind the Instrument Panel Left)
3G	26	Cowl Wire and J/B No.3 (Behind the Instrument Panel Center)

 : **CONNECTOR JOINING WIRE HARNESS AND WIRE HARNESS**

Code	See Page	Joining Wire Harness and Wire Harness (Connector Location)
IH1	44	Front Door LH Wire and Cowl Wire (Left Kick Panel)
IH2		
IH3		
IL1	44	Front Door RH Wire and Cowl Wire (Right Kick Panel)

 : **GROUND POINTS**

Code	See Page	Ground Points Location
IE	44	Around the Right Edge of the Reinforcement
IG	44	Around the Left Edge of the Reinforcement

 : **SPLICE POINTS**

Code	See Page	Wire Harness with Splice Points	Code	See Page	Wire Harness with Splice Points
I9	44	Cowl Wire	I20	44	Front Door LH Wire