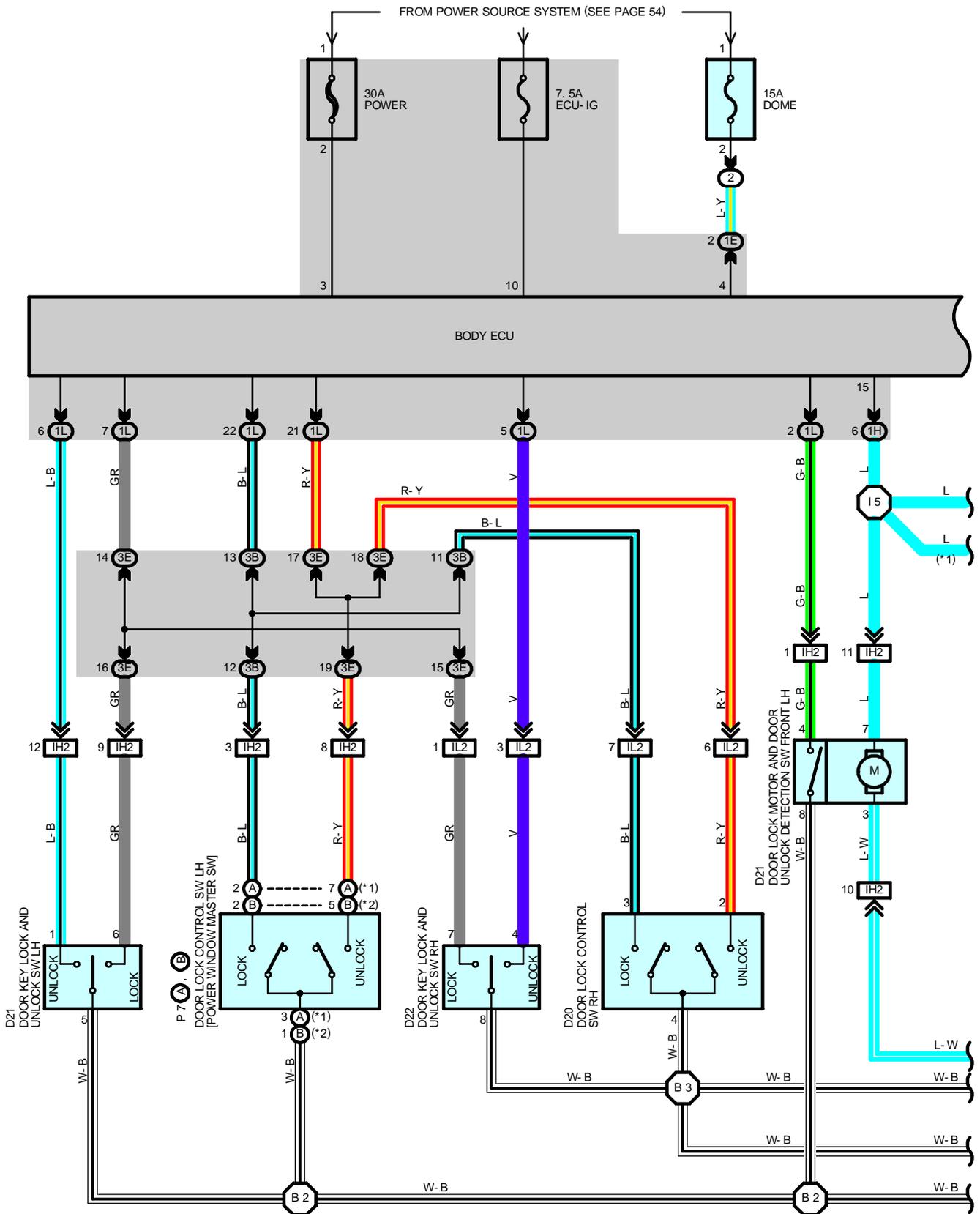
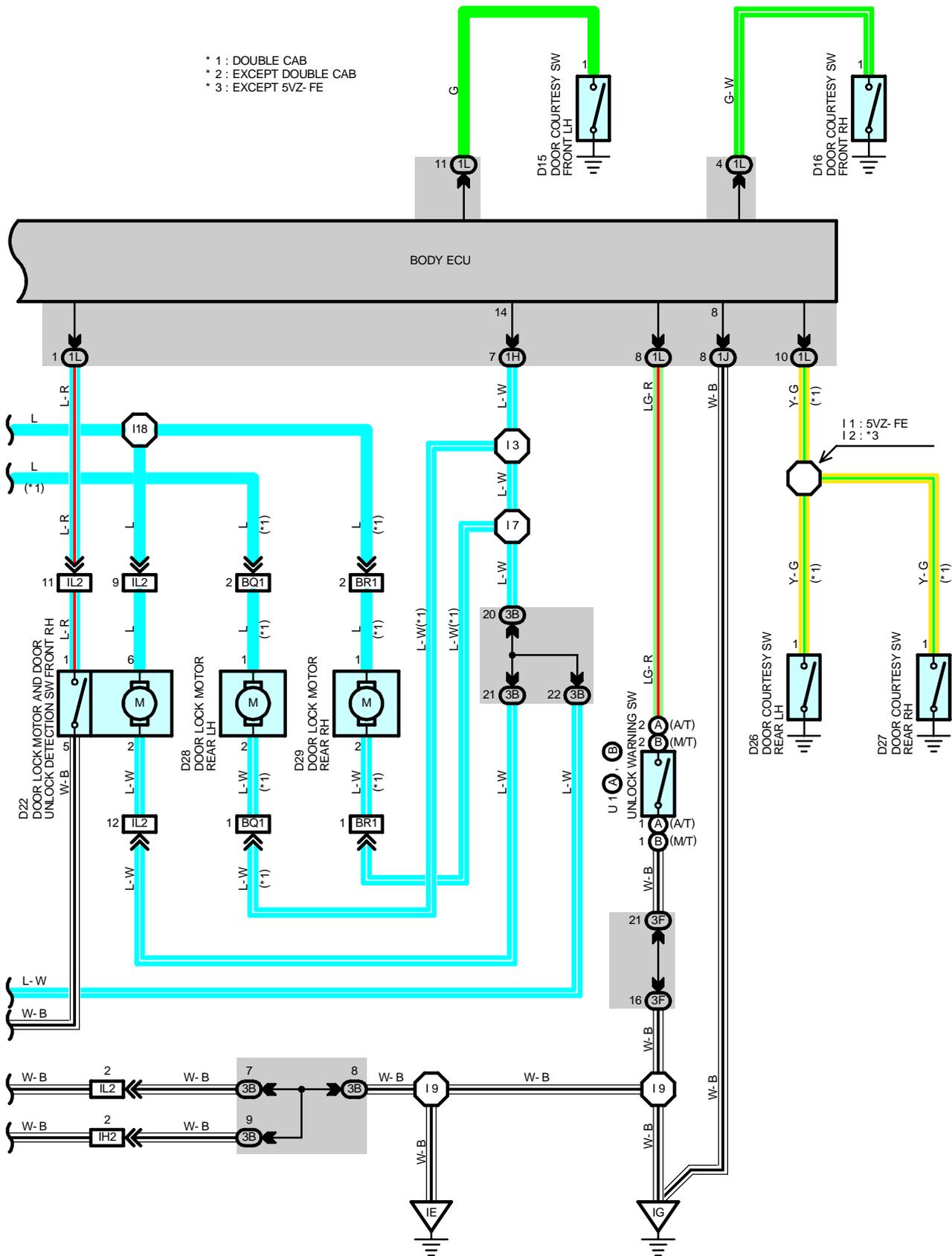


DOOR LOCK CONTROL





DOOR LOCK CONTROL

SYSTEM OUTLINE

Current always flows to TERMINAL 3 of the body ECU through the POWER fuse.

1. MANUAL LOCK OPERATION

To push the door lock control SW or door key lock and unlock SW to LOCK position, a lock signal is input to the body ECU and causes the ECU to function. Current flows from TERMINAL 3 of the ECU to TERMINAL 14 to TERMINALS 3 (Front LH), 2 (Front RH, rear) of the door lock motors to TERMINALS 7 (Front LH), 6 (Front RH), 1 (Rear) to TERMINAL 15 of the ECU to TERMINAL 8 to GROUND and the door lock motor causes the door to lock.

2. MANUAL UNLOCK OPERATION

To push the door lock control SW or door key lock and unlock SW to UNLOCK position, an unlock signal is input to the body ECU and causes the ECU to function. Current flows from TERMINAL 3 of the ECU to TERMINAL 15 to TERMINALS 7 (Front LH), 6 (Front RH), 1 (Rear) of the door lock motors to TERMINALS 3 (Front LH), 2 (Front RH, rear) to TERMINAL 14 of the ECU to TERMINAL 8 to GROUND and the door lock motor causes the door to unlock.

3. IGNITION KEY REMINDER OPERATION

* Operating door lock knob (in door lock motor operation)

With ignition key in cylinder (Unlock warning SW on), when any door is opened and locked using door lock knob (Door lock motor), all doors are locked once but each door is unlocked soon by the function of the body ECU. As a result, current flows from TERMINAL 3 of the ECU to TERMINAL 15 to TERMINALS 7 (Front LH), 6 (Front RH), 1 (Rear) of the door lock motors to TERMINALS 3 (LH), 2 (Front RH, rear) to TERMINAL 14 of the ECU to TERMINAL 8 to GROUND and causes all the doors to unlock.

* Operating door lock control SW or door key lock and unlock SW

With ignition key in cylinder (Unlock warning SW on), when any door is opened and locked using the door lock control SW or door key lock and unlock SW, all doors are locked once but each door is unlocked by the function of the SW contained in motor, which inputs the signal to the body ECU. According to this input signal, current flows from TERMINAL 3 of the ECU to TERMINAL 15 to TERMINALS 7 (Front LH), 6 (Front RH), 1 (Rear) of the door lock motors to TERMINALS 3 (Front LH), 2 (Front RH, rear) to TERMINAL 14 of the ECU to TERMINAL 8 to GROUND and causes all the doors to unlock.

SERVICE HINTS

BODY ECU

8-GROUND : Always continuity.

3, 4-GROUND : Always approx. 12 volts

15-GROUND : Approx. 12 volts for 0.2 seconds with following operations.

* Door lock control SW unlocked.

* Door lock control SW locked with ignition key in cylinder and LH door open.

(Ignition key reminder function)

* Door lock knob locked with ignition key in cylinder and LH door open. (Ignition key reminder function)

* Unlocking the LH, RH door cylinder with key.

14-GROUND : Approx. 12 volts for 0.2 seconds with following operations.

* Door lock control SW locked.

* Locking the LH, RH door cylinder with key.

D15, D16, D26, D27 DOOR COURTESY SW FRONT REAR LH, RH

1-GROUND : Closed with door open.

D21, D22 DOOR LOCK MOTOR, DOOR UNLOCK DETECTION SW AND DOOR KEY LOCK AND UNLOCK SW LH, RH

4-8 (LH), 1-5 (RH) : Closed with UNLOCK position.

U1 (A), (B) UNLOCK WARNING SW

(A) 1-(A) 2, (B) 1-(B) 2 : Closed with key in cylinder.

○ : PARTS LOCATION

Code	See Page	Code	See Page	Code	See Page
D15	34	D22	36 (Double Cab)	P7	A 36 (Double Cab)
D16	34		37 (Except Double Cab)		B 37 (Except Double Cab)
D20	36 (Double Cab)	D26	36 (Double Cab)	U1	A 35
	37 (Except Double Cab)	D27	36 (Double Cab)		B 35
D21	36 (Double Cab)	D28	36 (Double Cab)		
	37 (Except Double Cab)	D29	36 (Double Cab)		

 : RELAY BLOCKS

Code	See Page	Relay Blocks (Relay Block Location)
2	21	R/B No.2 (Engine Compartment Left)

 : JUNCTION BLOCK AND WIRE HARNESS CONNECTOR

Code	See Page	Junction Block and Wire Harness (Connector Location)
1E	23	Engine Room Main Wire and J/B No.1 (Lower Finish Panel)
1H	23	Cowl Wire and J/B No.1 (Lower Finish Panel)
1J		
1L		
3B	24	Cowl Wire and J/B No.3 (Behind the Instrument Panel Left)
3E		
3F		

 : CONNECTOR JOINING WIRE HARNESS AND WIRE HARNESS

Code	See Page	Joining Wire Harness and Wire Harness (Connector Location)
IH2	44	Front Door LH Wire and Cowl Wire (Left Kick Panel)
IL2	44	Front Door RH Wire and Cowl Wire (Right Kick Panel)
BQ1	46 (Double Cab)	Rear Door No.2 Wire and Cowl Wire (Under the Left Center Pillar)
BR1	46 (Double Cab)	Rear Door No.1 Wire and Cowl Wire (Under the Right Center Pillar)

 : GROUND POINTS

Code	See Page	Ground Points Location
IE	44	Around the Right Edge of the Reinforcement
IG	44	Around the Left Edge of the Reinforcement

 : SPLICE POINTS

Code	See Page	Wire Harness with Splice Points	Code	See Page	Wire Harness with Splice Points
I1	44	Cowl Wire	I18	44	Cowl Wire
I2			B2	46 (Double Cab)	Front Door LH Wire
I3				48 (Except Double Cab)	
I5			B3	46 (Double Cab)	Front Door RH Wire
I7				48 (Except Double Cab)	
I9					