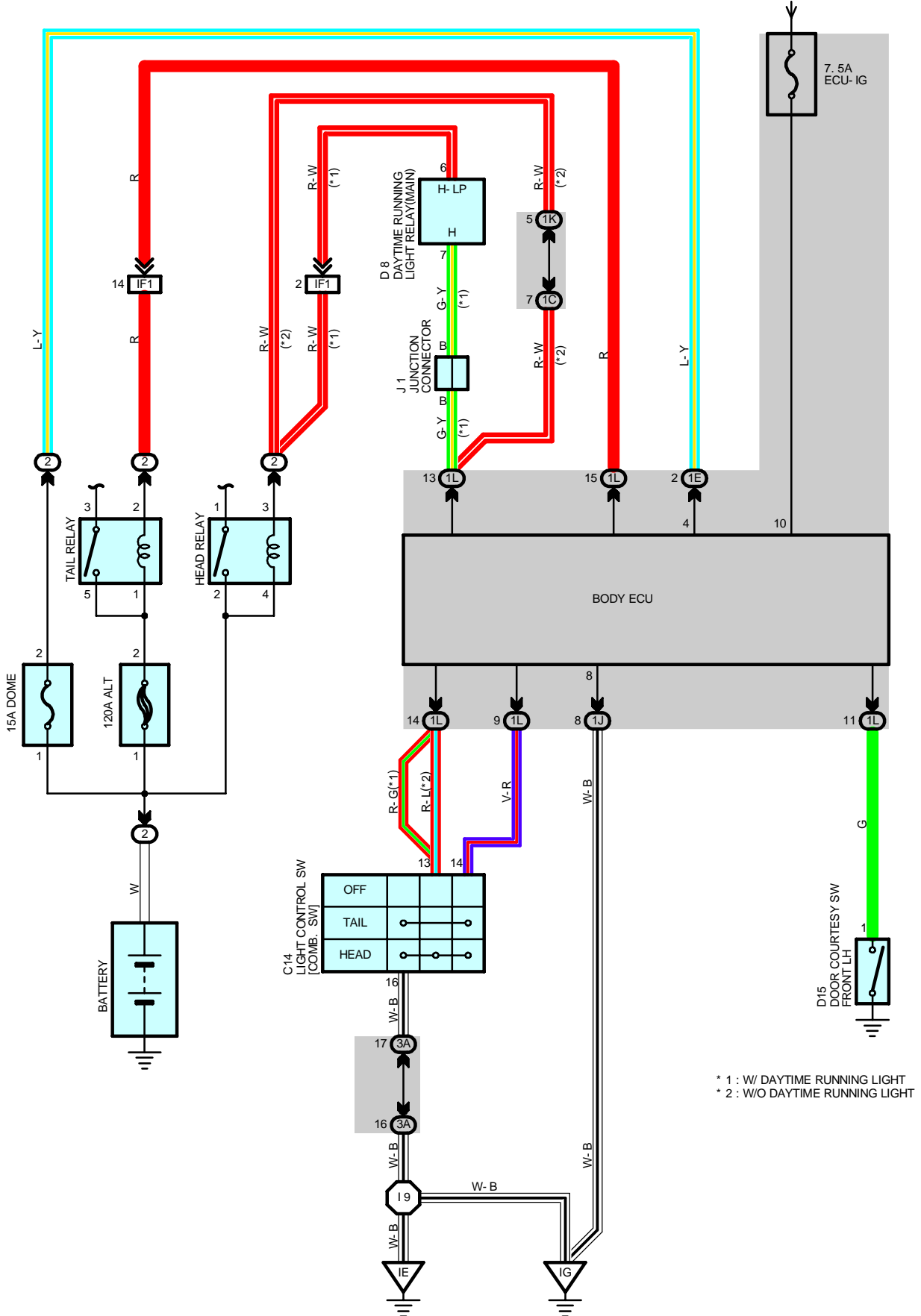


LIGHT AUTO TURN OFF

FROM POWER SOURCE SYSTEM (SEE PAGE 54)



SYSTEM OUTLINE

The light auto turn off system automatically turns the taillight or headlight off according to the door open or close on the driver's side, and prevent failing to turn off the lights.

If the ignition switch is turned to OFF from ON with the headlight or taillight is on, the signal is input in the body ECU. If the driver's seat door is opened at that time, the signal from the door courtesy SW front LH is sent to the body ECU. The signal turns the headlight or taillight off by the body ECU.

SERVICE HINTS

BODY ECU

10-GROUND : Approx. **12** volts with ignition SW at **ON** or **ST** position

4-GROUND : Always approx. **12** volts

8-GROUND : Always continuity

: PARTS LOCATION

Code	See Page	Code	See Page	Code	See Page
C14	34	D15	34		
D8	34	J1	35		

: RELAY BLOCKS

Code	See Page	Relay Blocks (Relay Block Location)
2	21	R/B No.2 (Engine Compartment Left)

: JUNCTION BLOCK AND WIRE HARNESS CONNECTOR

Code	See Page	Junction Block and Wire Harness (Connector Location)
1C	23	Cowl Wire and J/B No.1 (Lower Finish Panel)
1E	23	Engine Room Main Wire and J/B No.1 (Lower Finish Panel)
1J	23	Cowl Wire and J/B No.1 (Lower Finish Panel)
1K	23	Engine Room Main Wire and J/B No.1 (Lower Finish Panel)
1L	22	Cowl Wire and J/B No.1 (Lower Finish Panel)
3A	24	Cowl Wire and J/B No.3 (Behind the Instrument Panel Left)

: CONNECTOR JOINING WIRE HARNESS AND WIRE HARNESS

Code	See Page	Joining Wire Harness and Wire Harness (Connector Location)
IF1	44	Engine Room Main Wire and Cowl Wire (Left Kick Panel)

: GROUND POINTS

Code	See Page	Ground Points Location
IE	44	Around the Right Edge of the Reinforcement
IG	44	Around the Left Edge of the Reinforcement

: SPLICE POINTS

Code	See Page	Wire Harness with Splice Points	Code	See Page	Wire Harness with Splice Points
I9	44	Cowl Wire			