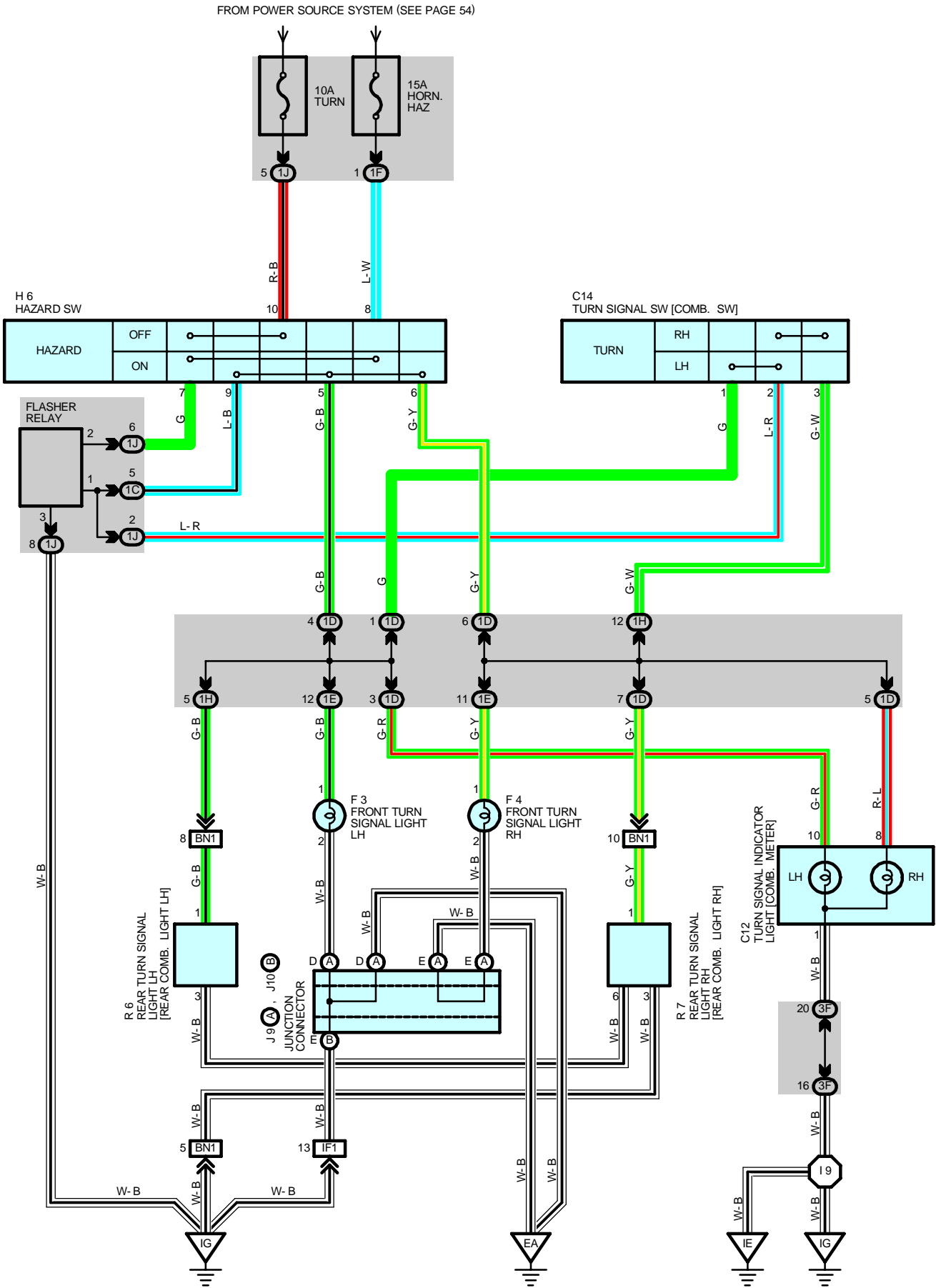


TURN SIGNAL AND HAZARD WARNING LIGHT



SERVICE HINTS

FLASHER RELAY

2-GROUND : Approx. **12** volts with ignition SW on or hazard SW on

1-GROUND : Changes from **12** to **0** volts with ignition SW on and turn signal SW left or right, or with hazard SW on

○ : PARTS LOCATION

Code	See Page	Code	See Page	Code	See Page
C12	34	F4	32 (3RZ-FE, 2RZ-FE)	J10	B
C14	34	H6	35	R6	33 (3RZ-FE, 2RZ-FE)
F3	30 (5VZ-FE)	J9	A		31 (5VZ-FE)
	32 (3RZ-FE, 2RZ-FE)			33 (3RZ-FE, 2RZ-FE)	37 (Except Double Cab)
F4	30 (5VZ-FE)	J10	B	R7	36 (Double Cab)
					37 (Except Double Cab)

○ : JUNCTION BLOCK AND WIRE HARNESS CONNECTOR

Code	See Page	Junction Block and Wire Harness (Connector Location)
1C	23	Cowl Wire and J/B No.1 (Lower Finish Panel)
1D		
1E	23	Engine Room Main Wire and J/B No.1 (Lower Finish Panel)
1F	23	Cowl Wire and J/B No.1 (Lower Finish Panel)
1H		
1J		
3F	24	Cowl Wire and J/B No.3 (Behind the Instrument Panel Left)

□ : CONNECTOR JOINING WIRE HARNESS AND WIRE HARNESS

Code	See Page	Joining Wire Harness and Wire Harness (Connector Location)
IF1	44	Engine Room Main Wire and Cowl Wire (Left Kick Panel)
BN1	46 (Double Cab)	Frame Wire and Cowl Wire (Under the Driver's Seat)
	48 (Except Double Cab)	

▽ : GROUND POINTS

Code	See Page	Ground Points Location
EA	40 (5VZ-FE)	Front Left Fender
	42 (3RZ-FE, 2RZ-FE)	
IE	44	Around the Right Edge of the Reinforcement
IG	44	Around the Left Edge of the Reinforcement

○ : SPLICE POINTS

Code	See Page	Wire Harness with Splice Points	Code	See Page	Wire Harness with Splice Points
I9	44	Cowl Wire			