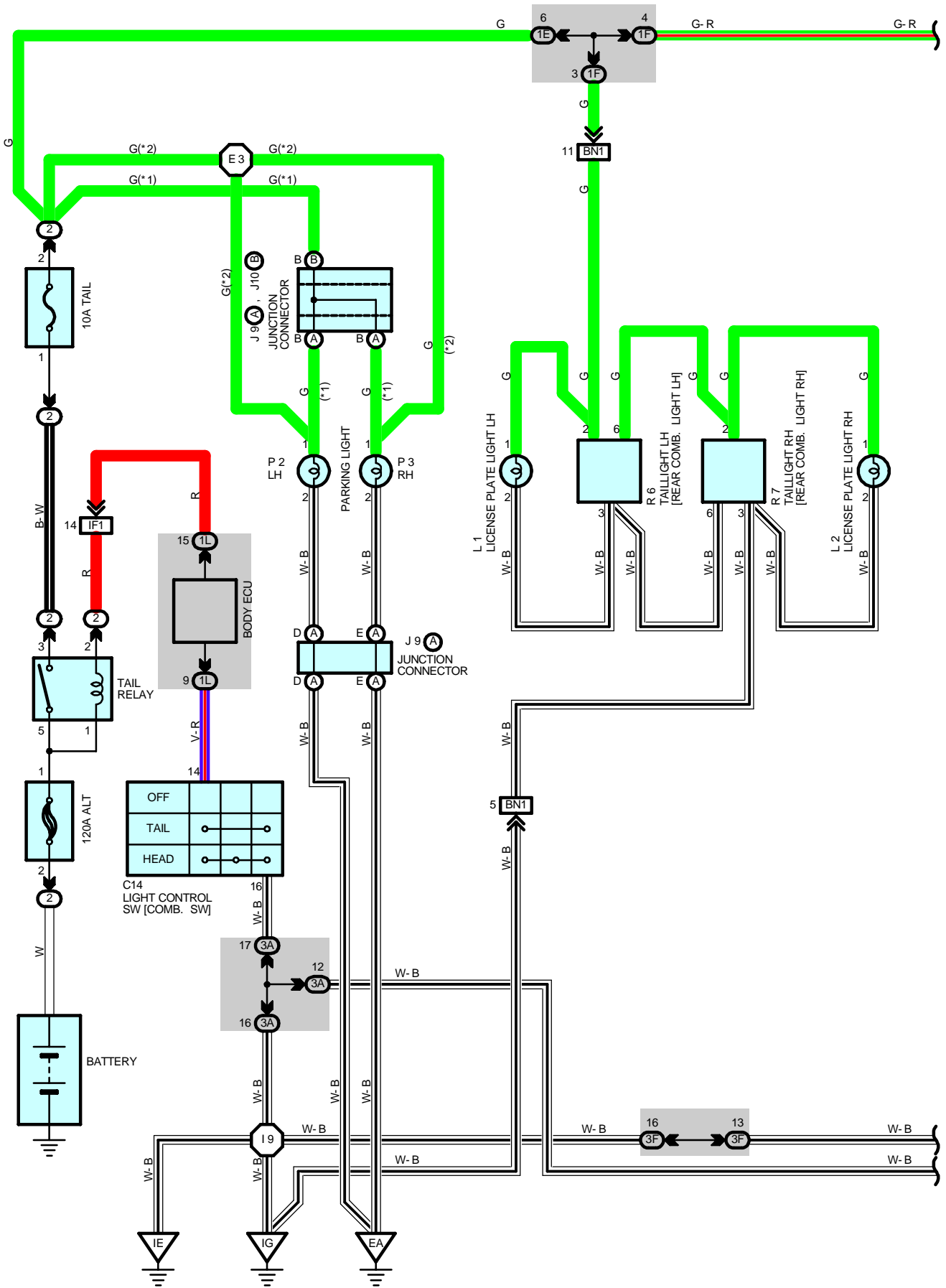


TAILLIGHT AND ILLUMINATION



TAILLIGHT AND ILLUMINATION

SERVICE HINTS

C14 LIGHT CONTROL SW [COMB. SW]

14-16 : Closed with light control SW at **TAIL** or **HEAD** position

TAIL RELAY

3-5 : Closed with light control SW at **TAIL** or **HEAD** position

○ : PARTS LOCATION

Code	See Page	Code	See Page	Code	See Page	
A19	34	J10	B	33 (3RZ-FE, 2RZ-FE)	R2 B	35
A25	34	L1		36 (Double Cab)	R3	35
C5	34			37 (Except Double Cab)	R4	35
C13	34	L2		36 (Double Cab)	R6	36 (Double Cab)
C14	34			37 (Except Double Cab)		37 (Except Double Cab)
E4	35	P2		31 (5VZ-FE)	R7	36 (Double Cab)
G3	35			33 (3RZ-FE, 2RZ-FE)		37 (Except Double Cab)
H6	35	P3		31 (5VZ-FE)	R15	35
J9	A			33 (3RZ-FE, 2RZ-FE)	P19	33 (3RZ-FE, 2RZ-FE)
		31 (5VZ-FE)	35			
J10	B	31 (5VZ-FE)	R1 A	35		

○ : RELAY BLOCKS

Code	See Page	Relay Blocks (Relay Block Location)
2	21	R/B No.2 (Engine Compartment Left)

○ : JUNCTION BLOCK AND WIRE HARNESS CONNECTOR

Code	See Page	Junction Block and Wire Harness (Connector Location)
1E	23	Engine Room Main Wire and J/B No.1 (Lower Finish Panel)
1F	23	Cowl Wire and J/B No.1 (Lower Finish Panel)
1L	22	
3A	24	Cowl Wire and J/B No.3 (Behind the Instrument Panel Left)
3C		
3F		
3H	26	Cowl Wire and J/B No.3 (Behind the Instrument Panel Center)
3I		

□ : CONNECTOR JOINING WIRE HARNESS AND WIRE HARNESS

Code	See Page	Joining Wire Harness and Wire Harness (Connector Location)
IF1	44	Engine Room Main Wire and Cowl Wire (Left Kick Panel)
BN1	46 (Double Cab)	Frame Wire and Cowl Wire (Under the Driver's Seat)
	48 (Except Double Cab)	

▽ : GROUND POINTS

Code	See Page	Ground Points Location
EA	40 (5VZ-FE)	Front Left Fender
	42 (3RZ-FE, 2RZ-FE)	
IE	44	Around the Right Edge of the Reinforcement
IG	44	Around the Left Edge of the Reinforcement

○ : SPLICE POINTS

Code	See Page	Wire Harness with Splice Points	Code	See Page	Wire Harness with Splice Points
E3	40 (5VZ-FE)	Engine Room Main Wire	I9	44	Cowl Wire
	42 (3RZ-FE, 2RZ-FE)				

