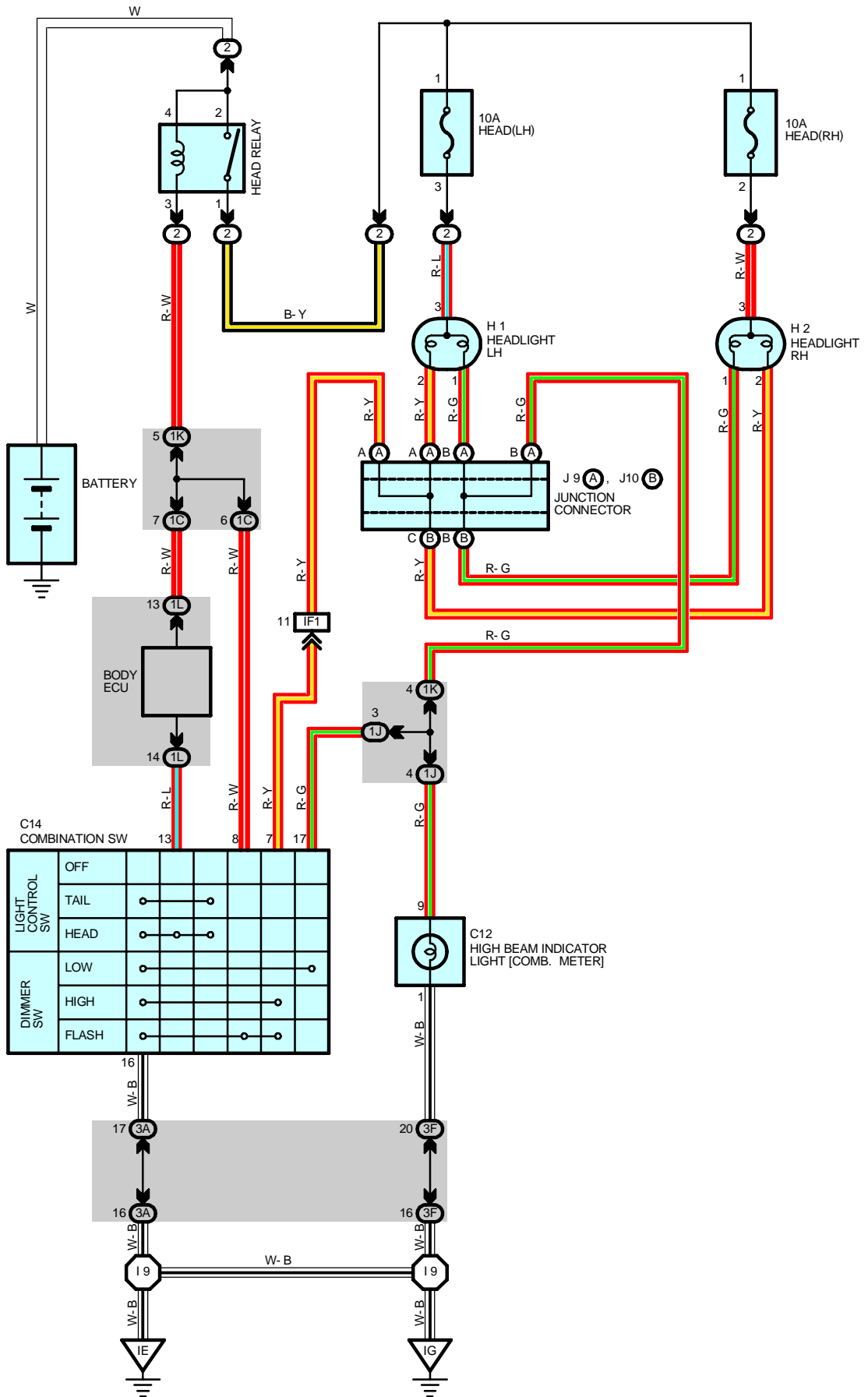


HEADLIGHT (w/o DAYTIME RUNNING LIGHT)



SERVICE HINTS**HEAD RELAY**2-1 : Closed with light control SW at **HEAD** position or dimmer SW at **FLASH** position : **PARTS LOCATION**

Code	See Page	Code	See Page	Code	See Page
C12	34	H2	30 (5VZ-FE)	J10	B
C14	34		32 (3RZ-FE, 2RZ-FE)		
H1	30 (5VZ-FE)	J9	A		
	32 (3RZ-FE, 2RZ-FE)				

 : **RELAY BLOCKS**

Code	See Page	Relay Blocks (Relay Block Location)
2	21	R/B No.2 (Engine Compartment Left)

 : **JUNCTION BLOCK AND WIRE HARNESS CONNECTOR**

Code	See Page	Junction Block and Wire Harness (Connector Location)
1C	23	Cowl Wire and J/B No.1 (Lower Finish Panel)
1J		
1K	23	Engine Room Main Wire and J/B No.1 (Lower Finish Panel)
1L	22	Cowl Wire and J/B No.1 (Lower Finish Panel)
3A	24	Cowl Wire and J/B No.3 (Behind the Instrument Panel Left)
3F		

 : **CONNECTOR JOINING WIRE HARNESS AND WIRE HARNESS**

Code	See Page	Joining Wire Harness and Wire Harness (Connector Location)
IF1	44	Engine Room Main Wire and Cowl Wire (Left Kick Panel)

 : **GROUND POINTS**

Code	See Page	Ground Points Location
IE	44	Around the Right Edge of the Reinforcement
IG	44	Around the Left Edge of the Reinforcement

 : **SPLICE POINTS**

Code	See Page	Wire Harness with Splice Points	Code	See Page	Wire Harness with Splice Points
I9	44	Cowl Wire			