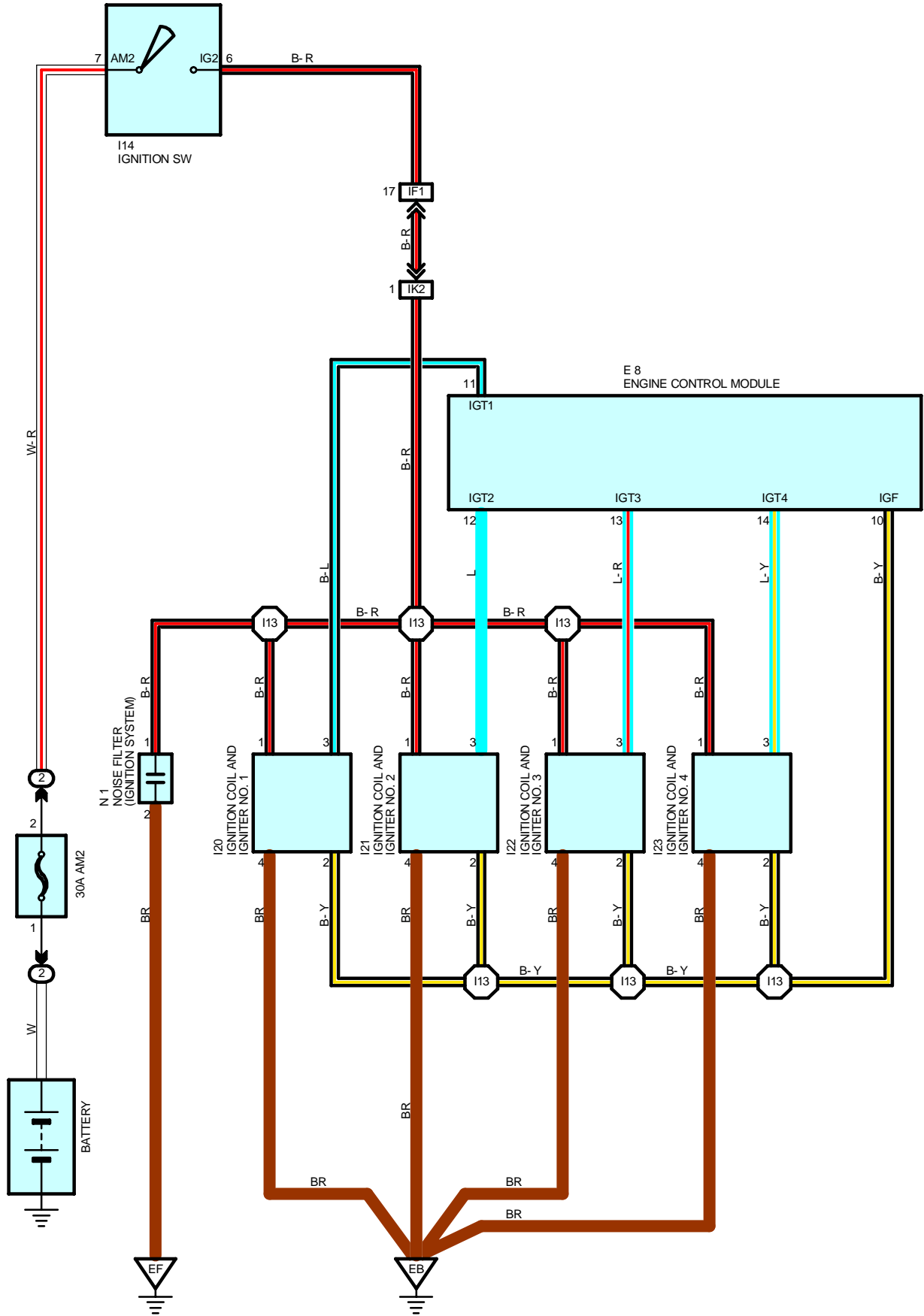


IGNITION (3RZ-FE, 2RZ-FE)



SERVICE HINTS**I14 IGNITION SW**7-6 : Closed with ignition SW at **ON** or **ST** position : **PARTS LOCATION**

Code	See Page	Code	See Page	Code	See Page
E8	35	I21	33 (3RZ-FE, 2RZ-FE)	N1	33 (3RZ-FE, 2RZ-FE)
I14	35	I22	33 (3RZ-FE, 2RZ-FE)		
I20	33 (3RZ-FE, 2RZ-FE)	I23	33 (3RZ-FE, 2RZ-FE)		

 : **RELAY BLOCKS**

Code	See Page	Relay Blocks (Relay Block Location)
2	21	R/B No.2 (Engine Compartment Left)

 : **CONNECTOR JOINING WIRE HARNESS AND WIRE HARNESS**

Code	See Page	Joining Wire Harness and Wire Harness (Connector Location)
IF1	44	Engine Room Main Wire and Cowl Wire (Left Kick Panel)
IK2	44	Engine Wire and Cowl Wire (Above the Glove Box)

 : **GROUND POINTS**

Code	See Page	Ground Points Location
EB	42 (3RZ-FE, 2RZ-FE)	Under the Data Link Connector 1
EF	42 (3RZ-FE, 2RZ-FE)	Ignition Coil Bracket

 : **SPLICE POINTS**

Code	See Page	Wire Harness with Splice Points	Code	See Page	Wire Harness with Splice Points
I13	44	Engine Wire			