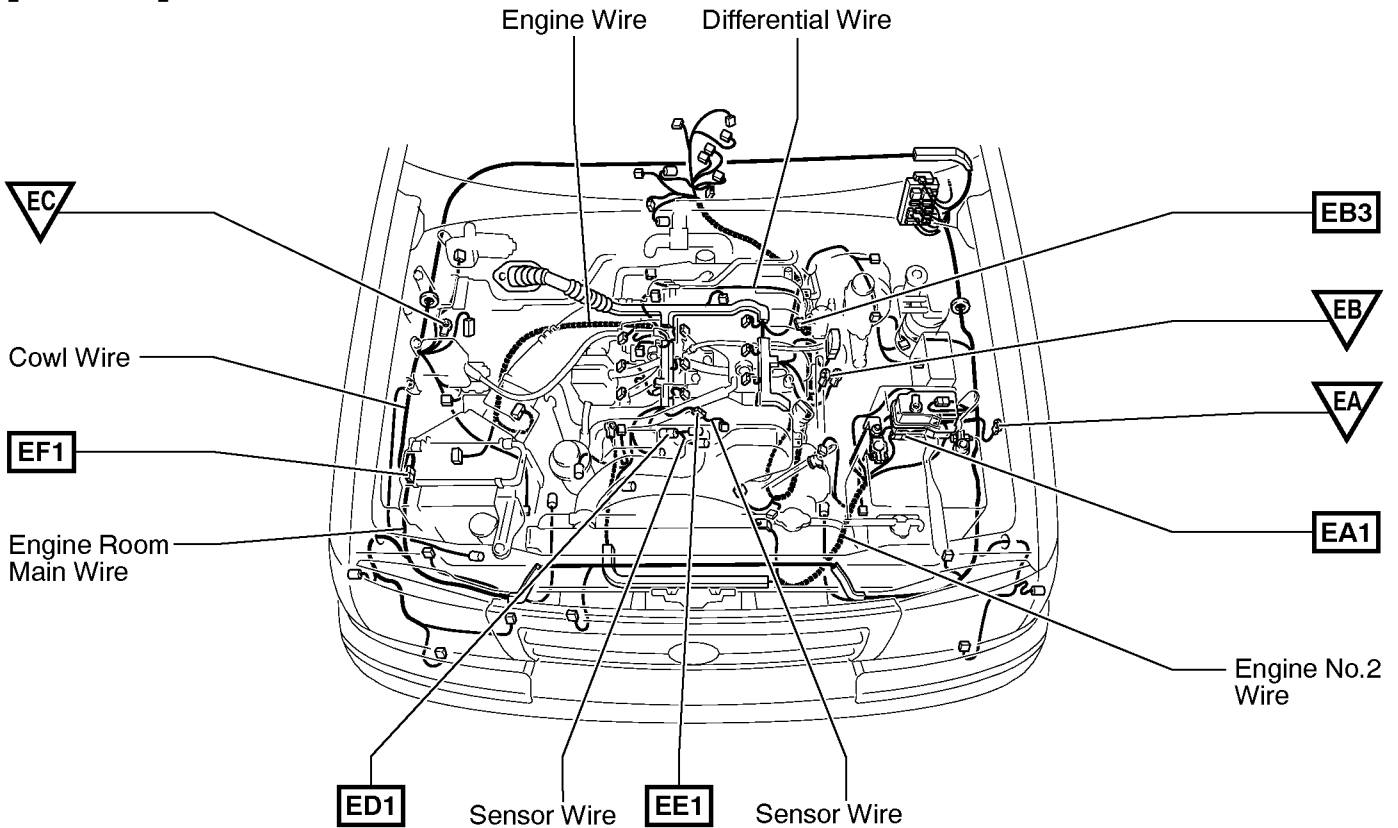


G ELECTRICAL WIRING ROUTING

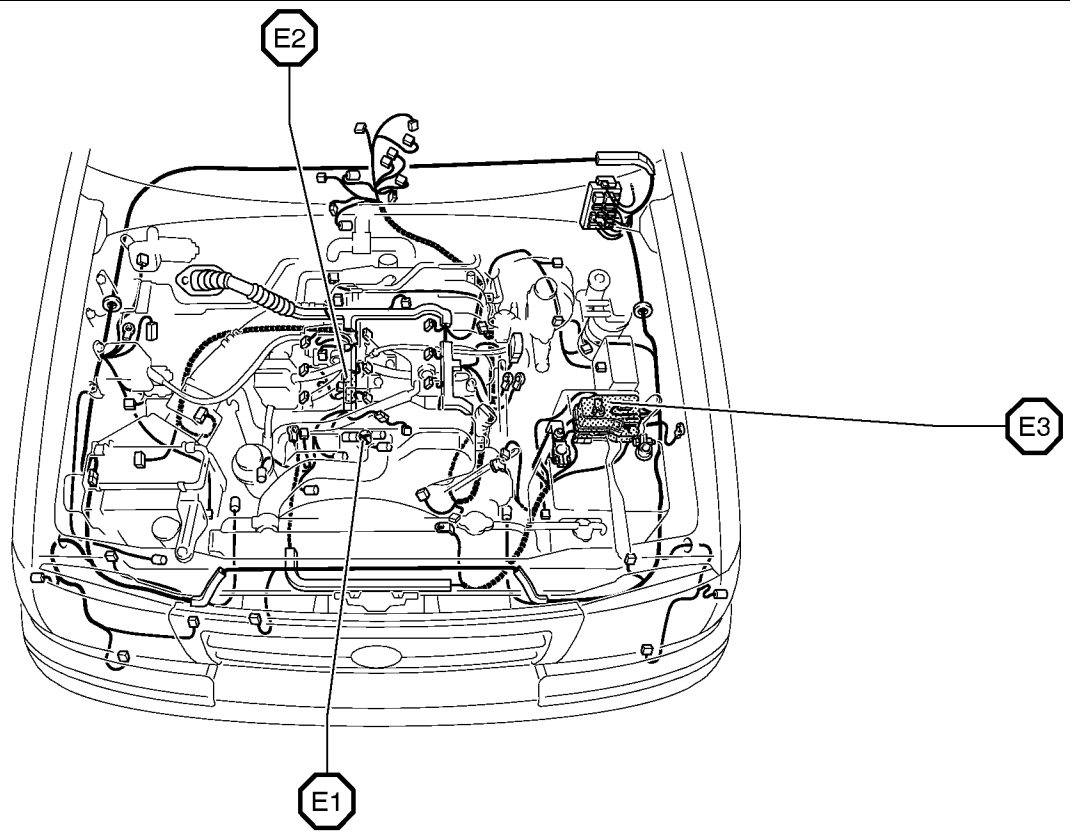
□ : Location of Connector Joining Wire Harness and Wire Harness

▽ : Location of Ground Points

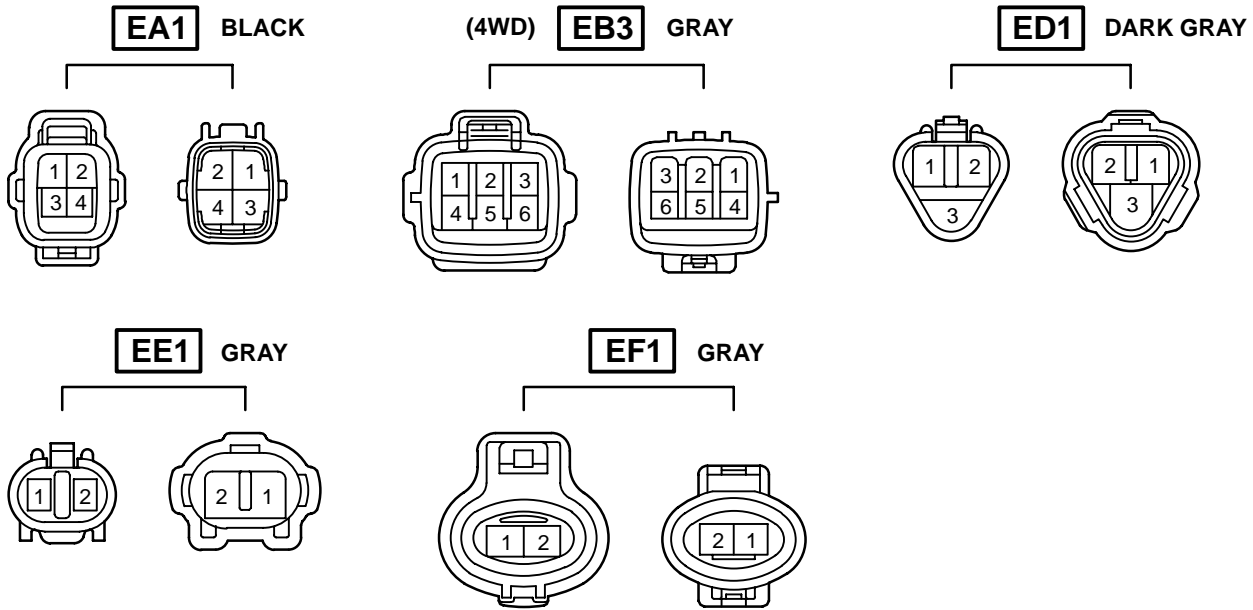
[5VZ-FE]



○ : Location of Splice Points



Connector Joining Wire Harness and Wire Harness



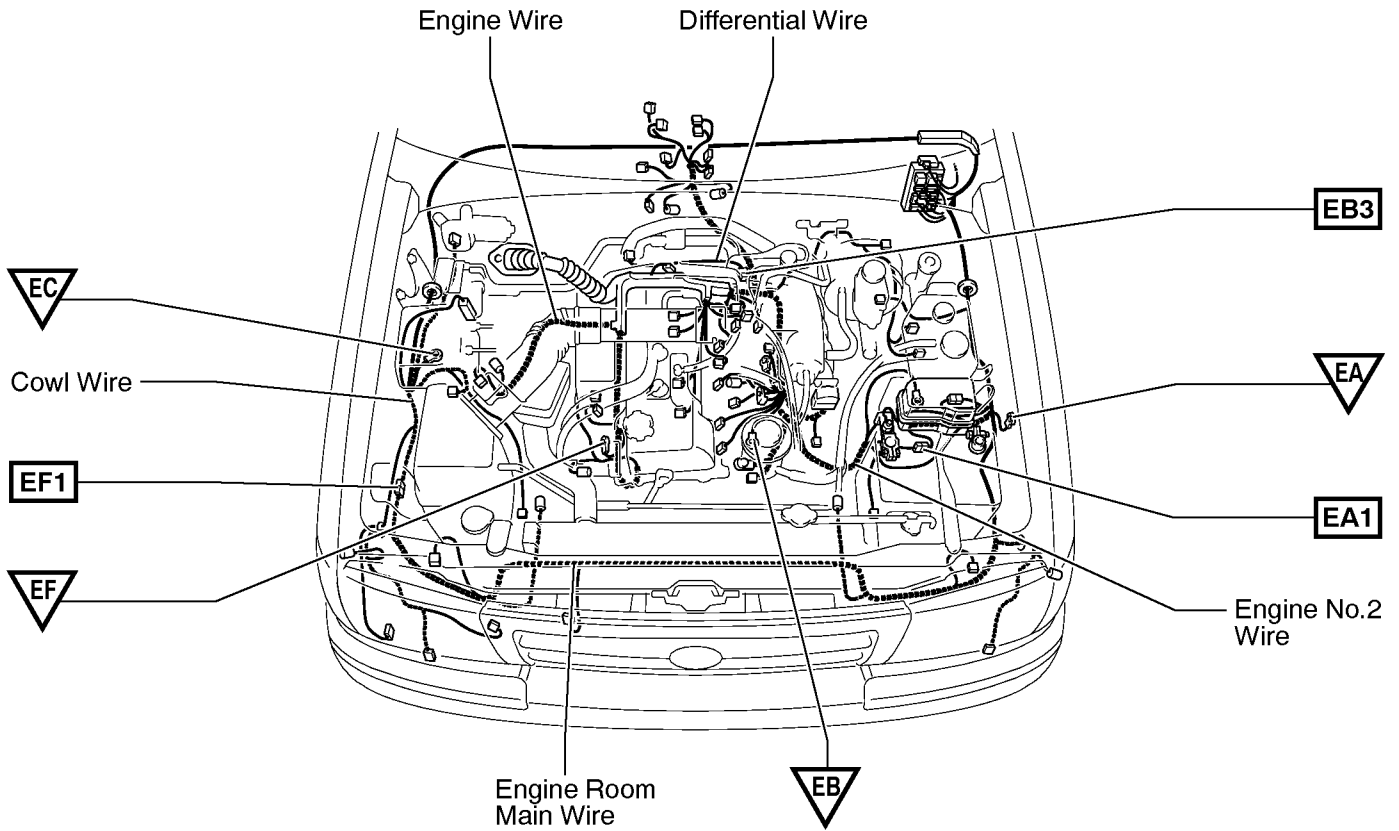
Code	Joining Wire Harness and Wire Harness (Connector Location)
EA1	Engine Room Main Wire and Engine No.2 Wire (Near the Battery)
EB3	Engine Wire and Differential Wire (Front Differential Upper Side)
ED1	Sensor Wire and Engine Wire (Over the Cylinder Head)
EE1	Engine Wire and Sensor Wire (Over the Cylinder Head)
EF1	Cowl Wire and Engine Room Main Wire (Front Right Fender)

G ELECTRICAL WIRING ROUTING

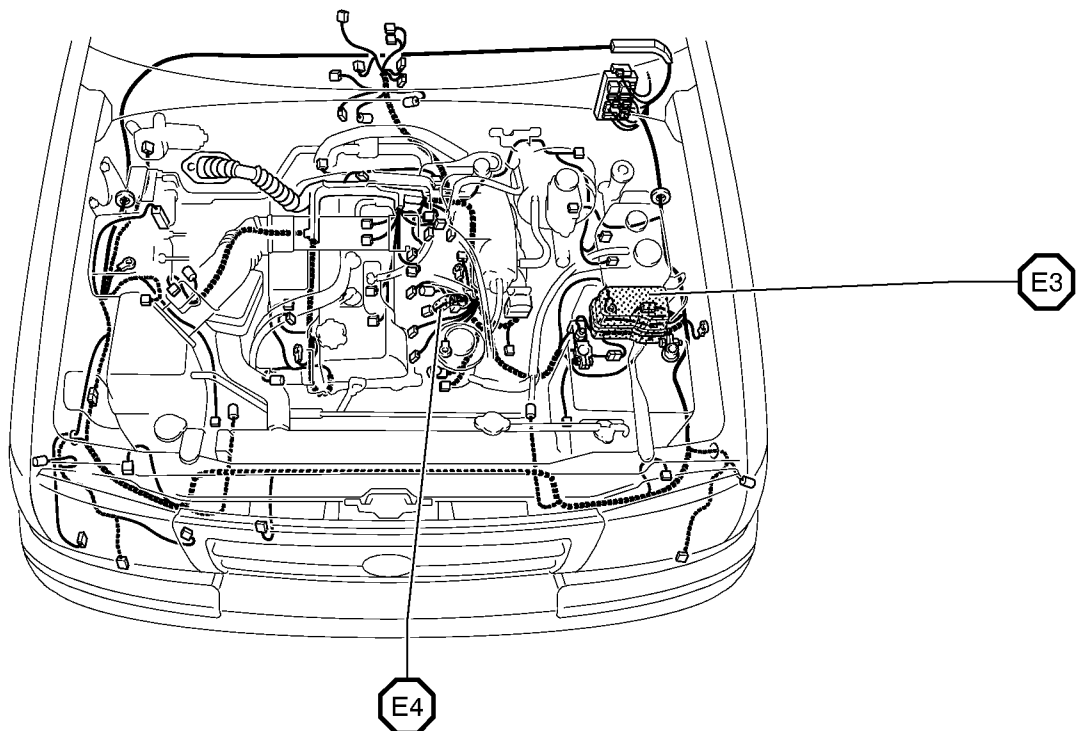
□ : Location of Connector Joining Wire Harness and Wire Harness

▽ : Location of Ground Points

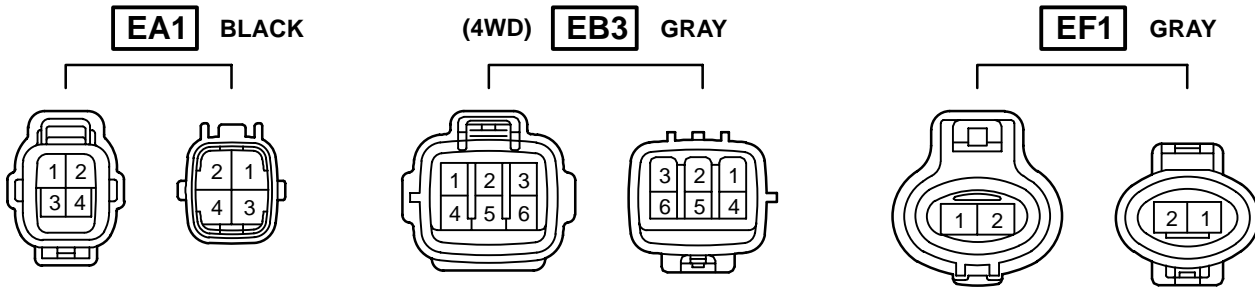
[3RZ-FE, 2RZ-FE]



○ : Location of Splice Points



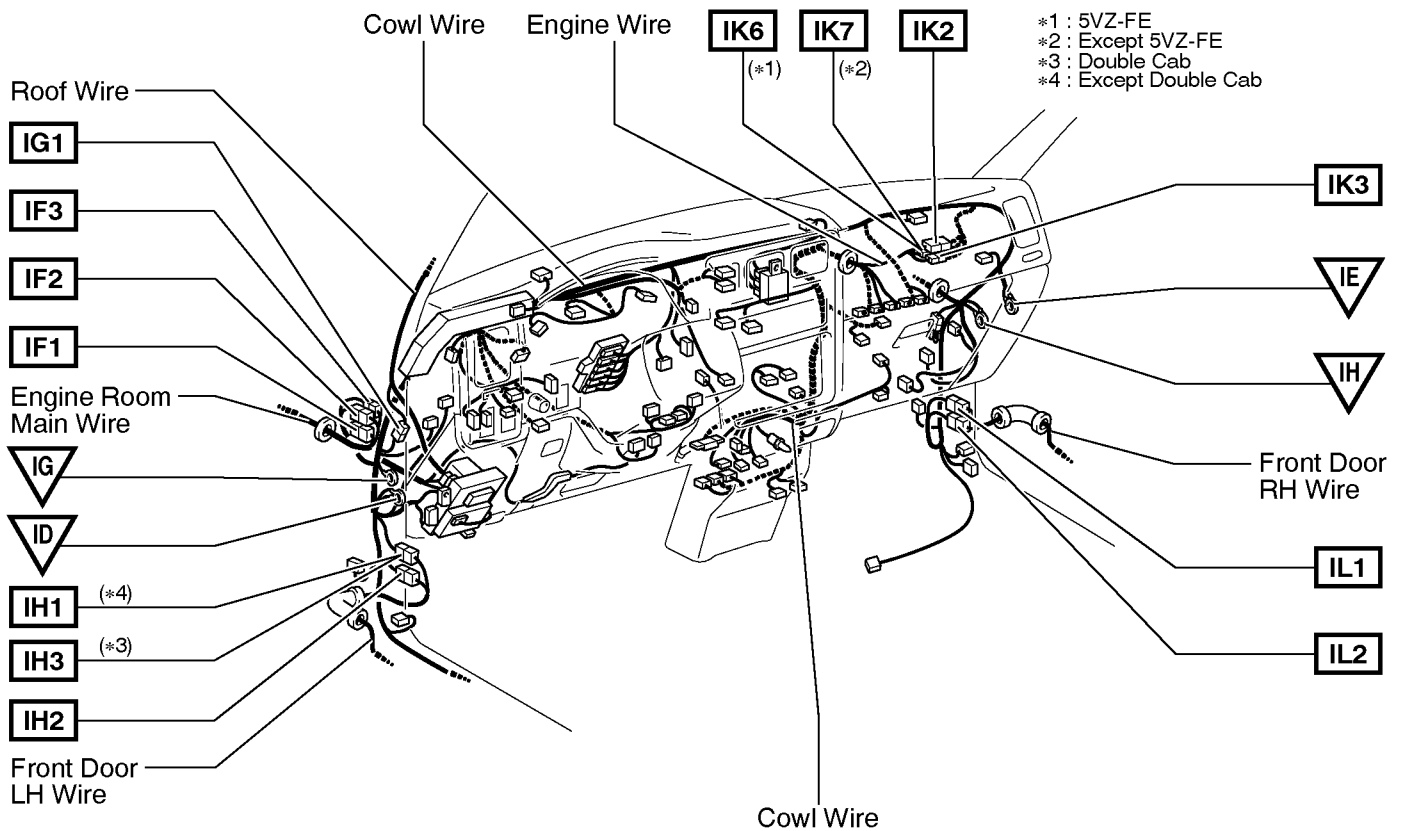
Connector Joining Wire Harness and Wire Harness



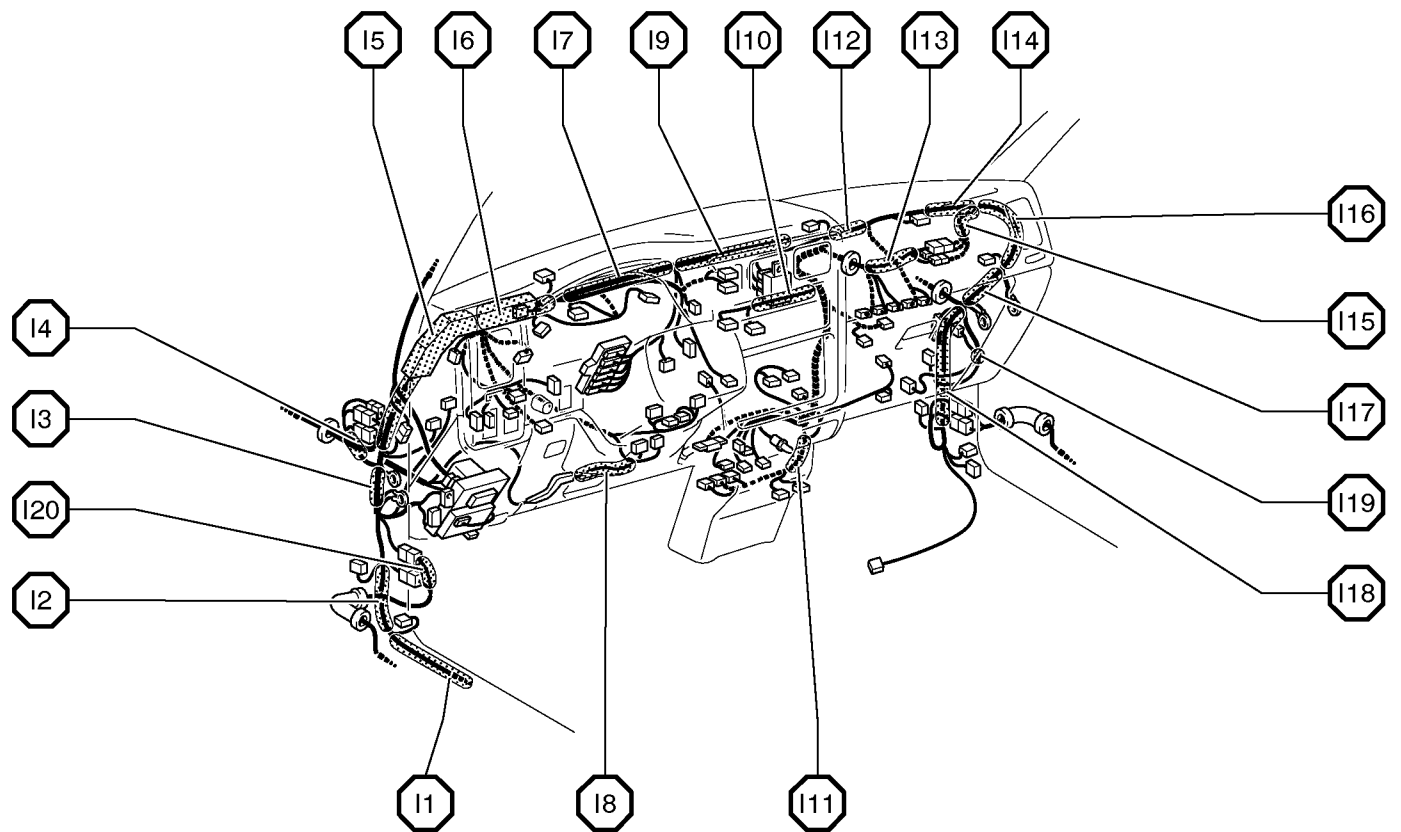
Code	Joining Wire Harness and Wire Harness (Connector Location)
EA1	Engine Room Main Wire and Engine No.2 Wire (Near the Battery)
EB3	Engine Wire and Differential Wire (Front Differential Upper Side)
EF1	Cowl Wire and Engine Room Main Wire (Front Right Fender)

G ELECTRICAL WIRING ROUTING

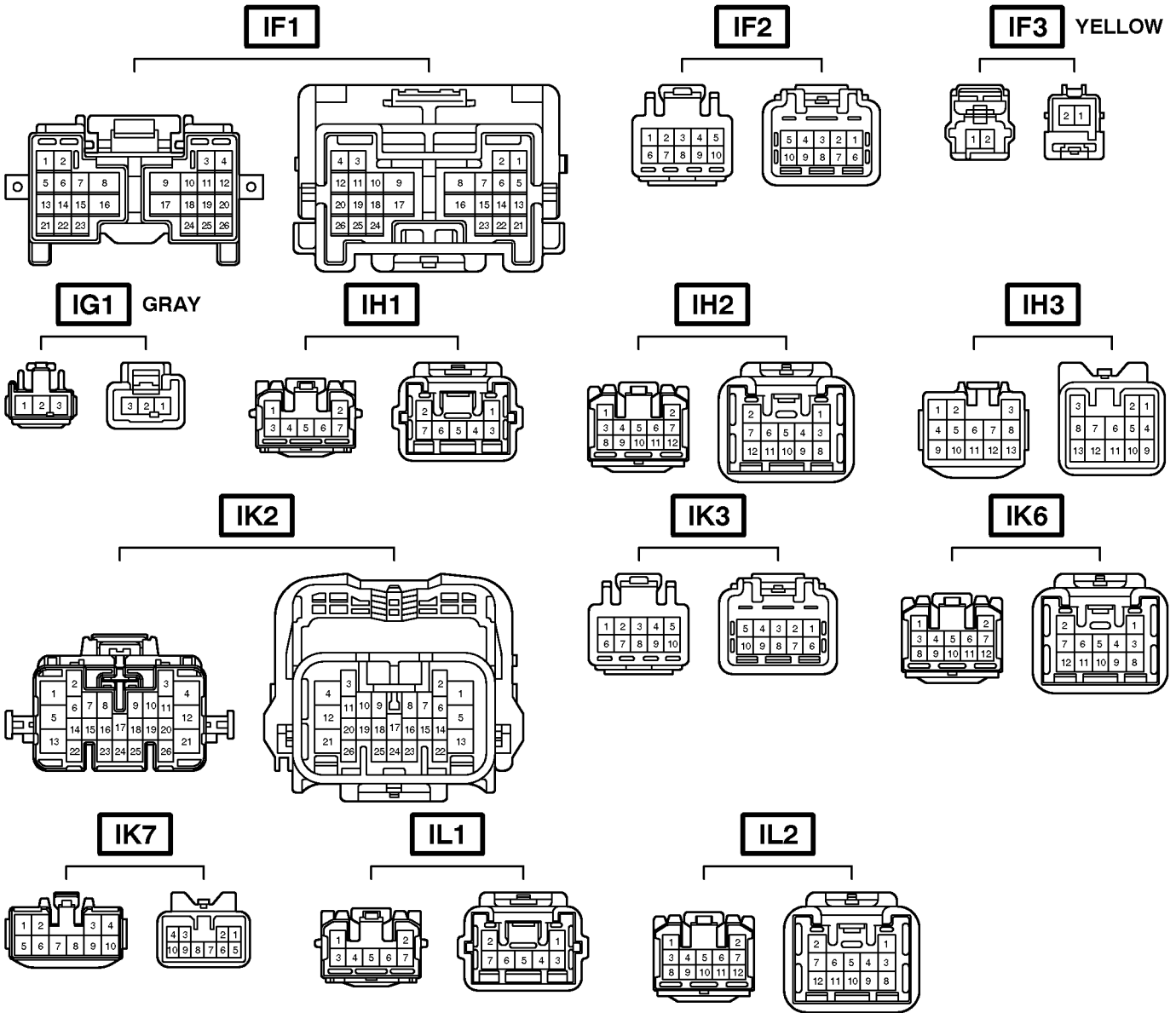
□ : Location of Connector Joining Wire Harness and Wire Harness
 ▽ : Location of Ground Points



○ : Location of Splice Points



Connector Joining Wire Harness and Wire Harness

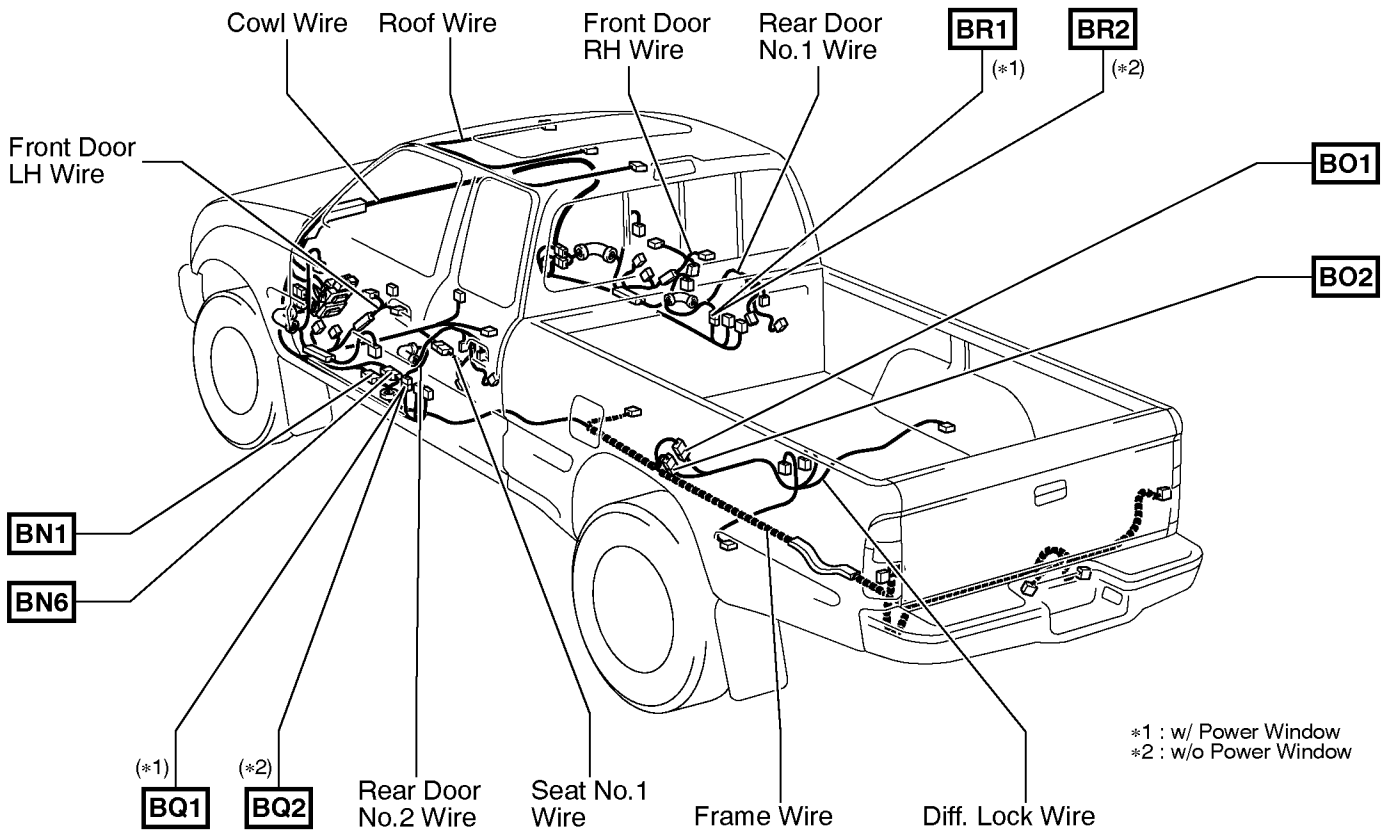


Code	Joining Wire Harness and Wire Harness (Connector Location)
IF1	
IF2	Engine Room Main Wire and Cowl Wire (Left Kick Panel)
IF3	
IG1	Cowl Wire and Roof Wire (Left Kick Panel)
IH1	
IH2	Front Door LH Wire and Cowl Wire (Left Kick Panel)
IH3	
IK2	
IK3	
IK6	Engine Wire and Cowl Wire (Above the Glove Box)
IK7	
IL1	
IL2	Front Door RH Wire and Cowl Wire (Right Kick Panel)

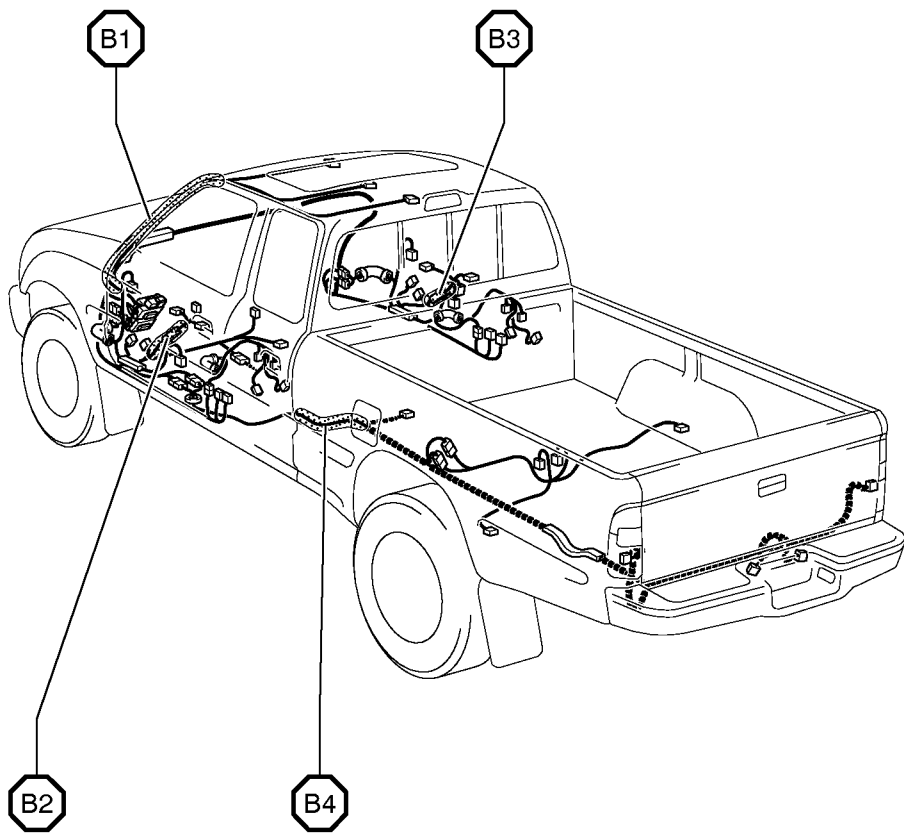
G ELECTRICAL WIRING ROUTING

□ : Location of Connector Joining Wire Harness and Wire Harness

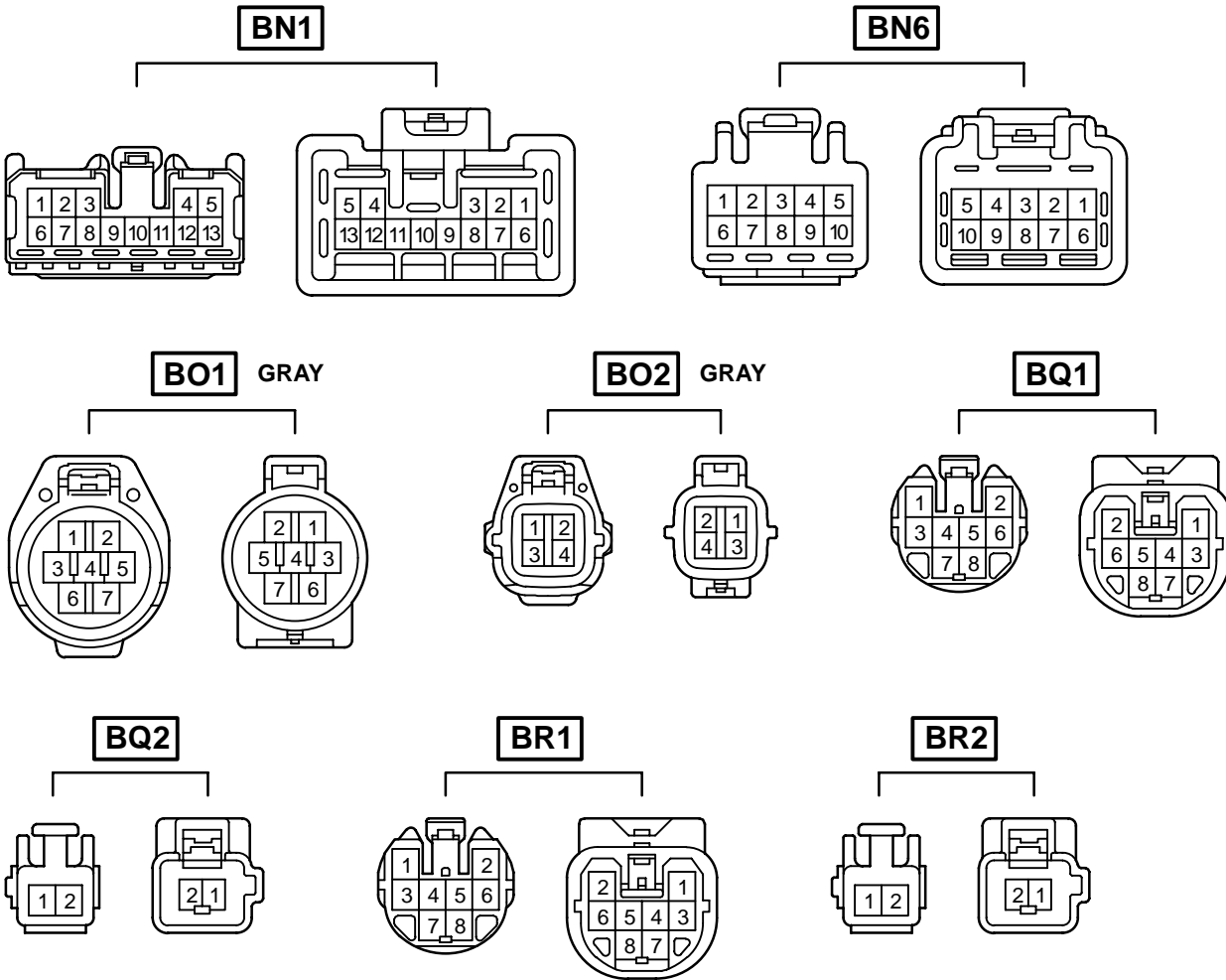
[Double Cab]



○ : Location of Splice Points



Connector Joining Wire Harness and Wire Harness

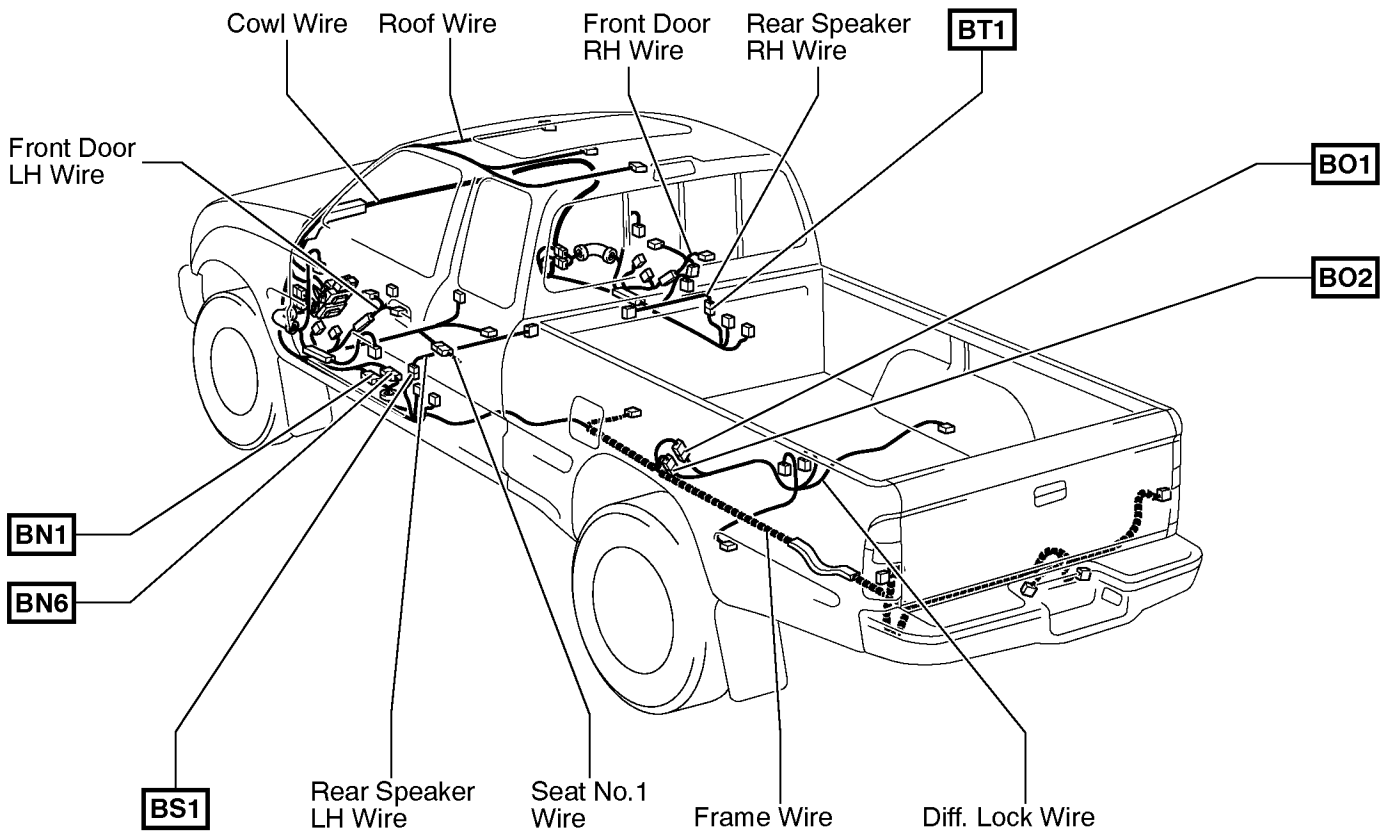


Code	Joining Wire Harness and Wire Harness (Connector Location)
BN1	Frame Wire and Cowl Wire (Under the Driver's Seat)
BN6	Frame Wire and Diff. Lock Wire (Rear Side Member LH)
BO1	Rear Door No.2 Wire and Cowl Wire (Under the Left Center Pillar)
BO2	Rear Door No.1 Wire and Cowl Wire (Under the Right Center Pillar)
BQ1	Rear Door No.2 Wire and Cowl Wire (Under the Left Center Pillar)
BQ2	Rear Door No.1 Wire and Cowl Wire (Under the Right Center Pillar)
BR1	Rear Door No.2 Wire and Cowl Wire (Under the Left Center Pillar)
BR2	Rear Door No.1 Wire and Cowl Wire (Under the Right Center Pillar)

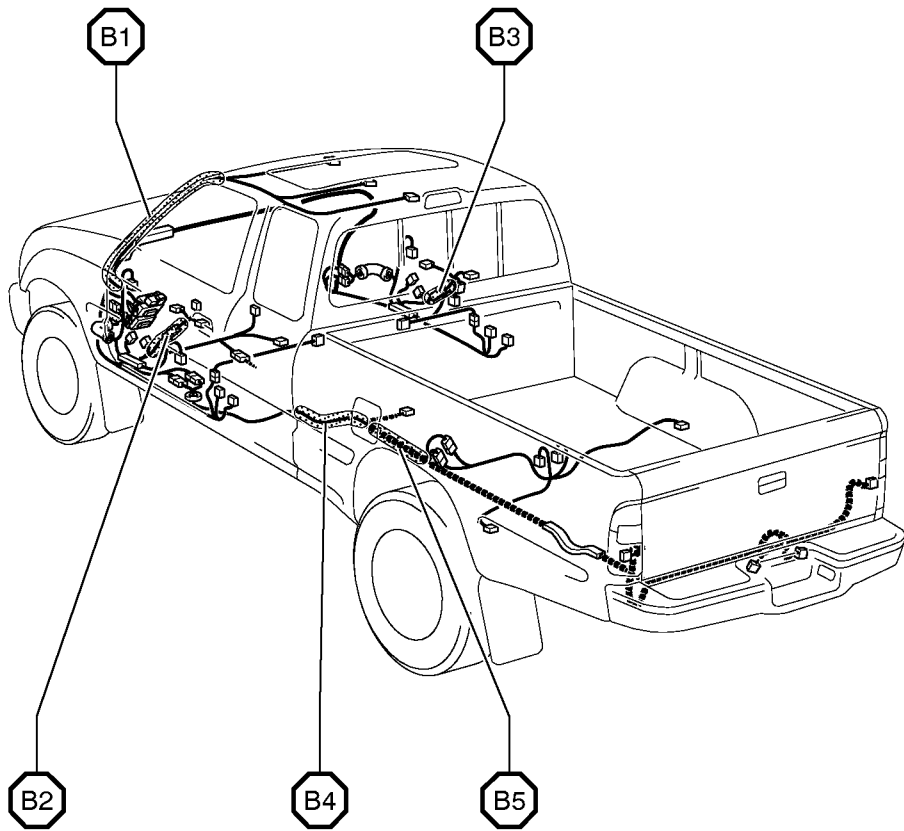
G ELECTRICAL WIRING ROUTING

□ : Location of Connector Joining Wire Harness and Wire Harness

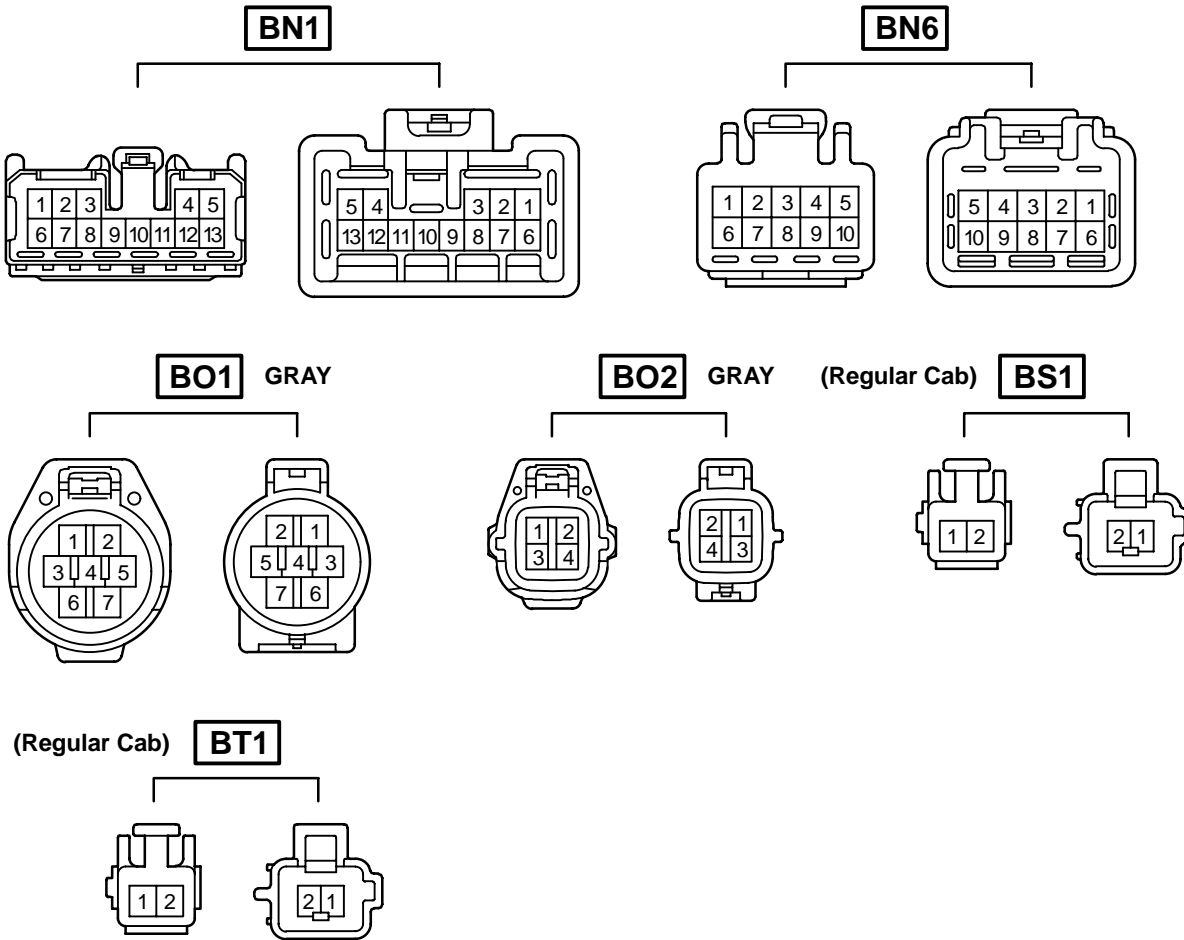
[Except Double Cab]



○ : Location of Splice Points




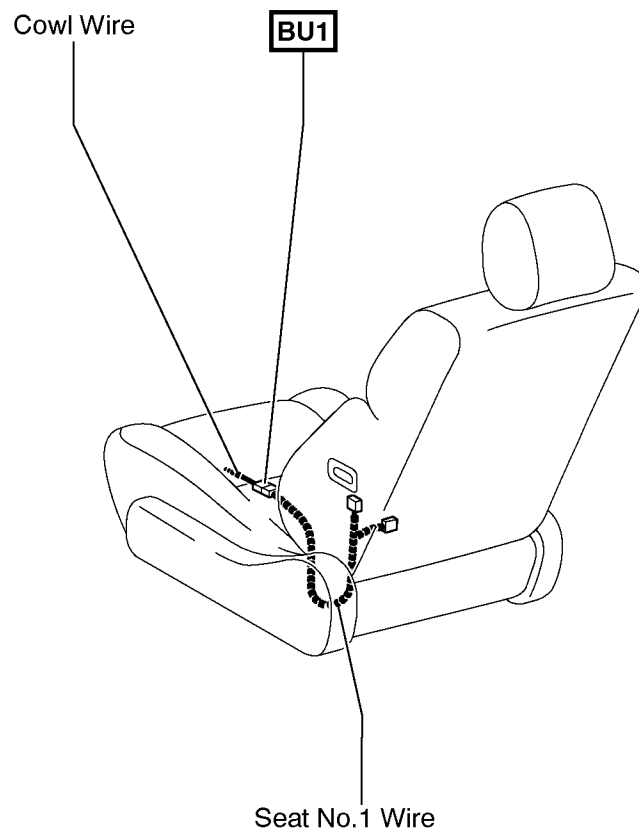
Connector Joining Wire Harness and Wire Harness



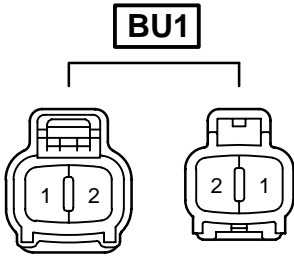
Code	Joining Wire Harness and Wire Harness (Connector Location)
BN1	Frame Wire and Cowl Wire (Under the Driver's Seat)
BN6	Frame Wire and Cowl Wire (Under the Driver's Seat)
BO1	Frame Wire and Diff. Lock Wire (Rear Side Member LH)
BO2	Frame Wire and Diff. Lock Wire (Rear Side Member LH)
BS1	Rear Speaker LH Wire and Cowl Wire (Under the Left Center Pillar)
BT1	Rear Speaker RH Wire and Cowl Wire (Under the Right Center Pillar)

G ELECTRICAL WIRING ROUTING

 : Location of Connector Joining Wire Harness and Wire Harness



Connector Joining Wire Harness and Wire Harness



Code	Joining Wire Harness and Wire Harness (Connector Location)
BU1	Cowl Wire and Seat No.1 Wire (Under the Driver's Seat)