

This manual provides information on the electrical circuits installed on vehicles by dividing them into a circuit for each system.

The actual wiring of each system circuit is shown from the point where the power source is received from the battery as far as each ground point. (All circuit diagrams are shown with the switches in the OFF position.)

When troubleshooting any problem, first understand the operation of the circuit where the problem was detected (see System Circuit section), the power source supplying power to that circuit (see Power Source section), and the ground points (see Ground Point section). See the System Outline to understand the circuit operation.

When the circuit operation is understood, begin troubleshooting of the problem circuit to isolate the cause. Use Relay Location and Electrical Wiring Routing sections to find each part, junction block and wiring harness connectors, wiring harness and wiring harness connectors, splice points, and ground points of each system circuit. Internal wiring for each junction block is also provided for better understanding of connection within a junction block.

Wiring related to each system is indicated in each system circuit by arrows (from__, to__). When overall connections are required, see the Overall Electrical Wiring Diagram at the end of this manual.

[A] : System Title

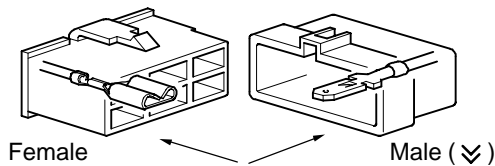
[B] : Indicates a Relay Block. No shading is used and only the Relay Block No. is shown to distinguish it from the J/B

Example: ① Indicates Relay Block No.1

[C] : () is used to indicate different wiring and connector, etc. when the vehicle model, engine type, or specification is different.

[D] : Indicates related system.

[E] : Indicates the wiring harness and wiring harness connector. The wiring harness with male terminal is shown with arrows (↗). Outside numerals are pin numbers.

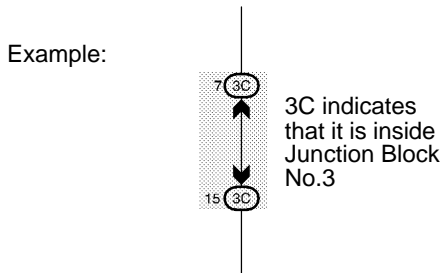


The first letter of the code for each wiring harness and wiring harness connector(s) indicates the component's location, e.g, "E" for the Engine Compartment, "I" for the Instrument Panel and Surrounding area, and "B" for the Body and Surrounding area.

When more than one code has the first and second letters in common, followed by numbers (e.g, IH1, IH2), this indicates the same type of wiring harness and wiring harness connector.

[F] : Represents a part (all parts are shown in sky blue). The code is the same as the code used in parts position.

[G] : Junction Block (The number in the circle is the J/B No. and the connector code is shown beside it). Junction Blocks are shaded to clearly separate them from other parts.



[H] : When 2 parts both use one connector in common, the parts connector name used in the wire routing section is shown in square brackets [] .

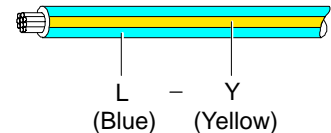
[I] : Indicates the wiring color.

Wire colors are indicated by an alphabetical code.

- B = Black W = White BR = Brown
- L = Blue V = Violet SB = Sky Blue
- R = Red G = Green LG = Light Green
- P = Pink Y = Yellow GR = Gray
- O = Orange

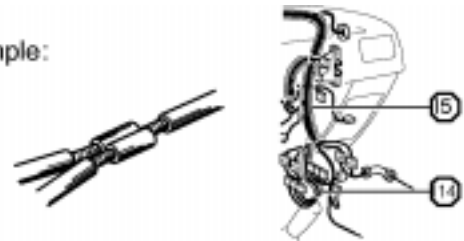
The first letter indicates the basic wire color and the second letter indicates the color of the stripe.

Example: L - Y



[J] : Indicates a wiring Splice Point (Codes are "E" for the Engine Room, "I" for the Instrument Panel, and "B" for the Body).

Example:



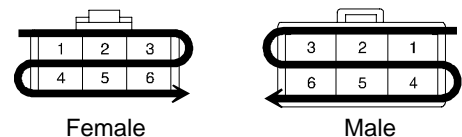
The Location of splice Point I 5 is indicated by the shaded section.

[K] : Indicates a shielded cable.



[L] : Indicates the pin number of the connector. The numbering system is different for female and male connectors.

Example: Numbered in order from upper left to lower right Numbered in order from upper right to lower left



[M] : Indicates a ground point.

The first letter of the code for each ground point(s) indicates the component's location, e.g, "E" for the Engine Compartment, "I" for the Instrument Panel and Surrounding area, and "B" for the Body and Surrounding area.

[N] : Page No.

B HOW TO USE THIS MANUAL

[O] SYSTEM OUTLINE

Current is applied at all times through the STOP fuse to TERMINAL 2 of the stop light SW.
When the ignition SW is turned on, current flows from the GAUGE fuse to TERMINAL 8 of the light failure sensor, and also flows through the rear lights warning light to TERMINAL 4 of the light failure sensor.

STOP LIGHT DISCONNECTION WARNING

When the ignition SW is turned on and the brake pedal is pressed (Stop light SW on), if the stop light circuit is open, the current flowing from TERMINAL 7 of the light failure sensor to TERMINALS 1, 2 changes, so the light failure sensor detects the disconnection and the warning circuit of the light failure sensor is activated.

As a result, the current flows from TERMINAL 4 of the light failure sensor to TERMINAL 11 to GROUND and turns the rear lights warning light on. By pressing the brake pedal, the current flowing to TERMINAL 8 of the light failure sensor keeps the warning circuit on and holds the warning light on until the ignition SW is turned off.

[P] SERVICE HINTS

S6 STOP LIGHT SW

2-1 : Closed with the brake pedal depressed

L4 LIGHT FAILURE SENSOR

1, 2, 7-GROUND : Approx. 12 volts with the stop light SW on

4, 8-GROUND : Approx. 12 volts with the ignition SW at **ON** position

11-GROUND : Always continuity

[Q] ○ : PARTS LOCATION

| Code | See Page | Code | See Page | Code | See Page |
|------|----------|------|----------|------|----------|
| C7 | 34 | L4 | 36 | R7 | 37 |
| H17 | 36 | R6 | 37 | S6 | 35 |

[R] ○ : RELAY BLOCKS

| Code | See Page | Relay Blocks (Relay Block Location) |
|------|----------|-------------------------------------|
| 1 | 18 | R/B No.1 (Instrument Panel Left) |

[S] ○ : JUNCTION BLOCK AND WIRE HARNESS CONNECTOR

| Code | See Page | Junction Block and Wire Harness (Connector Location) |
|------|----------|---|
| IB | 20 | Instrument Panel Wire and Instrument Panel J/B (Lower Finish Panel) |
| 3C | 22 | Instrument Panel Wire and J/B No.3 (Instrument Panel Left Side) |

[T] □ : CONNECTOR JOINING WIRE HARNESS AND WIRE HARNESS

| Code | See Page | Joining Wire Harness and Wire Harness (Connector Location) |
|------|----------|---|
| IE1 | 42 | Floor Wire and Instrument Panel Wire (Left Kick Panel) |
| BV1 | 50 | Luggage Room Wire and Floor Wire (Luggage Compartment Left) |

[U] ▽ : GROUND POINTS

| Code | See Page | Ground Points Location |
|------|----------|-------------------------------|
| BL | 50 | Under the Left Quarter Pillar |
| BO | 50 | Back Panel Center |

[V] ○ : SPLICE POINTS

| Code | See Page | Wire Harness with Splice Points | Code | See Page | Wire Harness with Splice Points |
|------|----------|---------------------------------|------|----------|---------------------------------|
| I5 | 44 | Cowl Wire | B18 | 50 | Luggage Room Wire |

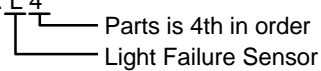
[O] : Explains the system outline.

[P] : Indicates values or explains the function for reference during troubleshooting.

[Q] : Indicates the reference page showing the position on the vehicle of the parts in the system circuit.

Example : Part "L4" (Light Failure Sensor) is on page 36 of the manual.

* The letter in the code is from the first letter of the part, and the number indicates its order in parts starting with that letter.

Example : L 4


[R] : Indicates the reference page showing the position on the vehicle of Relay Block Connectors in the system circuit.

Example : Connector "1" is described on page 18 of this manual and is installed on the left side of the instrument panel.

[S] : Indicates the reference page showing the position on the vehicle of J/B and Wire Harness in the system circuit.

Example : Connector "3C" connects the Instrument Panel Wire and J/B No.3. It is described on page 22 of this manual, and is installed on the instrument panel left side.

[T] : Indicates the reference page describing the wiring harness and wiring harness connector (the female wiring harness is shown first, followed by the male wiring harness).

Example : Connector "IE1" connects the floor wire (female) and Instrument panel wire (male). It is described on page 42 of this manual, and is installed on the left side kick panel.

[U] : Indicates the reference page showing the position of the ground points on the vehicle.

Example : Ground point "BO" is described on page 50 of this manual and is installed on the back panel center.

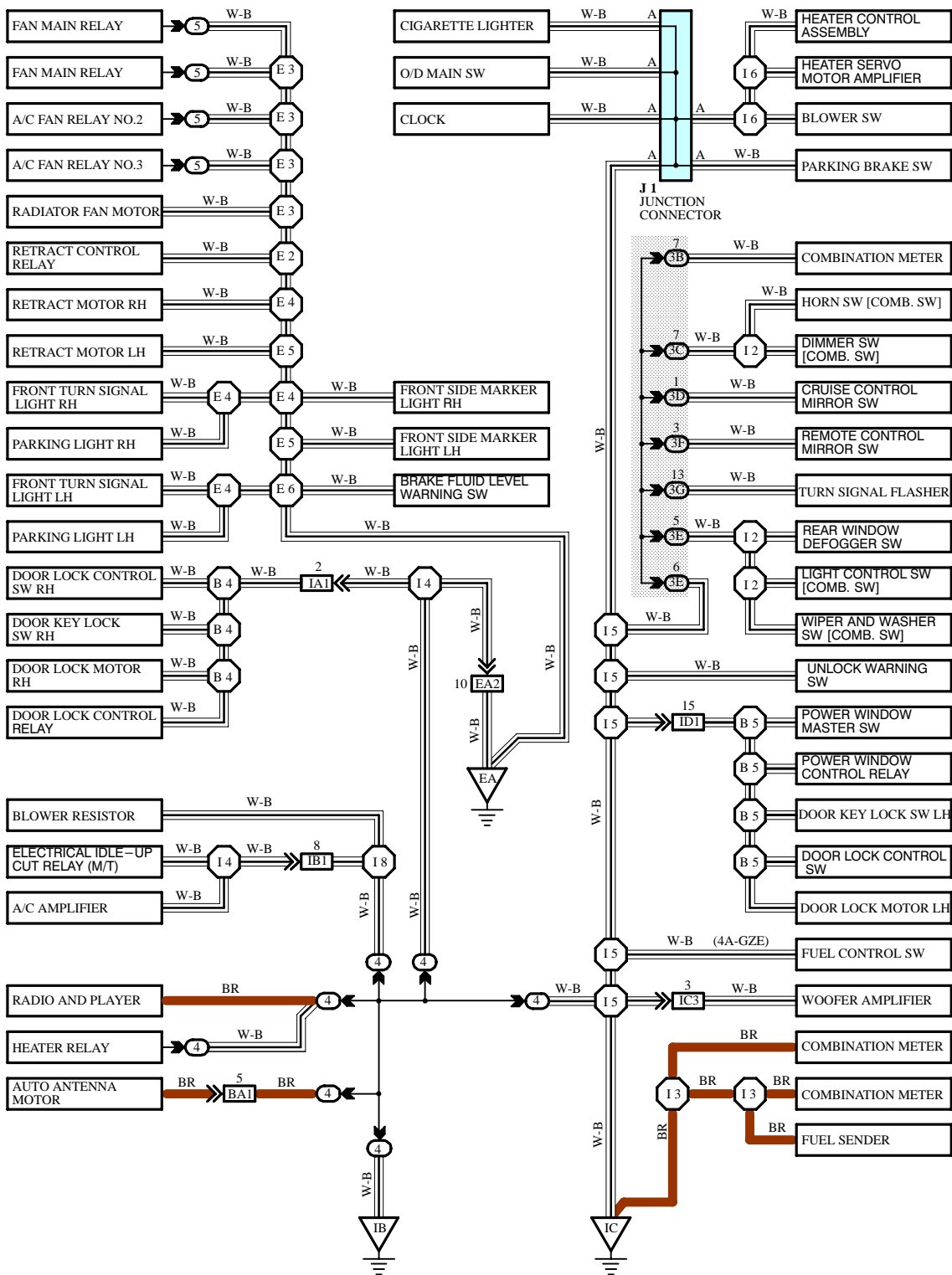
[V] : Indicates the reference page showing the position of the splice points on the vehicle.

Example : Splice point "I5" is on the Cowl Wire Harness and is described on page 44 of this manual.

B HOW TO USE THIS MANUAL

The ground points circuit diagram shows the connections from all major parts to the respective ground points. When troubleshooting a faulty ground point, checking the system circuits which use a common ground may help you identify the problem ground quickly. The relationship between ground points (∇_{EA} , ∇_{IB} and ∇_{IC} shown below) can also be checked this way.

I GROUND POINT

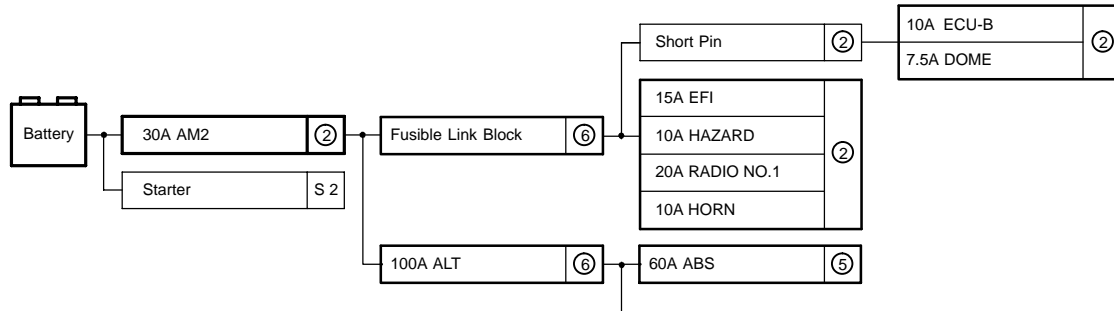


* The system shown here is an EXAMPLE ONLY. It is different to the actual circuit shown in the SYSTEM CIRCUITS SECTION.

The "Current Flow Chart" section, describes which parts each power source (fuses, fusible links, and circuit breakers) transmits current to. In the Power Source circuit diagram, the conditions when battery power is supplied to each system are explained. Since all System Circuit diagrams start from the power source, the power source system must be fully understood.

J POWER SOURCE (Current Flow Chart)

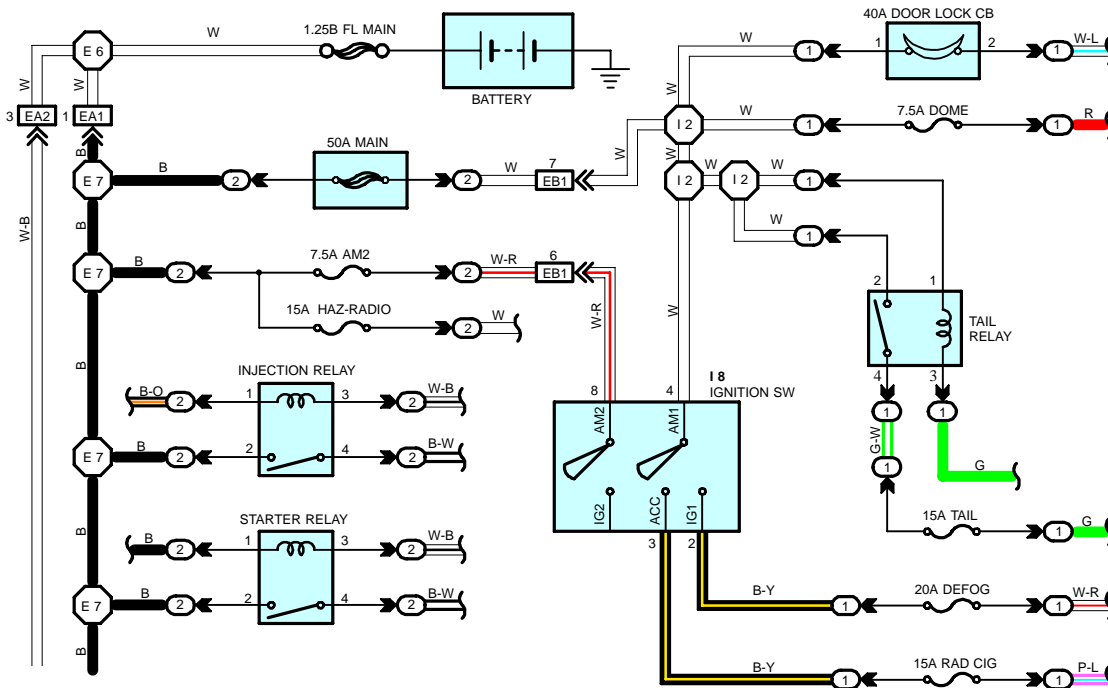
The chart below shows the route by which current flows from the battery to each electrical source (Fusible Link, Circuit Breaker, Fuse, etc.) and other parts.



Engine Room R/B (See Page 20)

| Fuse | System | Page | |
|------|--------|---|-----|
| 20A | STOP | ABS | 194 |
| | | ABS and Traction Control | 187 |
| | | Cruise Control | 180 |
| | | Electronically Controlled Transmission and A/T Indicator | 166 |
| | | Multiplex Communication System | 210 |
| 10A | DOME | Cigarette Lighter and Clock | 214 |
| | | Combination Meter | 230 |
| | | Headlight | 112 |
| | | Interior Light | 122 |
| | | Key Reminder and Seat Belt Warning Light Auto Turn Off 4 Deterrent and Door | |

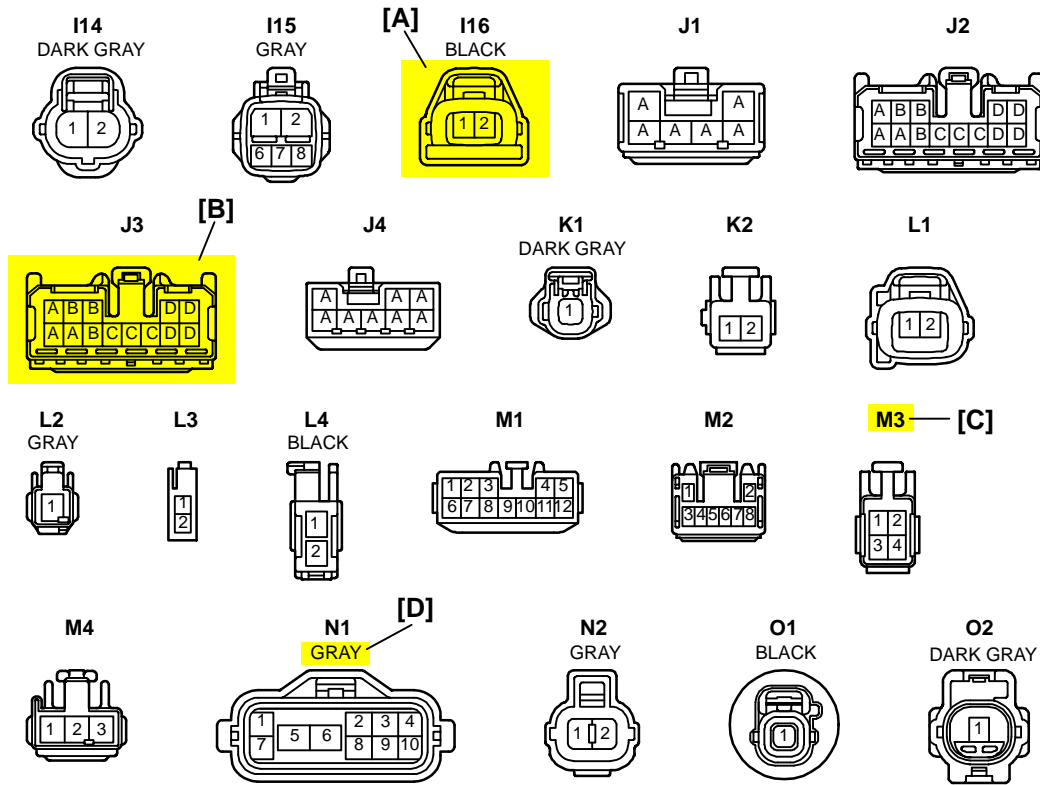
POWER SOURCE



* The system shown here is an EXAMPLE ONLY. It is different to the actual circuit shown in the SYSTEM CIRCUITS SECTION.

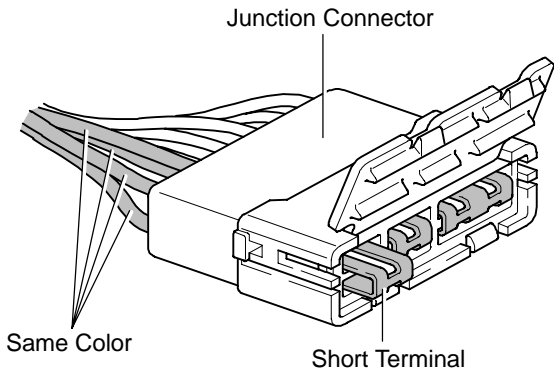
B HOW TO USE THIS MANUAL

K CONNECTOR LIST



[A] : Indicates connector to be connected to a part. (The numeral indicates the pin No.)

[B] : Junction Connector
Indicates a connector which is connected to a short terminal.



Junction connector in this manual include a short terminal which is connected to a number of wire harnesses. Always perform inspection with the short terminal installed. (When installing the wire harnesses, the harnesses can be connected to any position within the short terminal grouping. Accordingly, in other vehicles, the same position in the short terminal may be connected to a wire harness from a different part.)
Wire harness sharing the same short terminal grouping have the same color.

[C] : Parts Code
The first letter of the code is taken from the first letter of part, and the numbers indicates its order in parts which start with the same letter.

[D] : Connector Color
Connectors not indicated are milky white in color.

L PART NUMBER OF CONNECTORS

| Code | Part Name | Part Number | Code | Part Name | Part Number |
|------------|--|------------------------|------|-----------------------------------|-------------|
| A 1 | A/C Ambient Temp. Sensor | 90980-11070 | D 4 | Diode (Door Courtesy Light) | 90980-11608 |
| A 2 | A/C Condenser Fan Motor | 90980-11237 | D 5 | Diode (Key Off Operation) | 90980-10962 |
| A 3 | A/C Condenser Fan Relay | 90980-10940 | D 6 | Diode (Luggage Compartment Light) | 90980-11608 |
| A 4 | A/C Triple Pressure SW (A/C Dual and Single Pressure SW) | 90980-10943 | D 7 | Door Lock Control Relay | 90980-10848 |
| [A] | A/T Oil Temp. Sensor [B] | 90980-11143 [C] | D 8 | Door Courtesy Light LH | 90980-11148 |
| A 6 | ABS Actuator | 90980-11151 | D 9 | Door Courtesy Light RH | |
| A 7 | ABS Actuator | 90980-11009 | D10 | Door Courtesy SW LH | 90980-11097 |
| A 8 | ABS Speed Sensor Front LH | 90980-10941 | D11 | Door Courtesy SW RH | |
| A 9 | ABS Speed Sensor Front RH | 90980-11002 | D12 | Door Courtesy SW Front LH | 90980-11156 |
| A 10 | Airbag Sensor Front LH | 90980-11856 | D13 | Door Courtesy SW Front RH | |
| A 11 | Airbag Sensor Front RH | | D14 | Door Courtesy SW Rear LH | |
| A 12 | | 90980-11194 | D15 | Door Courtesy SW Rear RH | |
| | | 90980-11170 | D16 | Door Courtesy SW Front LH | 90980-11170 |

[A] : Part Code

[B] : Part Name

[C] : Part Number
Toyota Part Number are indicated.

Not all of the above part numbers of the connector are established for the supply. In case of ordering a connector or terminal with wire, please confirm in advance if there is supply for it using "Parts Catalog News" (published by Parts Engineering Administration Dept.).