

<b>DTC</b>	<b>P0450</b>	<b>Evaporative Emission Control System Pressure Sensor Malfunction</b>
------------	--------------	--

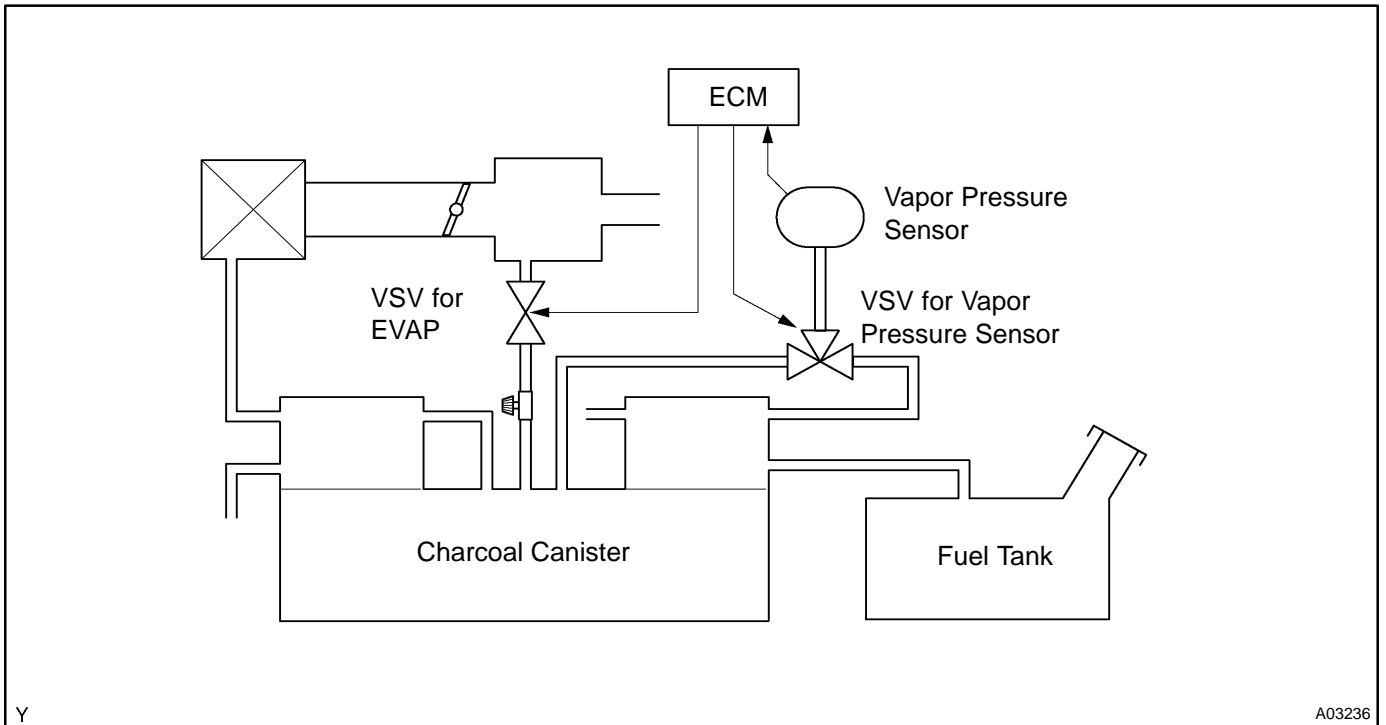
<b>DTC</b>	<b>P0451</b>	<b>Evaporative Emission Control System Pressure Sensor Range/Performance</b>
------------	--------------	--

**CIRCUIT DESCRIPTION**

The vapor pressure sensor and VSV for vapor pressure sensor are used to detect abnormalities in the evaporative emission control system.

The ECM decides whether there is an abnormality in the evaporative emission control system based on the vapor pressure sensor signal.

DTC P0450 or P0451 is recorded by the ECM when the vapor pressure sensor malfunctions.



DTC No.	DTC Detection Condition	Trouble Area
P0450	Condition (a) or (b) continues (2 trip detection logic) (a) PTNK < 0.5 V or PTNK > 4.9 V (Within 10 sec. after starting engine) (b) PTNK < 0.1 V or PTNK > 4.9 V (After 10 sec. after starting engine)	<ul style="list-style-type: none"> <li>• Open or short in vapor pressure sensor circuit</li> <li>• Vapor pressure sensor</li> <li>• ECM</li> </ul>
P0451	Vapor pressure sensor output extremely changes under conditions of (a), (b) and (c): (2 trip detection logic) (a) Vehicle speed: 0 km/h (0mph) (b) Engine speed: Idling (c) VSV for vapor pressure sensor is ON	

## WIRING DIAGRAM

Refer to DTC P0440 on page [DI-84](#) .

## INSPECTION PROCEDURE

HINT:

- If DTC P0441, P0446, P0450 or P0451 is output after DTC P0440, first trouble shoot DTC P0441, P0446 P0450 or P0451. If no malfunction is detected, troubleshoot DTC P0440 next.
- Read freeze frame data using TOYOTA hand-held tester or OBD II scan tool, as freeze frame data records the engine conditions when a malfunction is detected. When troubleshooting, it is useful for determining whether the vehicle was running or stopped, the engine was warmed up or not, the air-fuel ratio was lean or rich, etc. at the time of the malfunction.
- When the ENGINE RUN TIME in the freeze frame data is less than 200 seconds, carefully check the VSV for EVAP, charcoal canister and vapor pressure sensor.

<b>1</b>	<b>Check voltage between terminals VC and E2 of ECM connector (See page <a href="#">DI-84</a> , step 9 ).</b>
----------	---

NG

Check and replace ECM (See page [IN-28](#) ).

OK

<b>2</b>	<b>Check voltage between terminals PTNK and E2 of ECM connector (See page <a href="#">DI-84</a> , step 10 ).</b>
----------	--

OK

Check and replace ECM (See page [IN-28](#) ).

NG

<b>3</b>	<b>Check for open and short in harness and connector between the vapor pressure sensor and ECM (See page <a href="#">IN-28</a> ).</b>
----------	---

NG

Repair or replace harness or connector.

OK

Replace vapor pressure sensor.