

DTC	P0115	Engine Coolant Temp. Circuit Malfunction
------------	--------------	---

CIRCUIT DESCRIPTION

A thermistor built into the engine coolant temperature sensor changes the resistance value according to the engine coolant temperature.

The structure of the sensor and connection to the ECM is the same as in the DTC P0110 shown on page DI-27 .

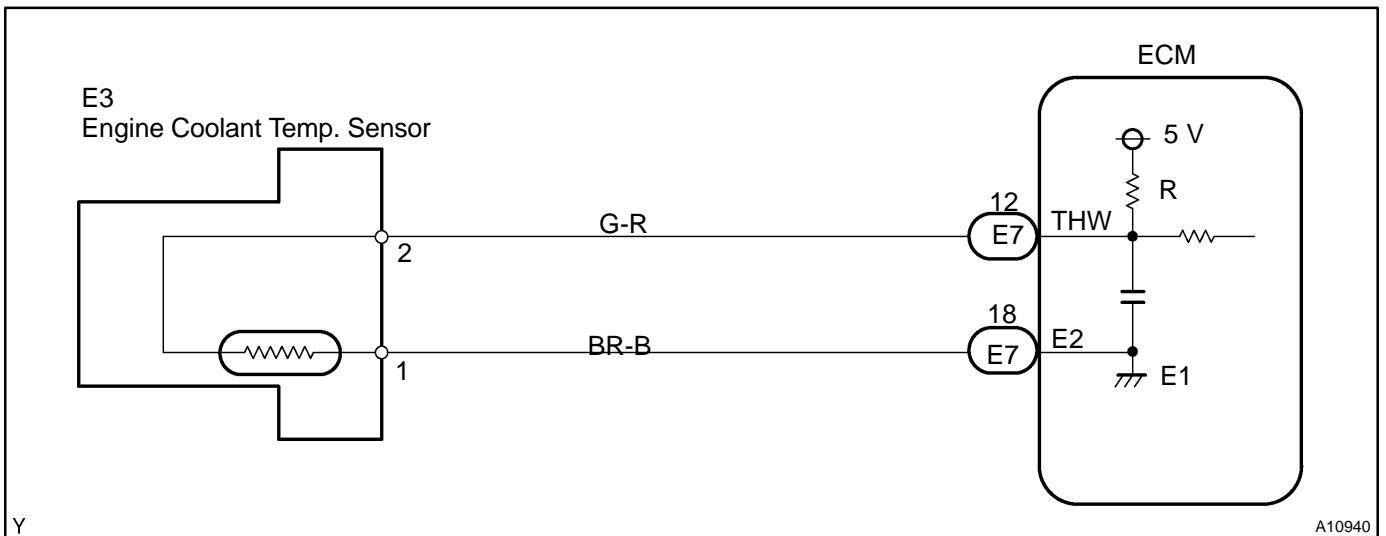
DTC No.	DTC Detection Condition	Trouble Area
P0115	Open or short in engine coolant temp. sensor circuit	<ul style="list-style-type: none"> • Open or short in engine coolant temp. sensor circuit • Engine coolant temp. sensor • ECM

HINT:

After confirming DTC P0115, use the OBD II scan tool or TOYOTA hand-held tester to confirm the engine coolant temperature from the CURRENT DATA.

Temperature Displayed	Malfunction
-40 °C (-40 °F)	Open circuit
140 °C (284 °F) or more	Short circuit

WIRING DIAGRAM



INSPECTION PROCEDURE

HINT:

- If DTCs P0110, P0115 and P0120 are output simultaneously, E2 (sensor ground) may be open.
- Read freeze frame data using TOYOTA hand-held tester or OBD II scan tool, as freeze frame data records the engine conditions when a malfunction is detected. When troubleshooting, it is useful for determining whether the vehicle was running or stopped, the engine was warmed up or not, the air-fuel ratio was lean or rich, etc. at the time of the malfunction.

- 1 Connect OBD II scan tool or TOYOTA hand-held tester, and read value of engine coolant temperature.**

PREPARATION:

- (a) Connect the OBD II scan tool or TOYOTA hand-held tester to the DLC3.
 (b) Turn the ignition switch ON and push the OBD II scan tool or TOYOTA hand-held tester main switch ON.

CHECK:

Read the temperature value on the OBD II scan tool or TOYOTA hand-held tester.

OK:

Same as actual engine coolant temperature.

HINT:

- If there is open circuit, OBD II scan tool or TOYOTA hand-held tester indicates -40°C (-40°F).
- If there is open circuit, OBD II scan tool or TOYOTA hand-held tester indicates 140°C (284°F) or more.

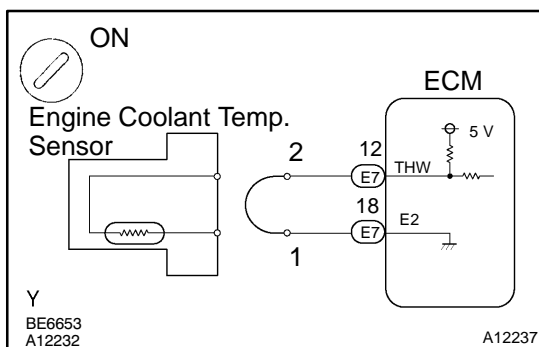
NG

**-40°C (-40°F) ... Go to step 2.
 140°C (284°F) or more ... Go to step 4.**

OK

Check for intermittent problems (See page DI-3).

- 2 Check for open in harness or ECM.**

**PREPARATION:**

- (a) Disconnect the engine coolant temperature sensor connector.
 (b) Connect the sensor wire harness terminals together.
 (c) Turn the ignition switch ON.

CHECK:

Read the temperature value on the OBD II scan tool or TOYOTA hand-held tester.

OK:

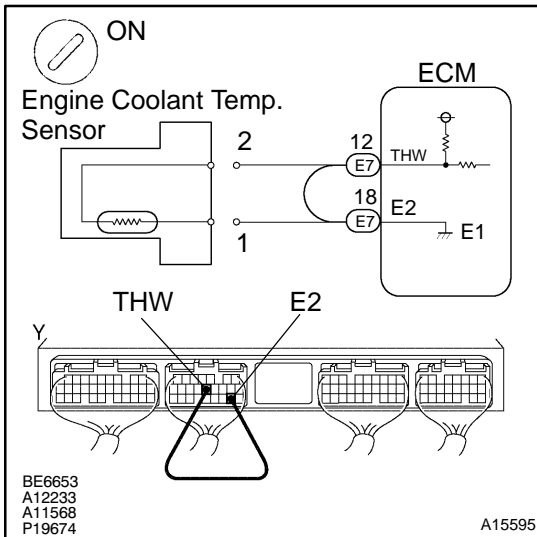
Temperature value: 140°C (284°F) or more

OK

Confirm good connection at sensor. If OK, replace engine coolant temperature sensor.

NG

3 Check for open in harness or ECM.



PREPARATION:

- Remove the glove compartment (See page [SF-49](#)).
- Connect between terminals THW and E2 of the ECM connector.

HINT:

The engine coolant temperature sensor connector is disconnected. Before checking, do a visual and contact pressure check for the ECM connector (See page [IN-28](#)).

- Turn the ignition switch ON.

CHECK:

Read the temperature value on the OBD II scan tool or TOYOTA hand-held tester.

OK:

Temperature value: 140°C (284°F) or more

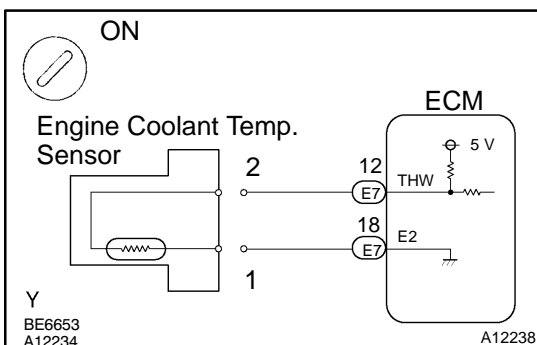
OK

Open in harness between terminal E2 or THW, repair or replace harness.

NG

Confirm good connection at ECM. If OK, replace ECM.

4 Check for open in harness or ECM.



PREPARATION:

- Disconnect the engine coolant temperature sensor connector.
- Turn the ignition switch ON.

CHECK:

Read the temperature value on the OBD II scan tool or TOYOTA hand-held tester.

OK:

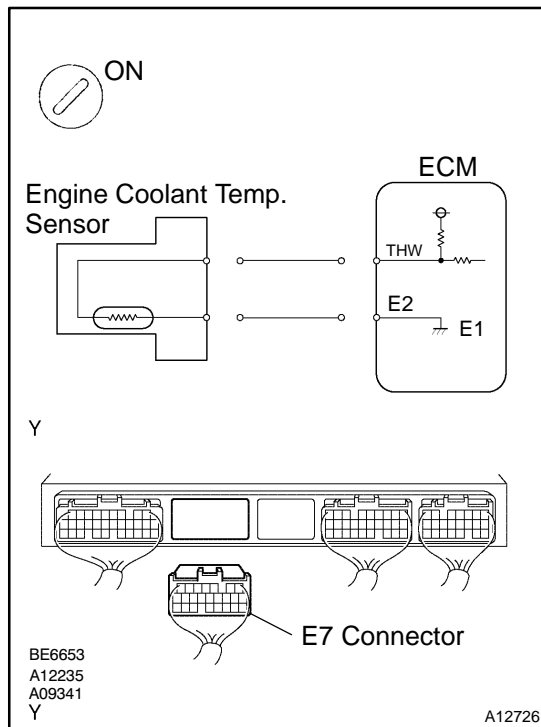
Temperature value: -40°C (-40°F)

OK

Replace engine coolant temperature sensor.

NG

5 Check for short in harness or ECM.



PREPARATION:

- Remove the glove compartment (See page [SF-49](#)).
- Disconnect the E7 connector from the ECM.

HINT:

The engine coolant temp. sensor connector is disconnected.

- Turn ignition switch ON.

CHECK:

Read the temperature value on the OBD II scan tool or TOYOTA hand-held tester.

OK:

Temperature value: -40°C (-40°F)

OK

Repair or replace harness or connector.

NG

Check and replace ECM (See page [IN-28](#)).