

TOYOTA TACOMA 2001-02

SECTION INDEX

A/C HEATER/VENTILATION.....	1424
A/C REFRIGERANT CAPACITIES.....	1424
ABS/BRAKES.....	1426
AIR BAG SYSTEM.....	1425
AIR CLEANER.....	1432
BACK WINDOW.....	1443
CAB.....	1436
CENTER CONSOLE.....	1435
CLEAR COAT IDENTIFICATION.....	1422
COOLING.....	1423
CRUISE CONTROL SYSTEM.....	1426
ELECTRICAL.....	1433
EMISSION SYSTEM.....	1433
ENGINE OIL COOLER.....	1424
ENGINE/TRANS.....	1431
ENGINE/TRANS MOUNTS.....	1432
EXHAUST.....	1433
FRAME.....	1426
FRONT BUMPER.....	1422
FRONT DOOR.....	1441
FRONT DRIVE AXLE.....	1430
FRONT FENDER.....	1425
FRONT LAMPS.....	1422
FRONT SEAT.....	1439
FRONT STEERING LINKAGE/GEAR.....	1430
FRONT SUSPENSION.....	1428
FUEL TANK.....	1446
GRILLE.....	1422
HOOD.....	1423
INFORMATION LABELS.....	1422
INSTRUMENT PANEL.....	1434
PAINT CODE LOCATION.....	1422
PICKUP BED.....	1444
QUARTER GLASS.....	1443
REAR BUMPER.....	1447
REAR DOOR.....	1442
REAR LAMPS.....	1447
REAR SUSPENSION.....	1445
SEAT BELTS.....	1440
SPECIAL CAUTIONS.....	1422
STEERING PUMP.....	1430
STEERING WHEEL/COLUMN.....	1431
SUNROOF.....	1443
TAILGATE.....	1445
UNDERHOOD DIMENSIONS.....	1425
WHEEL.....	1427
WINDSHIELD.....	1434

SPECIAL CAUTIONS

SUPPLEMENTAL RESTRAINT SYSTEM SRS

Refer to Procedure Explanation 29 for Supplemental Restrain/Air Bag Special Cautions.

PAINT CODE LOCATION

Paint code located on left lock pillar.

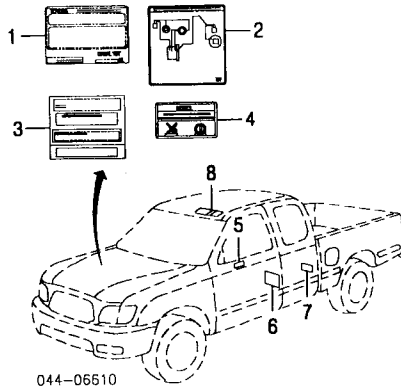
CLEAR COAT IDENTIFICATION

All colors are clear coat.

INFORMATION LABELS

Illustration Located in Next Column

1 Label, Emission			
4 Cyl			
2.4L Eng	01 11298-75560		1.54
	02 11298-75600		1.54
2.7L Eng			
2WD			
Regular Cab, Xtra Cab	01 11298-75570		1.54
	02 11298-75610		1.54
Double Cab	01 11298-75580		1.54
	02 11298-75620		1.54
4WD			



044-06510

Regular Cab	01 11298-75570		1.54
	02 11298-75610		1.54
Xtra Cab	01 11298-75580		1.54
	02 11298-75610		1.54
6 Cyl			
2WD			
PreRunner Model	01 11298-62710		.80
	02 11298-62750		.80
S-Runner Model	01 11298-62700		.80
	02 11298-62740		.80
4WD	01 11298-62710		.80
	02 11298-62750		.80
2 Label, Vacuum Routing			
4 Cyl			
2.4L Eng	01 17792-75330		1.60
	02 17792-75340		1.54
2.7L Eng	01 17792-75320		1.60
	02 17972-75350		0.00
6 Cyl	01 17792-62250		5.23
	02 17792-62280		.80
3 Label, Timing Belt Replacement			
6 Cyl	13564-10010		1.69
4 Label, Spark Plug Caution			
6 Cyl	11289-62020		1.37
5 Label, Diff/Lock Caution			
6 Cyl	41991-35020		1.94
6 Label, Tire Pressure			
2WD			
4 Cyl			
2.4L Eng	42661-04010		1.74
2.7L Eng			
Regular Cab, Xtra Cab	42661-04030		1.74
Double Cab	42661-04040		1.74
6 Cyl			
PreRunner Model	42661-04030		1.74
Xtra Cab	42661-04040		1.74
Double Cab	42661-04040		1.74
S-Runner Model	42661-04020		1.74
4WD			
Regular Cab, Xtra Cab	42661-04030		1.74
Double Cab	42661-04040		1.74
7 Label, Child Lock Caution			
Double Cab	R/L 69339-12010		.77
8 Label, Transfer Information			
4WD			
w/2-4 Selector	36369-35400		4.34
w/o 2-4 Selector	36369-35390		4.34
Label, Air Bag	74599-06010		1.37
Label, A/C Caution	88723-35050		1.65
†Order by Application			

FRONT BUMPER

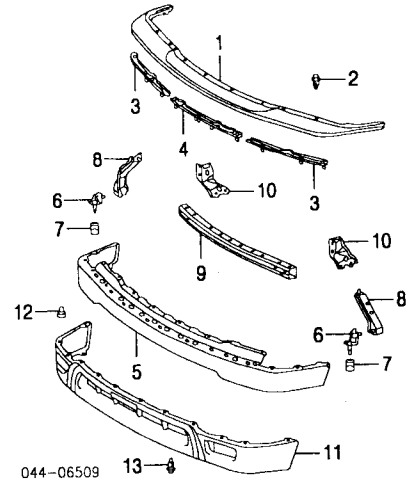
Use Procedure Explanations 1 and 28 with the following text.

Refinish Bumper Filler.....	1.3
Refinish Bumper Bar.....	1.6
R&I Bumper Assy.....	#1.0
*Time is to R&I Bumper & Valance as an Assy	
O/H Bumper Assy (Includes R&I).....	#1.9
*Includes R&R Valance Panel & Signal Lamps	

NOTE: All Parts in this section are included in overhaul unless noted otherwise.

Illustration Located in Next Column

1 Filler, Bumper			
Gray	52119-AD010		1.3
Paint to Match	52119-AD010		1.3
2 Clip, Bumper Cover (B)			
R	52161-02020		1.69
3 Brkt, Dtr Bumper			
R	52133-AD010		13.12
L	52134-AD010		13.12
	52533-AD010		17.12
4 Brkt, Ctr Bumper			
5 Bar, Bumper			
Chrome	52101-AD030		#1.9 249.80
Gray	52101-AD020		#1.9 199.83
Paint to Match	52101-AD900		#1.9 139.90
*Includes R&R Valance Panel & Signal Lamps			
6 Brkt, Bumper Mtg			
R	52145-AD010		8.29
L	52146-AD010		8.29
R/L	90540-08018		3.94
7 Bushing, Mounting			

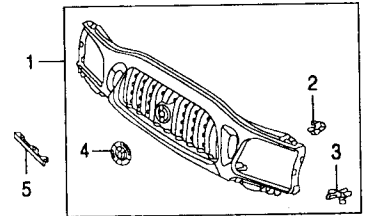


044-06509

8 Brace, Fender/Apron-See Front Fender Section			
9 Reinforcement, Bumper	52131-AD010	#3	183.84
*w/Bumper Assy Removed, Not Included in O/H			
10 Bracket, Bumper			
	R 52141-AD020	IOH	28.27
	L 52142-AD020	IOH	28.27
11 Panel, Valance			
2WD			
w/PreRunner Model	53901-AD030		.7 128.09
w/o PreRunner Model	53901-AD010		.7 128.09
4WD	53901-AD030		.7 128.09
12 Grommet, Valance			
	R/L 90189-06214		.60
13 Clip, Valance			
	R/L 52161-02020		1.69

GRILLE

Refinish Grille Assy.....		1.0
Refinish Lower Filler.....	R/L	.5
R&I Grille Assy.....		#.7
*Includes R&R Park Lamps		



044-06510

1 Grille Assy			
w/S-Runner Model			
Black (Code 209)	53100-04270-C1	#.7	157.46
Red (Code 3L5)	53100-04270-D2	#.7	157.46
w/o S-Runner Model			
Chrome	53100-04240	#.7	221.27
Black (Code 209)	53100-04250-C0	#.7	157.46
Gray	53100-04230	#.7	102.49
Red			
Code 3L5	53100-04250-D0	#.7	157.46
Code 3P1	53100-04250-D1	#.7	157.46
Silver (Code 1C8)	53100-04250-B0	#.7	157.46
*Includes R&R Park Lamps			
2 Clip, Upper Grille (7)			
	90467-12040		.66
3 Clip, Lower Grille			
	R/L 53145-12010		2.63
4 Emblem (Adhesive)			
	75311-04040		.2 21.92
†Included w/Grille Assy			
5 Filler, Lower (P)			
	R 52512-35050	#.1	14.03
	L 52513-35060	#.1	14.03
(P) Paint to Match			
*w/Grille Removed			

FRONT LAMPS

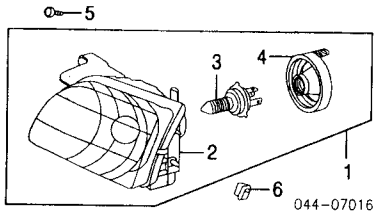
HEADLAMP

Aim Lamps.....			.4
R&I Headlamp Assy.....	R/L	#1.0	
*Includes R&R Grille & Park Lamps			

NOTE: R&R Does Not include aim lamps.

Illustration Located in Next Column

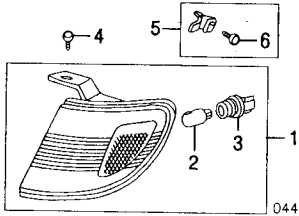
1 Headlamp Assy			
	R 81110-04110	#1.0	178.34
	L 81150-04110	#1.0	178.34
2 Lens & Housing			
	R 81130-04110	#1.0	157.09



1	L 81170-04110	#1.0	157.09
#Includes R&R/R Grille & Park Lamps			
3	Bulb, Headlamp	R/L 90084-98033	#2 21.46
#Includes in R&R Lens & Housing			
4	Cover, Socket	R/L 81139-0C020	11.00
#Included w/Headlamp Assy			
5	Bolt, Mtg	R/L 90119-06506	.66
6	Nut, Retainer (2/Side)	R/L 90179-06274	.57

PARK LAMP

Refinish Park Lamp Assy	R/L	.3
R&I Park Lamp Assy	R/L	#2
#Included in R&I/R&R Fender		

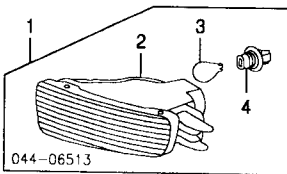


1	Lamp Assy, Park		
Chrome			
R	81610-04080	#2	57.67
L	81620-04080	#2	57.67
Black (Code 209)			
R	81610-04090-C0	#2	57.67
L	81620-04090-C0	#2	57.67
Gray			
R	81610-04070	#2	57.67
L	81620-04070	#2	57.67
Red			
Code 3L5			
R	81610-04090-D0	#2	57.67
L	81620-04090-D0	#2	57.67
Code 3P1			
R	81610-04090-D1	#2	57.67
L	81620-04090-D1	#2	57.67
Silver (Code 1C8)			
R	81610-04090-B0	#2	57.67
L	81620-04090-B0	#2	57.67

#Included in R&I/R&R Fender			
2	Bulb, Park Lamp	R/L 90080-81059	2 3.97
3	Socket, Bulb	R/L 81615-04010	15.92
#Included w/Park Lamp Assy			
4	Bolt, Mtg	R/L 93560-54012	.49
5	Retainer Assy	R 53137-04010	3.06
		L 53138-04010	3.06
6	Bolt, Mtg	R/L 90168-40122	.57
#Included w/Retainer Assy			

SIGNAL LAMP

R&I Signal Lamp Assy	R/L	#2
#Included in R&R or OH Front Bumper		

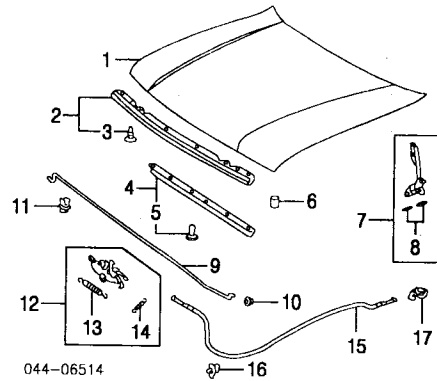


1	Lamp Assy, Signal	R 81510-04080	#2 47.70
		L 81520-04080	#2 47.70
2	Lens & Housing	R 81511-04080	#2 43.04
		L 81521-04080	#2 43.04
#Included in R&R or OH Front Bumper			
3	Bulb, Signal	R/L 90084-98062	#2 3.80
#Included in R&R Lens & Housing			
4	Socket, Bulb	R/L 90069-81003	7.56
#Included w/Signal Lamp Assy			

HOOD

Use Procedure Explanations 4 and 28 with the following text.

Refinish Hood Outside	2.5
Add for Underside	1.2
Refinish Hinge	R/L 2
R&I Hood Assy	4



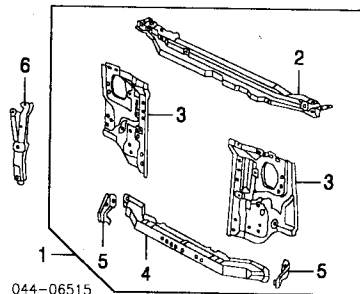
1	Panel, Hood	53301-04051	.7	257.91
2	Seal Assy, Front Hood	53183-04010	.2	35.35
3	Clip, Seal (10)	90467-08011-83		.33
#Included w/Front Hood Seal Assy				
4	Seal Assy, Rear Hood	53381-AD010	.2	27.98
5	Clip, Seal (6)	90467-08011-83		.33
#Included w/Rear Hood Seal Assy				
6	Bumper, Hood	R/L 90541-15004	#2	3.89
7	Hinge Assy, Hood	R 53410-35010	#2	22.58
		L 53420-35010	#2	22.58
#Hood & Fender Removed				
8	Pad, Hood Hinge			
	Front	R/L 53498-50010		.80
	Rear	R/L 53497-AC010		1.05
#Included w/Hood Hinge Assy				
9	Rod, Hood Prop	53441-04030	.1	10.52
10	Grommet, Prop Rod	90480-15028		1.83
11	Holder, Prop Rod	53452-90351		3.60
12	Latch Assy	53510-35180	.2	38.50
13	Spring, Latch/Cable	90506-20008		2.11
14	Spring, Latch Safety	90506-07021		1.46
#Included w/Latch Assy				
15	Cable, Release	53630-04020	.7	22.89
16	Clip, Cable	90467-11061		.63
17	Handle, Hood Release			
	Bluish Gray	53601-01020-B2	#3	37.55
	Charcoal	53601-01020-B4	#3	39.75
	Moon Mist	53601-01020-B3	#3	36.52
	Oak	53601-01020-E3	#3	37.55
#Included in R&R Release Cable				

COOLING

Use Procedure Explanations 5 and 28 with the following text.

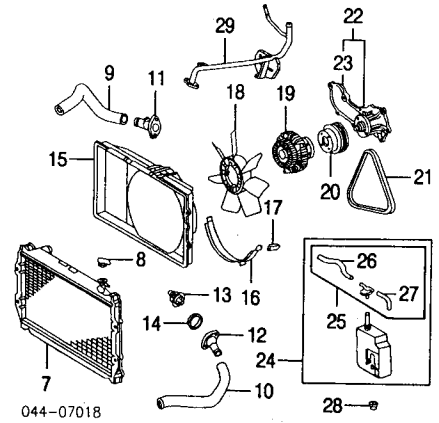
4 CYL

Refinish Radiator Support	1.5
Refinish Upper Tie Bar	.5
Refinish Side Support Panel	R/L .5
Refinish Lower Tie Bar	.5
Add to R&R Radiator Support Assy	
To R&I/R&R Base Model Mechanical Components	m #1
#Includes R&I/R&R Vapor Canister	
w/ A/C	m #4
#Includes R&I/R&R A/C Condenser & Receiver/Drier	
w/Auto Trans	.2
w/Skid Plate	.2
To Aim Lamps	.4
Evacuate & Recharge System	m 1.4
Recover Refrigerant	m .3



1	Support Assy, Radiator		
2001			
	To 5-01	53201-04080	#7.3 279.94
	From 5-01	53201-04081	#7.3 279.94
2002			
		53201-04081	#7.3 279.94
#Includes R&I/R&R Headlamp Assemblies and Grille, R&R Radiator, Shroud, Windshield Washer Reservoir, Air cleaner Assy, Coolant Overflow Tank, Battery & Tray, Engine Front Cover, Latch, Hood Prop Rod & Disconnect & Connect Hood Release Cable, Wiring &/or Harness as Necessary			
2	Bar, Upper Tie	53216-04022	1.5 94.95
3	Panel, Side Support	R 53211-04902	2.0 108.21

4	Bar, Lower Tie	L 53212-04902	2.0	108.21
		R 57104-35020	2.5	129.84
5	Bracket, Mounting	R 57211-04010	.3	9.20
		L 57212-04010	.3	9.20
#Included w/Radiator Support Assy				
6	Brace, Latch Support	53217-35020	.2	29.07



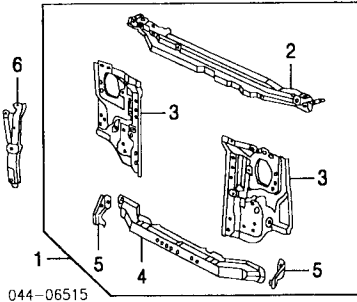
7	Radiator		
2.4L Eng			
	Man Trans	16410-0C013	1.1 362.96
	Auto Trans	16410-0C023	1.3 345.02
2.7L Eng			
	Man Trans	16410-0C031	1.1 383.41
	Auto Trans	16410-0C041	1.3 372.56
8	Cap, Radiator	16401-0C010	13.91
9	Hose, Upper Rad		
	2.4L Eng	16671-0C011	#6 15.74
	2.7L Eng	16671-0C021	#6 15.74
10	Hose, Lower Rad		
2WD			
	2.4L Eng	16572-0C011	#9 15.74
	2.7L Eng	16572-0C031	#9 15.74
4WD			
	Man Trans	16572-0C021	#9 10.49
	Auto Trans	16572-0C031	#9 15.74
#R&R Both 1.1			
11	Housing, Outlet	16331-0W010	.7 23.95
12	Housing, Thermostat	16321-0W010	1.0 26.61
13	Thermostat	90916-03120	12.86
14	Gasket, Thermostat	16325-76010	4.29
15	Shroud, Fan		
2WD			
	2.4L Eng	16711-0C011	#3 95.28
	2.7L Eng	16711-0C031	#3 95.28
4WD			
	Man Trans	16711-0C021	#3 95.28
	Auto Trans	16711-0C031	#3 95.28
16	Shroud, Lower Fan	16712-0C011	#3 26.84
17	Clip, Lwr Fan Shroud	R/L 90468-06092	#3 .10
#R&R Complete			
18	Blade, Fan	16361-75020	#6 71.23
19	Clutch, Fan	16210-75060	#6 124.75
20	Pulley, Fan	16371-75030	#6 76.34
#R&R Complete			
21	Belt, Drive-See Electrical Section		
22	Pump Assy, Water	16100-79255	m #1.6 111.62
23	Gskt, Water Pump	16124-75030	m #1.6 8.40
#Included w/Water Pump Assy			
#w/Engine Cover Removed, Includes R&R Fan, Clutch, Pulley, Shroud, Power Steering Belt & Alternator Belt, w/ A/C Add 2			
24	Tank Assy, Coolant	16470-0C011	.3 68.56
25	Cap Assy, Coolant Tank	16405-0C010	5.60
26	Hose, Inlet (a)	16472-0C021	2.89
27	Hose, Outlet (a)	16472-0C010	8.09
#Included w/Coolant Tank Assy			
(a) Included w/Coolant Tank Cap Assy			
28	Grommet, Tank Hose	90480-25025	7.49
29	Pipe, By-Pass	16268-75080	34.10

6 CYL

Refinish Radiator Support	1.5
Refinish Upper Tie Bar	.5
Refinish Side Support Panel	R/L .5
Refinish Lower Tie Bar	.5
Add to R&R Radiator Support Assy	
To R&I/R&R Base Model Mechanical Components	m #5
#Includes R&I/R&R Vapor Canister & Eng Oil Cooler	
w/ A/C	m #4
#Includes R&I/R&R A/C Condenser & Receiver/Drier	
w/Auto Trans	.2
w/Skid Plate	.2
To Aim Lamps	.4
Evacuate & Recharge System	m 1.4
Recover Refrigerant	m .3

COOLING Cont'd

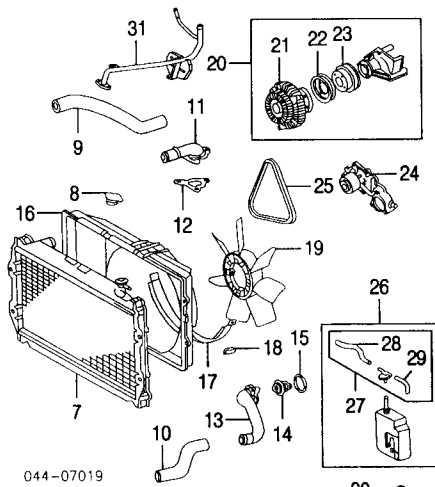
6 CYL Cont'd



044-06515

1 Support Assy, Radiator

2001				
To 5-01	53201-04080	#7.3	279.94	
From 5-01	53201-04081	#7.3	279.94	
2002	53201-04081	#7.3	279.94	
#Includes R&R Headlamp Assemblies and Grille, R&R Radiator, Shroud, Windshield Washer Reservoir, Air cleaner Assy, Coolant Overflow Tank, Battery & Tray, Engine Front Cover, Latch, Hood Prop Rod & Disconnect & Connect Hood Release Cable, Wiring &/or Harness as Necessary				
2 Bar, Upper Tie	53216-04022	1.5	94.95	
3 Panel, Side Support	R 53211-04902	2.0	108.21	
	L 53212-04902	2.0	108.21	
4 Bar, Lower Tie	57104-35020	2.5	129.84	
5 Bracket, Mounting	R 57211-04010	3	9.20	
	L 57212-04010	3	9.20	
#Included w/Radiator Support Assy				
6 Brace, Latch Support	53217-35020	2	29.07	



044-07019

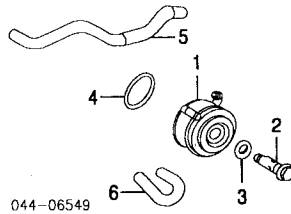
7 Radiator

Man Trans	16410-0C031	1.0	383.41	
Auto Trans	16410-0C041	1.2	372.56	
8 Cap, Radiator	16401-0C010		13.91	
9 Hose, Upper Rad	16571-07030	#6	13.28	
10 Hose, Lower Rad				
Man Trans	16572-07030	#9	12.64	
Auto Trans	16572-07040	#9	13.28	
#R&R Both Upper & Lower 1.1				
11 Housing, Outlet	16331-62040	7	28.09	
12 Gskt, Housing	16341-62040		2.72	
13 Housing, Thermostat	16321-62020	1.0	52.36	
14 Thermostat	90916-03075		21.72	
15 Gasket, Thermostat	16325-62010		4.57	
16 Shroud, Fan				
Man Trans	16711-07020	#3	95.28	
Auto Trans	16711-07030	#3	95.28	
17 Shroud, Lower Fan	16712-07010	#3	26.84	
#R&R Complete				
18 Clip, Lwr Fan Shroud	R/L 90468-06092		10	
19 Blade, Fan	16361-62010	3	92.64	
20 Pulley/Clutch Assy				
2WD				
Man Trans	16307-62030	#1.2	283.31	
Auto Trans	16307-62011	#1.2	432.21	
4WD	16307-62011	#1.2	432.21	
21 Clutch, Fan				
2WD				
Man Trans	16210-62030	#1.2	124.75	
Auto Trans	08921-04950	#1.2	123.44	
4WD	08921-04950	#1.2	123.44	
22 Pulley, Outer	16371-62010	#1.2	29.78	
23 Pulley, Inner	16372-65010	#1.2	35.67	
#Included w/Pulley/Clutch Assy				

#R&R Complete, Includes R&R Fan Blade, w/ A/C Add .4				
24 Pump, Water	16100-69395-83	m #2.6	125.24	
#w/Engine Under Cover Removed, Includes R&R Fan, Clutch, Pulley, Shroud, Power Steering & Alternator Belt, w/ A/C Add .5				
25 Belt, Drive-See Electrical Section				
26 Tank Assy, Coolant	16470-0C011	3	68.56	
27 Cap Assy, Coolant Tank	16405-0C010		5.60	
28 Hose, Inlet	16472-0C021		2.89	
29 Hose, Outlet	16472-0C010		8.09	
#Included w/Coolant Tank Assy				
(a) Included w/Coolant Tank Cap Assy				
30 Grommet, Tank Hose	90480-25025		7.49	
31 Pipe, By-Pass	16268-62060		47.33	

ENGINE OIL COOLER

6 CYL



044-06549

1 Cooler, Eng Oil

2WD				
PreRunner Model	15710-62060	m #1.2	451.10	
S-Runner Model	15710-62050	m #1.2	511.06	
4WD				
Man Trans	15710-62040	m #1.2	570.99	
Auto Trans	15710-62060	m #1.2	451.10	
2 Valve, Relief				
2WD				
PreRunner Model	15695-62030	m #1.2	9.97	
S-Runner Model	15695-62020	m #1.2	7.97	
4WD				
Man Trans	15695-62010	m #1.2	10.37	
Auto Trans	15695-62030	m #1.2	9.97	
#R&R Complete				
3 Seal, Cooler	90210-22001		3.53	
4 O-Ring, Cooler	90301-67004		3.46	
5 Hose, Cooler Inlet	15778-62030	m #3	23.85	
6 Hose, Cooler Outlet	15777-62020	m #3	9.59	
#R&R Both .4				

A/C REFRIGERANT CAPACITIES

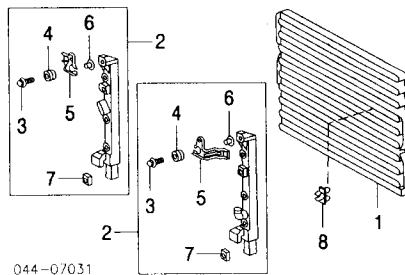
A/C R-134a Refrigerant Capacity
2001-02: 19.4-23.0 Ozs (1.21-1.43 Lbs)

A/C /HEATER/VENTILATION

Use Procedure Explanation 6 with the following text.

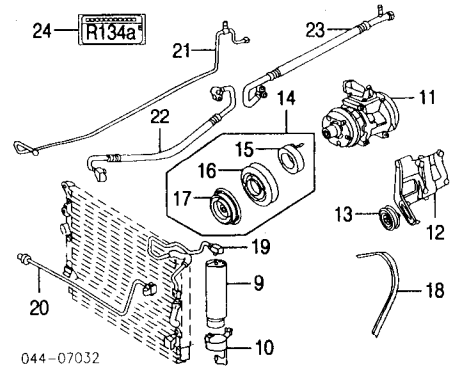
Evacuate & Recharge System	m 1.4
Recover Refrigerant	m 3

NOTE: R&R/R Does Not include recover, evacuate and recharge system.



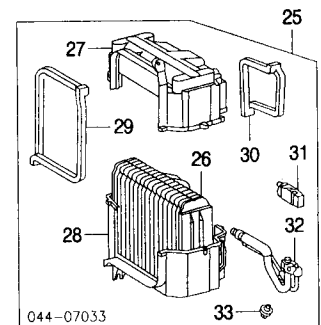
044-07031

1 Condenser	88461-04030	m #1.7	181.37	
#Includes R&I Grille & R&I Latch Support Brace				
2 Bracket Assy, Condenser	R 88463-04020	#	17.12	
	L 88463-04030	#	16.06	
#Included in R&R Condenser				
3 Bolt, Mounting Bracket	R/L 90099-04465		7.70	
4 Bushing, Cond Mtg	R/L 90099-32128		.86	
5 Plate, Mounting	R 88688-04100		3.01	
	L 88688-04090		3.01	
6 Collar, Mounting Bushing	R/L 88895-89102		.33	
7 Insulator, Lower	R/L 88467-35010		13.75	
#Included w/Condenser Bracket Assy				
8 Clip, Front Evaporator Pipe	88718-35090		1.49	



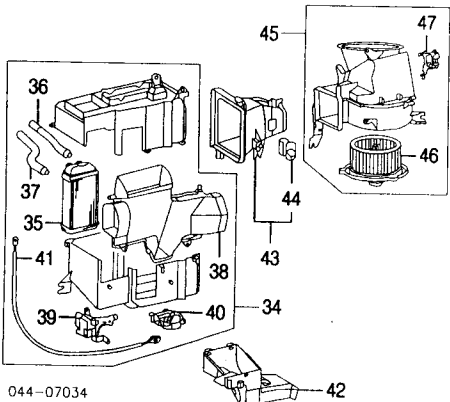
044-07032

9 Receiver/Drier	88471-20050	m #1.0	51.94	
#Includes R&I Grille				
10 Brkt, Receiver/Drier	88472-04020	#1	9.37	
#w/Receiver/Drier Removed				
11 Compressor				
4 Cyl	88320-35540	m #1.1	974.79	
6 Cyl	88320-04010	m #1.1	861.23	
#Includes R&R Engine Under Cover & Fan Shroud				
12 Brkt, Compressor				
4 Cyl	88431-34020	#2	90.49	
6 Cyl	88431-0C020	#2	100.16	
#w/Compressor Assy Removed				
13 Pulley, Idler				
4 Cyl	88440-04030	m .6	35.76	
6 Cyl	88440-04040	m .6	32.52	
14 Clutch Assy, Compressor				
4 Cyl	88410-34020	m #1.1	211.40	
6 Cyl	88410-35340	m #1.1	218.79	
15 Stator, Clutch				
4 Cyl	88411-04010	m #1.1	0.00	
6 Cyl	88411-0C010	m #1.1	45.26	
16 Rotor, Clutch				
4 Cyl	88412-95J00	m #1.1	127.59	
6 Cyl	88412-35090	m #1.1	204.12	
17 Hub, Clutch	88403-30290	m #1.1	94.54	
#Included w/Compressor Clutch Assy				
#R&R Complete, Includes R&R Engine Under Cover & Fan Shroud, Included in R&R Compressor				
18 Belt, Drive	93364-20870-78	.5	23.81	
19 Pipe, Condenser	88716-04103	m #1	32.72	
20 Pipe, Front Evaporator	88716-04280	m #1.1	37.01	
#w/Grille Removed				
21 Pipe, Rear Evaporator	88716-04270	m 1.0	25.69	
22 Hose, Discharge				
4 Cyl	88711-04100	m #5	49.90	
6 Cyl	88711-04110	m #5	35.87	
23 Hose, Suction				
4 Cyl	88712-04100	m #5	60.96	
6 Cyl	88712-04110	m #5	46.61	
#R&R Both .8				
24 Label, A/C Caution-See Information Labels Section				



044-07033

25 Evaporator Assy	88510-04190	m #1.0	355.07	
#Includes R&I Glove Box, Glove Box Reinf & Inst Panel Finisher				
26 Core, Evaporator	88501-04030	m #1.2	320.73	
27 Case, Upper Evaporator	88502-04010	m #1.2	10.31	
28 Case, Lower Evaporator	88502-04021	m #1.2	12.21	
29 Gskt, Outer Case				
Factory Installed	88578-04220	m #1.2	1.55	
Dealer Installed	88578-04120	m #1.2	8.46	
30 Gskt, Inner Case				
Factory Installed	88578-04230	m #1.2	1.55	
Dealer Installed	88578-04130	m #1.2	8.46	
31 Valve, Expansion	88515-20100	m #1.2	67.59	
32 Pipe, Liquid	88710-04120	m #1.2	40.73	
33 Switch, Pressure	88645-34010	m #1.2	32.44	
#Included w/Evaporator Assy				
#R&R Complete, Includes R&R Glove Box, Glove Box Reinf & Inst Panel Finisher				



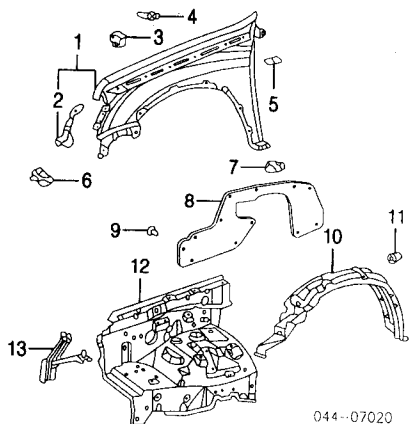
34 Heater Assy	87150-04060	m #4.0	523.69
<i>#Includes R&R Evaporator Assy, Glove Box, Glove Box Reinf & Inst Panel Finisher, w/ A/C Add 1.0</i>			
35 Core, Heater	87107-0C010	m #4.2	280.94
36 Pipe, No. 1 Heater	87156-04010	m #4.2	9.23
37 Pipe, No. 2 Heater	87156-04020	m #4.2	9.23
38 Duct, Upper Air	87211-04040	m #4.2	58.36
39 Motor, Upper Servo	87106-04020	m #4.2	125.86
40 Motor, Lower Servo	87106-04030	m #4.2	125.86
41 Cable, Water Valve	87286-04010	m #4.2	13.20
<i>#Included w/Heater Assy</i>			
42 Duct, Lower Air	87211-04080	m #4.2	36.30
2 Door	87211-04070	m #4.2	11.20
43 Duct Assy, Blower	87211-04061	m #4.2	63.42
<i>#R&R Complete, Includes R&R Evaporator Assy, Glove Box, Glove Box Reinf & Inst Panel Finisher, w/ A/C Add 1.0</i>			
44 Resistor	87138-35040	m #5	13.32
<i>#Included w/Blower Duct Assy</i>			
45 Blower Assy	87130-04050	m #1.0	447.96
46 Fan/Motor, Blower	87103-04030	m #7	110.97
47 Motor, Blower Servo	87106-04010	m #5	131.58
<i>#Included w/Blower Assy</i>			

FRONT FENDER

Use Procedure Explanations 7 and 28 with the following text.

SHEET METAL

Refinish Fender Outside	R/L	2.0
Add to Edge Fender	R/L	.5
Refinish Apron Assy	R/L	1.0
R&I Fender Assy	R/L	1.2

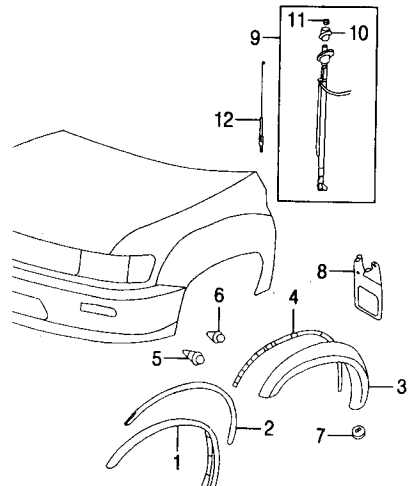


1 Fender Assy	R 53801-04060	1.5	255.01
w/Wheel Opening Flares	L 53802-04080	1.5	255.01
w/o Wheel Opng Flares	R 53801-04050	1.5	255.01
	L 53802-04070	1.5	255.01
2 Brlt, Front Fender	R 53803-35010	24.75	24.75
	L 53804-35020	24.75	24.75
<i>#Included w/Fender Assy</i>			
3 Bumper, Fender	R/L 53384-AD010		5.63
4 Brlt, Fender Bumper	R 53386-20020		3.94
	L 53385-20020		3.94
5 Seal, Rear Fender	R/L 53882-16030		.54
6 Retainer, Filler	R 52522-35050		1.46
	L 52523-35050		1.46
7 Spacer, Fender	R/L 53878-34010		12.06
8 Seal, Fender			
4 Cyl			
2.4L Eng	R/L 53738-04010	2	24.09
2.7L Eng			
Right			
Front	53738-04040	2	15.69

Rear	53738-04030	2	15.06
Left	53738-04020	2	27.47
6 Cyl			
Right			
Front	53738-04040	2	15.69
Rear	53738-04030	2	15.06
Left	53738-04020	2	27.47
9 Retainer, Fender Seal (9/Side)	R/L 90080-46327		.86
10 Liner, Fender	R 53875-04050	.3	67.51
	L 53876-04050	.3	67.51
11 Grommet, Liner (9/Side)	R/L 90189-06157		.63
12 Apron			
Right			
w/ABS			
w/Cruise Control	53701-04220	#6.5	247.04
w/o Cruise Control	53701-04250	#6.5	247.04
w/o ABS			
w/Cruise Control	53701-04230	#6.5	247.04
w/o Cruise Control	53701-04240	#6.5	247.04
Left	01 53702-04201	#6.5	246.70
	02 53702-04320	#6.5	215.18
<i>#w/Necessary Bolted Parts & Assemblies Removed, Includes R&R Fender/Apron Brace, w/Side Support Panel Removed, Deduct 1.5</i>			
13 Brace, Fender/Apron	R 53705-35020	.4	20.46
	L 53706-35010	.4	20.46

EXTERIOR TRIM

Refinish Wheel Opening Flare	R/L	.7
Refinish Wheel Opening Midg	R/L	.5
R&I Wheel Opening Flare	R/L	#4
R&I Wheel Opening Midg	R/L	#4
<i>#Includes R&I/R&R Mudguard</i>		
R&I Mudguard	R/L	.2

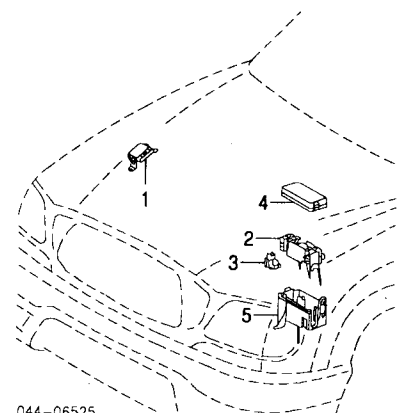


1 Mdg, Wheel Opening			
Black	R 75871-35900	#4	156.19
	L 75872-35900	#4	156.19
Paint to Match	R 75871-35900	#4	156.19
	L 75872-35900	#4	156.19
2 Seal, Moulding	R/L 75696-35010		11.20
3 Flare, Wheel Opening			
Black	R 75871-04010	#4	137.55
	L 75872-04010	#4	137.55
Paint to Match	R 75871-04010	#4	137.55
	L 75872-04010	#4	137.55
<i>#Includes R&I/R&R Mudguard</i>			
4 Seal, Flare	R/L 53851-35061		12.35
Cltp, Flare			
Blue (2/Side)	R/L 90904-67036		1.06
Red (4/Side)	R/L 90904-67037		1.06
7 Grommet, Flare	R/L 90179-06314		.66
8 Mudguard			
2WD			
2.4L Eng	R 76621-04050	.2	67.59
	L 76622-04050	.2	67.59
2.7L, 3.4L Eng	R 76621-04040	.2	67.59
	L 76622-04040	.2	67.59
4WD	R 76621-04040	.2	67.59
	L 76622-04040	.2	67.59
9 Antenna Assy	R 86300-04050	.8	37.96
10 Bezel, Antenna	R 86392-04020		8.29
11 Nut, Antenna	R 86396-16020		9.29
<i>#Included w/Antenna Assy</i>			
12 Mast, Antenna	R 86309-AA040	.2	30.42

ELECTRICAL

Illustration Located in Next Column

1 Igniter-See Electrical Section			
2 Block, Fuse/Relay	L 82741-35080	m	101.92
3 Sub-Block, Relay	L 82602-60060	m	15.55



4 Cover, Upper Block			
w/DRL	L 82661-3D100	.1	21.32
w/o DRL	L 82661-3D090	.1	21.32
5 Cover, Lower Block	L 82663-35070		54.24

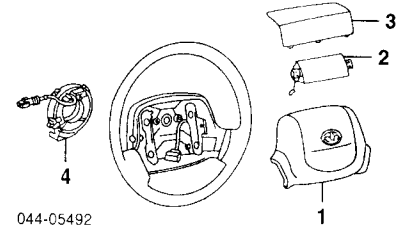
AIR BAG SYSTEM

Disable & Enable Air Bag System	m	.3
Diagnose Air Bag System (If Required)	m	#5
<i>#Includes Disconnect & Connect Scan Tool & Retrieve/Clear Trouble Codes</i>		

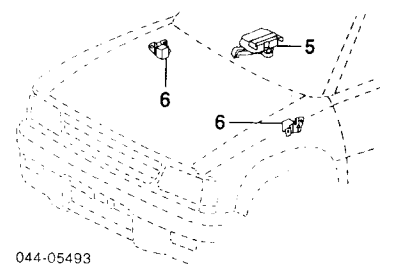
NOTE 1: R&R Does Not include disable and enable or diagnose Air Bag System.

NOTE 2: Refer to Procedural Explanation 30 for Supplemental Restraint/Air Bag System Component Inspection and Replacement Information.

NOTE 3: For Air Bag System Service procedures, refer to Manufacturer's Service Repair Manual or Mitchell's Air Bag Service and Repair Manual.



1 Module, Driver Air Bag			
Charcoal	45130-04060-B0	m #2	572.28
Oak	45130-04060-E0	m #2	572.28
<i>#Included in R&R Steering Wheel</i>			
2 Module, Pass Air Bag	73960-04020	m #4.8	610.31
<i>#Includes R&I Instrument Panel</i>			
3 Cover, Air Bag Module			
Charcoal	50540-04040-B1	m	166.25
Oak	50540-04040-E0	m	167.28
4 Cable, Spiral	84306-0C010	m #7	218.32
<i>#Included w/Combination Switch Assy-listed in Steering Wheel/Column Section</i>			



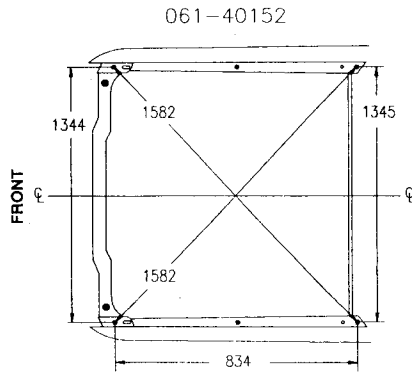
5 Control Unit, Air Bag	01 89170-04030	m	.5	508.16
	02 89170-04040	m	.5	508.16
6 Sensor, Air Bag	R 89173-39275	m	.5	54.79
	L 89174-39145	m	.5	54.79

UNDERHOOD DIMENSIONS

Illustration Located in Next Column

TOYOTA TACOMA 2001-02

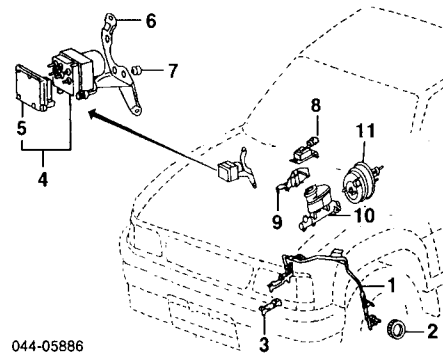
UNDERHOOD DIMENSIONS Cont'd



ABS/BRAKES

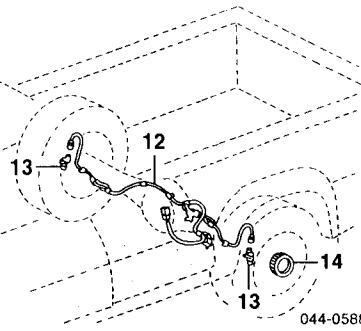
Bleed System.....m 3

NOTE: R&R Does Not include bleed brake system.



1 Sensor, Front ABS					
2WD					
4 Cyl					
2.4L Eng	R 89542-35100	m	.7	176.34	
	L 89543-35110	m	.7	176.34	
2.7L Eng	R 89542-04010	m	.7	176.34	
	L 89543-04010	m	.7	176.06	
6 Cyl					
PreRunner Model	R 89542-04010	m	.7	176.34	
	L 89543-04010	m	.7	176.06	
S-Runner Model	R 89542-35100	m	.7	176.34	
	L 89543-35100	m	.7	176.34	
4WD	R 89542-04010	m	.7	176.34	
	L 89543-04010	m	.7	176.06	
2 Rotor, Front ABS Sensor					
2WD	R/L 43515-35010	m	19.55		
w/PreRunner Model	R/L 43515-35010	m	19.55		
4WD	R/L 43515-35010	m	19.55		
	<i>W/o Pre-Runner Model-Serviced Hub Assy</i>				
3 Clamp, Front Sensor					
	R 88266-35520		7.82		
	L 88266-35530		7.82		
4 Actuator Assy, ABS					
2WD					
4 Cyl					
2.4L Eng	44050-04020	m	1.9	959.18	
2.7L Eng	44050-04010	m	1.9	959.18	
6 Cyl					
PreRunner Model	44050-04010	m	1.9	959.18	
S-Runner Model	44050-04020	m	1.9	959.18	
4WD	44050-04010	m	1.9	959.18	
5 Control Unit, ABS					
2WD					
4 Cyl					
2.4L Eng	89541-04020	m	.6	417.02	
2.7L Eng	89541-04010	m	.6	417.02	
6 Cyl					
PreRunner Model	89541-04010	m	.6	417.02	
S-Runner Model	89541-04020	m	.6	417.02	
4WD	89541-04010	m	.6	417.02	
	<i>Included w/ABS Actuator Assy</i>				
6 Brkt, Actuator					
	44591-04010		14.98		
7 Bushing, Mounting (3)					
	44546-04010		1.69		
8 Sensor, Deceleration					
4WD	89440-04020	m	.5	769.73	
	89439-35040			14.60	
9 Brkt, Sensor					
	47201-04060	m	.7	242.65	
10 Cylinder, Brake Master					
11 Booster, Brake					
2WD					
4 Cyl					
2.4L Eng	44610-04100	m	#1.6	581.51	
2.7L Eng	44610-04110	m	#1.6	581.51	
6 Cyl					
PreRunner Model	44610-04110	m	#1.6	581.51	
S-Runner Model	44610-04100	m	#1.6	581.51	

4WD 44610-04110 m #1.6 581.51
#Includes R&R Brake Master Cylinder

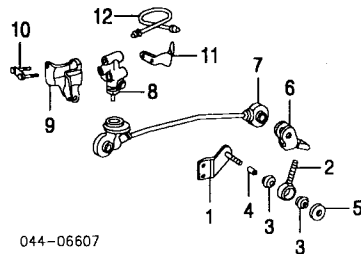


12 Wire, Rear ABS Sensor					
2WD					
4 Cyl					
2.4L Eng	01 89516-35040	m	.5	88.68	
	02 89516-35070	m	.5	90.77	
2.7L Eng	01 89516-35010	m	.5	67.19	
	02 89516-35080	m	.5	90.77	
6 Cyl					
PreRunner Model	01 89516-35010	m	.5	67.19	
	02 89516-35080	m	.5	90.77	
S-Runner Model	01 89516-35040	m	.5	88.68	
	02 89516-35070	m	.5	90.77	
4WD	01 89516-35010	m	.5	67.19	
	02 89516-35080	m	.5	90.77	
	R 89546-35020	m	.5	176.34	
	L 89546-35020	m	.5	176.34	
13 Sensor, Rear ABS					
	R/L 43517-35010	m	#2.0	42.58	
14 Rotor, Rear ABS Sensor					
	<i>Included in R&R Rear Axle Shaft Assy & Backing Plate, R&R Both Sides 3.8</i>				

LOAD-SENSING PROPORTIONING VALVE

Bleed System.....m 3

NOTE: R&R Does Not include bleed brake system.

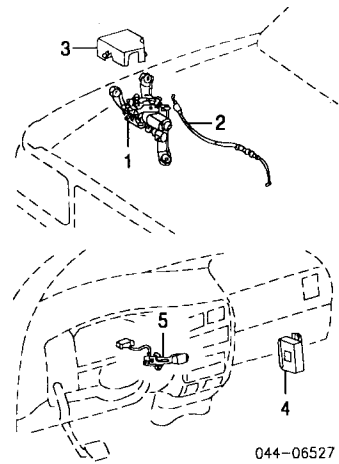


1 Brkt, Lower Shackle					
2WD					
w/PreRunner Model	47933-35091	m	#4	5.54	
w/o PreRunner Model	47933-35101	m	#4	6.17	
4WD	47933-35091	m	#4	5.54	
2 Shackle, Lwr Sensing Spring					
2WD					
w/PreRunner Model	47936-35050	m	#4	7.12	
w/o PreRunner Model	47936-26920	m	#4	6.37	
4WD	47936-35050	m	#4	7.12	
3 Bushing, Lwr Shackle (2)					
	47924-35010	m	#4	2.06	
4 Collar, Lower Shackle					
	90387-98099	m	#4	4.40	
5 Retainer, Shackle					
	90201-98062	m	#4	2.01	
6 Shackle, Up Spring					
	47935-35030	m	#4	5.06	
7 Spring, Load Sensing					
2WD					
w/PreRunner Model	47920-35110	m	.4	73.82	
w/o PreRunner Model	47920-35120	m	.4	73.82	
4WD	47920-35110	m	.4	73.82	
8 Valve, Proportioning					
2WD					
w/PreRunner Model	47910-35320	m	.5	144.18	
w/o PreRunner Model	47910-35330	m	.5	144.18	
4WD	47910-35320	m	.5	144.18	
9 Brkt, Valve					
	47931-35100	m	#1	14.43	
10 Plate, Mounting					
	47937-60010	m	#1	8.17	
	<i>R&R Complete, w/Proportioning Valve Removed</i>				
11 Brkt, Brake Tube					
2WD					
w/PreRunner Model	47352-35290	m		5.46	
2WD					
w/o PreRunner Model	47324-04040	m		4.09	

CRUISE CONTROL SYSTEM

Illustration Located in Next Column

1 Actuator, Cruise Control					
-----------------------------------	--	--	--	--	--



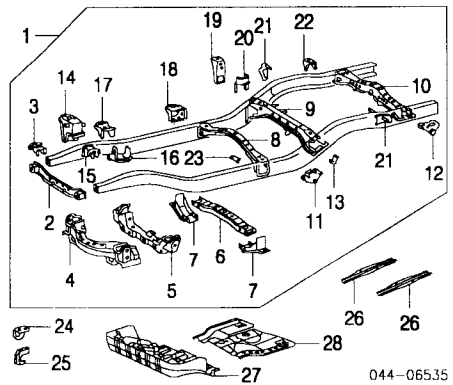
4 Cyl	88200-35290	m	.6	1238.53	
6 Cyl	88200-04030	m	.6	1242.33	
2 Cable, Actuator					
4 Cyl	78150-35030	m	#4	68.48	
6 Cyl					
2WD	83731-35230	m	#4	75.48	
4WD					
Man Trans	83731-60040	m	#4	42.44	
Auto Trans	83731-35230	m	#4	75.48	
3 Cover, Actuator					
4 Cyl	88212-33010	#2		28.69	
6 Cyl	88212-35110	#2		13.18	
	<i>Included in R&R Cruise Control Actuator</i>				
4 Module, Cruise Control					
4 Cyl					
2.4L Eng					
Man Trans	88240-04040	m	.5	382.20	
Auto Trans	88240-04010	m	.5	397.60	
2.7L Eng	88240-04020	m	.5	397.60	
6 Cyl					
2WD					
PreRunner Model	88240-04030	m	.5	397.60	
S-Runner Model	88240-04050	m	.5	382.20	
4WD					
Man Trans	88240-04050	m	.5	382.20	
Auto Trans	88240-04030	m	.5	397.60	
5 Switch, Cruise Control					
	<i>See Steering Wheel/Column Section</i>				
	<i>Included w/Steering Wheel Assy</i>				

FRAME

Use Procedure Explanation 9 with the following text.

2WD W/PRERUNNER

Add to R&R Frame					
w/ A/C				.7	
w/ Auto Trans				4	



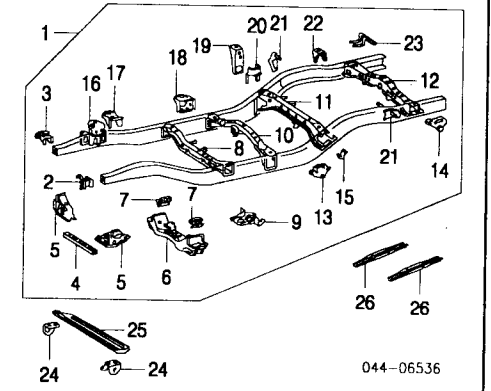
1 Frame Assy					
Regular Cab	51001-04290		29.0	3139.47	
Xtra Cab					
4 Cyl	51001-04310		30.0	3111.98	
6 Cyl	51001-04320		30.0	3139.47	
Double Cab					
4 Cyl	51001-04330		30.0	3186.20	
6 Cyl	51001-04340		30.0	3139.47	
	51021-35060	#2.0		68.48	
2 Crossmember, Front					
	<i>W/ Front Bumper Removed</i>				
3 Brkt, Front Cab Mtg					
	R 51701-35130			63.73	
	L 51702-35130			39.75	
4 Crossmember, No. 1					
	51201-04010			692.33	
5 Crossmember, No. 2					
	51202-04010			631.60	
6 Crossmember, No. 3					
	51203-04011			96.97	

TOYOTA TACOMA 2001-02

7 Brkt, No. 3 Crossmember	R 51025-04010 L 51026-04010	116.78 120.21	
8 Crossmember, No. 4	4 Cyl Regular Cab Xtra Cab, Double Cab 6 Cyl	51204-04030 51204-04040 51204-04040 51205-04020	225.51 256.66 256.66 254.78
9 Crossmember, No. 5		51205-04020	254.78
10 Crossmember, Rear		51209-04010	287.87
#3			
<i>#Necessary Bolted Parts & Assemblies Removed</i>			
11 Brkt, Front Leaf Spring	R 48404-35040 L 48407-35030	37.55 37.55	
12 Brkt, Rear Leaf Spring	R 48405-35040 L 48406-35020	45.44 45.44	
13 Brkt, Fuel Tank Mtg	L 57683-35010	7.23	
14 Support, Susp Arm	R 51501-35080 L 51502-35080	304.74 304.74	
15 Brkt, Eng Mounting	4 Cyl 6 Cyl	R/L 51401-35320 R/L 51401-35310	43.21 43.21
16 Support, Stabilizer	R 51591-35060 L 51592-35020	22.66 22.66	
17 Brkt, Ctr Cab Mtg	R/L 51703-35170	54.59	
18 Brkt, Rear Cab Mtg	Regular Cab, Xtra Cab Double Cab	R/L 51705-35110 R 51705-35170 L 51706-35050	43.21 36.61 31.58
19 Brkt, Front Bed Mtg	Regular Cab, Xtra Cab Double Cab	R 51742-35070 L 51743-35080 L 51742-35140 L 51743-35130	31.41 32.50 24.55 33.75
20 Reinf, Bed Mtg Brkt	Regular Cab, Xtra Cab Double Cab	R 51767-35060 L 51768-35080 R/L 51767-35070	15.98 15.98 10.26
21 Brkt, Shock Mtg	R 48505-35050 L 48506-35040	45.76 29.44	
22 Brkt, Rear Bed Mtg	R 51744-35020 L 51745-35010	13.15 13.15	
23 Brkt, Brake Cable	L 46454-35140	5.46	
24 Hook, Transport	R 51963-35070 L 51964-35050 R 51961-35051	2 8.83 2 8.83 2 54.59	
25 Hook, Tow			
26 Stopper, Spare Wheel w/Alloy Wheels	R/L 51933-35160	51.10	
27 Cover, Front Lwr Eng	51405-35071	4 218.61	
28 Cover, Rear Lwr Eng	51406-04010	3 101.92	

2WD W/O PRERUNNER

Add to R&R Frame w/ A/C	7
w/Auto Trans	4

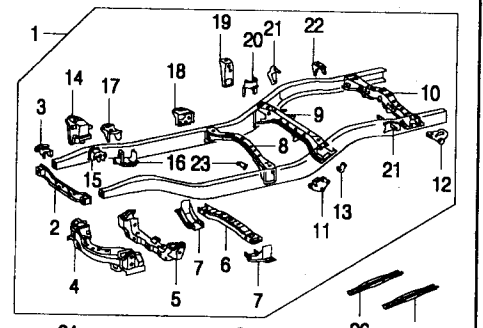


1 Frame Assy	Regular Cab Man Trans Auto Trans Xtra Cab	51001-04230 51001-04240	24.0 2714.49 24.0 2779.25
2 Extension, Frame	4 Cyl Man Trans Auto Trans 6 Cyl	51001-04250 51001-04260 51001-04270	25.0 3111.98 25.0 3111.98 25.0 3186.20
3 Brkt, Front Cab Mtg	R/L 51110-35030	16.40	
4 Crossmember, No. 1	R 51701-35150 L 51702-35130	39.75 39.75	
5 Brkt, No. 1 Crossmember	51201-35270	29.33	
6 Crossmember, No. 2	R 51707-35090 L 51708-35090	100.00 100.00	
7 Brkt, Front Eng Mtg	4 Cyl 6 Cyl	R/L 51401-35330 R/L 51401-35340	35.67 35.67
8 Crossmember, No. 3	51202-35330	470.20	
9 Brkt, Rear Eng Mtg	4 Cyl	51202-35330	470.20
10 Crossmember, No. 4	Regular Cab Xtra Cab 6 Cyl	51431-35160 51431-35170 51431-35180	30.64 32.50 33.47
11 Crossmember, No. 5	51204-04010 51204-04020	256.66 256.66	
12 Crossmember, Rear	51205-04020 51209-04010	254.78 287.87	

<i>#Necessary Bolted Parts & Assemblies Removed</i>			
13 Brkt, Front Leaf Spring	R 48404-35040 L 48407-35030	37.55 37.55	
14 Brkt, Rear Leaf Spring	R 48405-35040 L 48406-35020	45.44 45.44	
15 Brkt, Fuel Tank Mtg	L 57683-35010	7.23	
16 Support, Susp Arm	R 51501-35080 L 51502-35150	331.24 331.24	
17 Brkt, Ctr Cab Mtg	R/L 51703-35170	54.59	
18 Brkt, Rear Cab Mtg	R/L 51705-35110	43.21	
19 Brkt, Front Bed Mtg	R 51742-35070 L 51743-35080	31.41 32.50	
20 Reinf, Bed Mtg Brkt	R 51767-35060 L 51768-35080	15.98 15.98	
21 Brkt, Shock Mtg	R 48505-35050 L 48506-35040	27.29 22.93	
22 Brkt, Rear Bed Mtg	R 51744-35020 L 51745-35010	13.15 13.15	
23 Brkt, Exhaust Mtg	R 51398-35020	17.32	
24 Hook, Transport	R 51093-35010 L 51094-35010	17.95 17.95	
25 Cover, Front Eng 6 Cyl	51441-35230	3 18.61	
26 Stopper, Spare Wheel w/Alloy Wheels	R/L 51933-35200	58.36	

4WD

Add to R&R Frame w/ A/C	7
w/Auto Trans	4



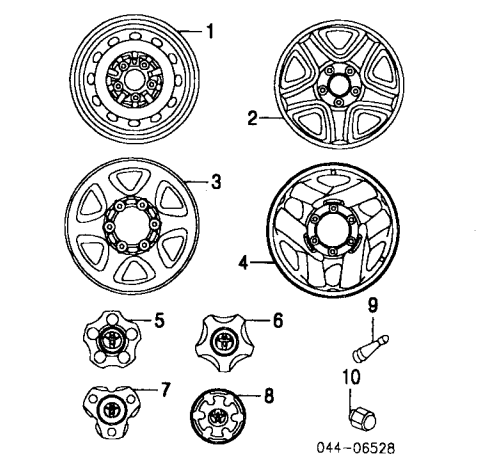
1 Frame Assy	Regular Cab Man Trans Auto Trans Xtra Cab	51001-04280 51001-04290	29.0 3139.47 29.0 3139.47
2 Crossmember, Front	4 Cyl Man Trans Auto Trans 6 Cyl Double Cab	51001-04300 51001-04310 51001-04320 51001-04340	30.0 3186.20 30.0 3111.98 30.0 3139.47 30.0 3139.47
3 Brkt, Front Cab Mtg	51021-35060	#2.0 68.48	
4 Crossmember, No. 1	R 51701-35150 L 51702-35130	39.75 39.75	
5 Crossmember, No. 2	51201-04010	682.33	
6 Crossmember, No. 3	51202-04010	631.60	
7 Brkt, No. 3 Crossmember	51203-04011	96.97	
8 Crossmember, No. 4	R 51025-04010 L 51026-04010	116.78 120.21	
9 Crossmember, No. 5	51204-04030 51204-04040 51204-04040 51205-04020	225.51 256.66 256.66 254.78	
10 Crossmember, Rear	51209-04010	#3 287.87	
<i>#Necessary Bolted Parts & Assemblies Removed</i>			
11 Brkt, Front Leaf Spring	R 48404-35040 L 48407-35030	37.55 37.55	
12 Brkt, Rear Leaf Spring	R 48405-35040 L 48406-35020	45.44 45.44	
13 Brkt, Fuel Tank Mtg	L 57683-35010	7.23	
14 Support, Susp Arm	R 51501-35080 L 51502-35080	304.74 304.74	
15 Brkt, Eng Mounting	4 Cyl 6 Cyl	R/L 51401-35320 R/L 51401-35310	43.21 43.21
16 Support, Stabilizer	R 51591-35060 L 51592-35020	22.66 22.66	
17 Brkt, Ctr Cab Mtg	R/L 51703-35170	54.59	
18 Brkt, Rear Cab Mtg	Regular Cab, Xtra Cab Double Cab	R/L 51705-35110 R 51705-35170 L 51706-35050	43.21 36.61 31.58
19 Brkt, Front Bed Mtg	Regular Cab, Xtra Cab Double Cab	R 51742-35070 L 51743-35080 L 51742-35140 L 51743-35130	31.41 32.50 24.55 33.75
20 Reinf, Bed Mtg Brkt	Regular Cab, Xtra Cab Double Cab	R 51767-35060 L 51768-35080 R/L 51767-35070	15.98 15.98 10.26
21 Brkt, Shock Mtg	R 48505-35050	29.44	

22 Brkt, Rear Bed Mtg	L 48506-35040 R 51744-35020	45.76 13.15	
23 Brkt, Brake Cable	L 51745-35010 L 46454-35140	13.15 5.46	
24 Hook, Transport	R 51963-35070 L 51964-35050	8.83 8.83	
25 Hook, Tow	R 51961-35051	54.59	
26 Stopper, Spare Wheel	R/L 51933-35160	51.10	
27 Cover, Front Lwr Eng	51405-35071	4 218.61	
28 Cover, Rear Lwr Eng	51406-04010	3 101.92	

WHEEL

Use Procedure Explanation 10 with the following text.

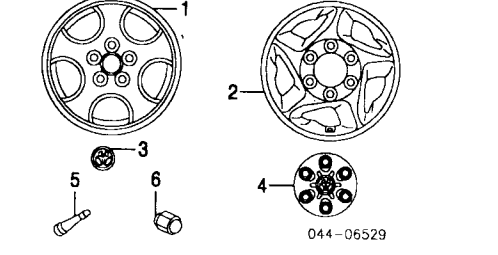
Refinish Wheel	5
Add to R&I Spare Wheel & Tire Assy	2



Wheel, Steel 15x6			
1 Type 1	42601-04170	3	118.05
2 Type 2	42601-04180	3	121.26
3 15x7	42601-0W020	3	130.25
4 16x7			
Chrome	42601-04200	3	138.08
Painted	42601-04190	3	143.40
Cap, Center			
5 Type 1	42603-04060		46.38
6 Type 2	42603-35680		35.35
7 Type 3			
Chrome	42603-04090		76.68
Painted	42603-04070		60.25
8 Type 4	42603-35740		37.55
9 Stem, Valve	90942-05009		7.72
10 Nut, Lug	90942-01104		2.88

ALLOY WHEEL

Add to R&I Spare Wheel & Tire Assy	2
------------------------------------	---



Wheel, Alloy 16x6-1/2"	42611-04070	3	376.51
2 16x7"			
Standard	42611-35170	3	390.05
Offset	42611-0C020	3	386.70
Cap, Center			
3 Type 1	42603-AC030		20.29
4 Type 2	42603-0C030		50.47
5 Stem, Valve	90942-05009		7.72
6 Nut, Lug	90942-01058		5.89

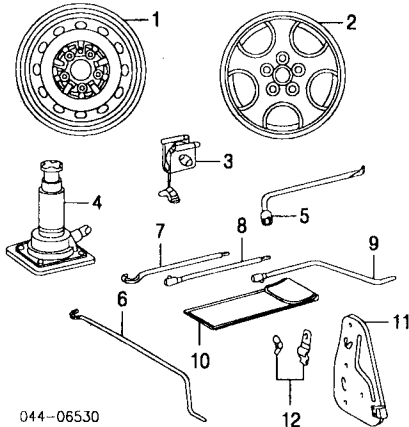
SPARE WHEEL & HARDWARE

1 Wheel, Steel Spare 15x6	42601-04170	118.05
------------------------------	-------------	--------

Illustration Located in Next Column

WHEEL Cont'd

SPARE WHEEL & HARDWARE Cont'd



15x7"	42601-04130	133.79
16x7"	42601-0C010	140.16
2 Wheel, Alloy Spare 2WD (16x6-1/2")	42611-04070	376.51
3 Hanger, Spare Wheel 2WD		
w/PreRunner Model	51900-04040	164.08
w/o PreRunner Model	51900-04030	123.98
4WD	51900-04040	164.08
4 Jack 2WD		
w/PreRunner Model	09111-04020	133.95
w/o PreRunner Model	09111-04030	101.37
4WD	09111-04020	133.95
5 Wrench, Lug Handle, Jack	09150-AD020	21.92
6 Regular Cab	09113-04020	23.86
7 Xtra Cab, Double Cab	09115-60030	14.12
8 Extension, Jack Handle Xtra Cab, Double Cab	09114-04030	13.40
9 Lever, Jack Handle Xtra Cab, Double Cab	09116-04020	33.95
10 Bag, Tool Xtra Cab, Double Cab	09120-04030	20.03
11 Bracket, Jack Handle Regular Cab	58706-35010	18.66
12 Holder, Jack Handle Regular Cab	58707-34010	7.74

FRONT SUSPENSION

Use Procedure Explanation 11 with the following text.

2WD W/PRERUNNER

R&I Suspension (One Side)	R/Lm #3.4
O/H Suspension (Includes R&I)	
One Side	R/Lm #4.9
Both Sides	m #9.0

#w/Steering Gear Removed Deduct .8

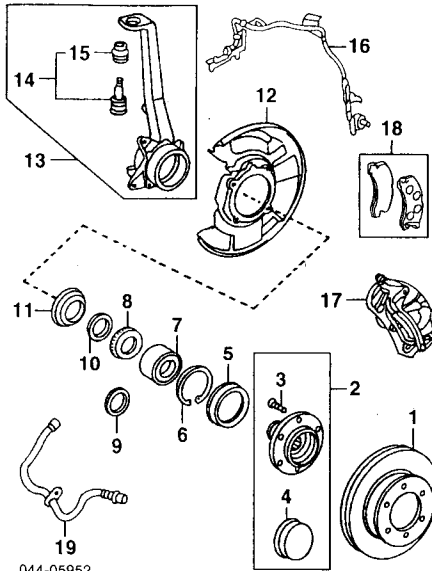
Adjust Front Alignment	m 1.5
Bleed Brake System	m .3

NOTE 1: R&I/R&R or O/H Does Not include alignment or bleed brake system.

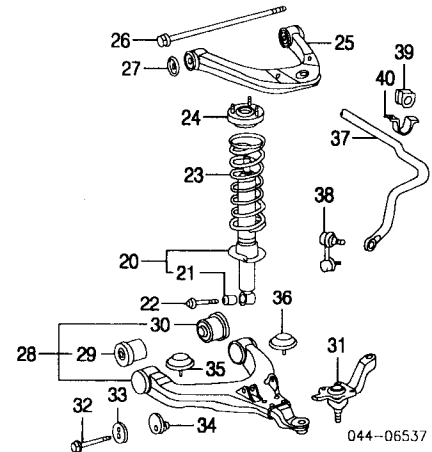
NOTE 2: All Parts in this section are included in overhaul unless noted otherwise.

Illustration Located in Next Column

1 Rotor, Brake #R&R Both Sides 1.0	R/L 43512-04020	m #6	99.33
2 Hub Assy #Includes R&R Rotor, Knuckle, Bearing & Seal, R&R Both Sides 6.6	R/L 43502-04050	m #3.4	143.47
3 Stud, Lug(1/6 Side)	R/L 90942-02049	m	2.94
4 Cap, Grease #Included w/Hub Assy	R/L 90339-33003	m	7.27
5 Seal, Oil	R/L 90312-95001	m #3.4	13.98
6 Ring, Snap	R/L 90521-99114	m #3.4	5.17
7 Bearing, Axle	R/L 90369-54001	m #3.4	58.25
8 Rotor, Front ABS Sensor-See ABS/Brakes Section			
9 Spacer, Hub w/o ABS	R/L 90560-52001	m #3.4	11.09
10 Nut, Adjusting	R/L 43521-35010	m #3.4	13.18
11 Cap, Grease Retainer	R/L 43442-35050	m #3.4	13.89
12 Shield, Splash	R 47703-04030	m #3.4	54.29
L 47704-35091		m #3.4	26.89
13 Knuckle Assy			



14 Joint Assy, Upper Ball #R&R One Side Complete, Includes R&R Rotor, Hub, Seals, Bearings, Sensor Rotor & Splash Shield, R&R Both Sides 6.6	R/L 43310-39016	m #1.8	35.19
15 Boot, Upper Ball Joint(a) #Included w/Knuckle Assy	R/L 43324-39015	m #1.8	6.74
16 Sensor, Front ABS-See ABS/Brakes Section	R 47730-04040	m #5	380.28
17 Caliper, Brake #R&R Both Sides .8, w/Rotor Removed Deduct .3	R 47750-04040	m #5	380.28
18 Pad Set, Brake #Deduct .5 for Each Caliper Removed	04465-04050	m #1.0	36.95
19 Hose, Brake #w/Caliper Removed Deduct .2	R/L 90947-02B41-2	m #3	47.33



20 Absorber Assy, Shock Regular Cab	R/L 48510-09270	m #1.0	152.11
Xtra Cab			
w/Off Road Pkg	R/L 48510-A9080	m #1.0	95.92
w/o Off Road Pkg	R/L 48510-09280	m #1.0	44.26
Double Cab			
w/Off Road Pkg	R/L 48510-A9160	m #1.0	112.24
w/o Off Road Pkg	R/L 48510-80012	m #1.0	112.24
21 Bushing, Shock Mtg #Included w/Shock Absorber Assy	R/L 90903-89012	m #1.0	13.27
w/Off Road Pkg	R/L 90389-14048	m #1.0	13.20
22 Bolt, Shock Mtg Spring, Coil	R/L 90080-10124		3.54
23 Regular Cab	R 48131-04350	m #1.0	80.29
L 48131-04360		m #1.0	80.29
Xtra Cab			
w/Off Road Pkg			
4 Cyl	R 48131-AD070	m #1.0	79.23
L 48131-AD080		m #1.0	79.23
6 Cyl	R 48131-AD080	m #1.0	79.23
L 48131-AD090		m #1.0	79.23
w/o Off Road Pkg			
4 Cyl	R 48131-04360	m #1.0	80.29

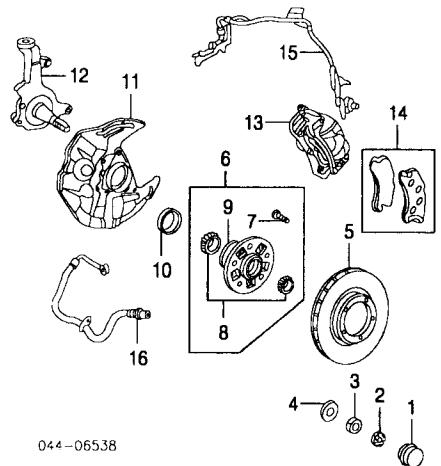
6 Cyl	L 48131-04380	m #1.0	80.29
	R 48131-04390	m #1.0	80.29
	L 48131-04400	m #1.0	80.29
Double Cab w/Off Road Pkg			
4 Cyl	R 48131-AD121	m #1.0	77.53
6 Cyl	L 48131-AD131	m #1.0	77.53
R 48131-AD160		m #1.0	83.75
L 48131-AD170		m #1.0	83.75
w/o Off Road Pkg			
4 Cyl	R 48131-04430	m #1.0	65.28
L 48131-04440		m #1.0	65.28
R 48131-04450		m #1.0	65.28
L 48131-04460		m #1.0	65.28
6 Cyl	R 48131-04460	m #1.0	65.28
L 48131-04460		m #1.0	65.28
24 Mount, Upper Shock #R&R One Side Complete, R&R Both Sides 1.8	R/L 48609-35010	m #1.0	59.95
25 Arm, Upper Control	R 48610-35050	m #1.6	199.71
	L 48630-35030	m #1.6	199.71
26 Bolt, Up Control Arm #R&R One Side Complete, R&R Both Sides 3.0	R/L 90105-14105	m #1.6	8.35
27 Washer, Up Control Arm (2/Side)	R/L 90209-14010		3.53
28 Arm Assy, Lower Control Regular Cab, Xtra Cab			
Japan Built	R 48068-35120	m #2.8	330.57
L 48069-35120		m #2.8	330.57
Non-Japan Built	R 48068-04011	m #2.8	223.09
L 48069-04011		m #2.8	223.09
R 48068-35120		m #2.8	330.57
L 48069-35120		m #2.8	330.57
#w/Steering Gear Removed Deduct .8, R&R Both Sides 4.8			
29 Bushing, Front Arm #Included w/Lower Control Arm Assy	R/L 48061-35040	m #2	43.21
30 Bushing, Rear Arm #Included w/Lower Control Arm Assy	R/L 48061-35050	m #2	43.56
31 Joint, Lower Ball #R&R Both Sides 2.0, Included in R&R Lower Control Arm	R 43330-39556	m #1.1	98.00
L 43340-39436		m #1.1	98.00
32 Bolt, Lwr Control Arm (2/Side)	R/L 90080-11283	m	4.20
33 Cam, Toe Adjust (2/Side)	R/L 48409-35050	m	11.86
34 Plate, Toe Adjust (2/Side)	R/L 48452-35020	m	15.75
35 Bumper, Front Spring	R/L 48304-35150	m	21.95
36 Bumper, Rear Spring	R/L 48305-35040	m	15.63
37 Bar, Stabilizer #Includes R&R Bushings, Links & Brackets, Not Included in O/H	48811-04110	m #9	136.64
38 Link, Stabilizer	R 48820-35040	m #4	45.76
L 48810-35020		m #4	45.76
#R&R Both Sides .6, Not Included in O/H			
39 Bushing, Stabilizer Bar	R/L 48815-35090	m #4	11.72
40 Brkt, Stabilizer Bar	R 48824-35100	m #4	9.12
L 48829-35070		m #4	9.12
#R&R One Side Complete, R&R Both Sides .6, Not Included in O/H			

2WD W/O PRERUNNER

R&I Suspension One Side	R/Lm 2.4
O/H Suspension (Includes R&I)	
One Side	R/Lm 3.8
Both Sides	m 7.4
Adjust Front Alignment	m 1.5
Bleed Brake System	m .3

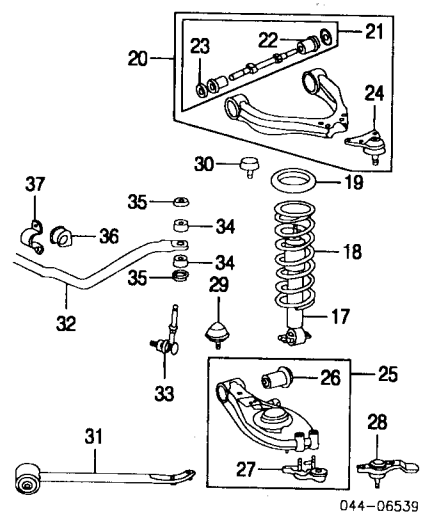
NOTE 1: R&I/R&R or O/H Does Not include alignment or bleed brake system.

NOTE 2: All Parts in this section are included in overhaul unless noted otherwise.



1 Cap, Grease	R/L 43514-35010-86		4.57
2 Cap, Adjusting	R/L 43525-22010		1.74
3 Nut, Axle	R/L 90170-19185	m	2.09
4 Washer, Lock	R/L 90214-20007	m	.83
5 Rotor, Brake #R&R Both Sides 2.0	R/L 43512-04010	m #1.1	71.48
6 Hub Assy			

w/ABS	R/L 43502-09020	m #1.5	140.59
w/o ABS	R/L 43502-09010	m #1.5	134.50
#Includes R&R Rotor, R&R Both Sides 2.8			
7 Stud, Lug (5/Side)	R/L 90942-02047	m	3.83
8 Bearing Kit	R/L 04421-35020	m #1.7	62.50
#Includes R&R Rotor			
9 Rotor, Front ABS Sensor-Serviced w/Hub Assy			
#Included w/Hub Assy			
10 Seal, Oil	R/L 90311-50005	m #1.4	6.78
#Included in R&R Hub, R&R Both Sides 2.6			
11 Shield, Splash			
w/ABS	R 47703-04020	m #2	47.94
L	47704-04020	m #2	47.94
w/o ABS	R 47703-04010	m #2	47.94
L	47704-04010	m #2	47.94
#w/Hub Removed, included in R&R Steering Knuckle			
12 Knuckle			
w/ABS	R 43211-35190	m #2.0	146.70
L	43212-35150	m #2.0	146.70
w/o ABS	R 43211-35180	m #2.0	146.70
L	43212-35140	m #2.0	146.70
#Includes R&R Rotor, Hub, Bearings, Seals & Splash Shield, R&R Both Sides 3.8			
13 Caliper, Brake	R 47730-04030	m #5	334.10
L	47750-04030	m #5	334.10
#R&R Both Sides .8, w/Rotor Removed Deduct .3			
14 Pad Set, Brake	04465-04040	m #1.0	36.95
#Deduct .5 for Each Caliper Removed			
15 Sensor, Front ABS-See ABS/Brakes Section			
16 Hose, Brake	R/L 90947-02B39-40	m #3	54.93
#w/Caliper Removed Deduct .2			



044-06539

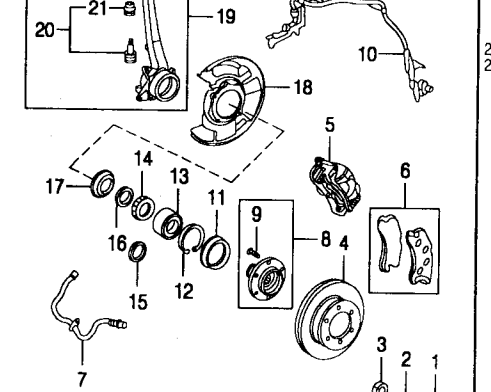
#Included in R&R Lower Control Arm, R&R Both Sides 1.4			
32 Bar, Stabilizer			
w/S-Runner Model	48811-AD040	m #9	160.96
w/o S-Runner Model	48811-04090	m #9	153.50
#Includes R&R Bushings, Retainers & Brackets, Not Included in OH			
33 Link, Stabilizer	R/L 48820-35021	m #4	45.76
#R&R Both Sides .6, Not Included in OH			
34 Bushing, Link (2/Side)			
w/S-Runner Model	R/L 90948-01080	m	2.49
w/o S-Runner Model	R/L 90948-01061	m	3.77
35 Retainer, Bushing (2/Side)	R/L 90948-02069	m	2.06
36 Bushing, Stabilizer Bar			
w/S-Runner Model	R/L 48815-AD020	m #4	6.54
w/o S-Runner Model	R/L 48815-04050	m #4	6.54
37 Brkt, Stabilizer Bar	R/L 48823-35080	m #4	9.09
#R&R One Side Complete, R&R Both Sides .6, Not Included in OH			

4WD

R&I Suspension (One Side)	R/Lm #3.4
OH Suspension (Includes R&I) One Side	R/Lm #4.9
Both Sides	R/Lm #9.0
#w/Steering Gear Removed Deduct .8	
Adjust Front Alignment	m 1.5
Bleed Brake System	m .3

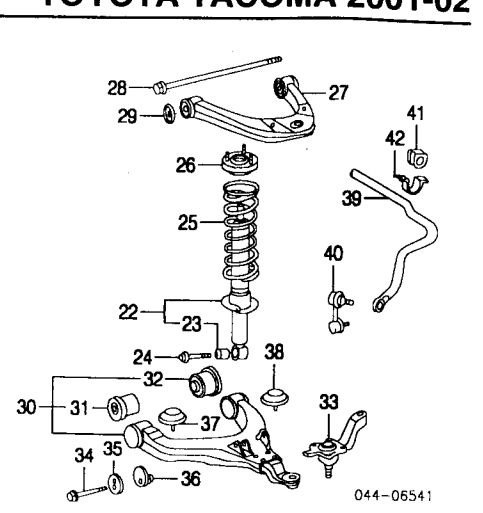
NOTE 1: R&I/R&R or OH Does Not include alignment or bleed brake system.

NOTE 2: All Parts in this section are included in overhaul unless noted otherwise.



044-06540

1 Cap, Grease	R/L 43514-28010		13.29
2 Cap, Adj Lock	R/L 43525-35010		2.54
3 Nut, Lock	R/L 90179-28007	m	2.54
4 Rotor, Brake	R/L 43512-04020	m #6	99.33
#R&R Both Sides 1.0			
5 Caliper, Brake	R 47730-04040	m #5	380.28
L	47750-04040	m #5	380.28
#R&R Both Sides .8, w/Rotor Removed Deduct .3			
6 Pad Set, Brake	04465-04050	m #1.0	36.95
#Deduct .5 for Each Caliper Removed			
7 Hose, Brake	R/L 90947-02B41-2	m #3	47.33
#w/Caliper Removed Deduct .2			
8 Hub Assy	R/L 43502-04040	m #3.4	142.58
#Includes R&R Rotor, R&R Both Sides 6.6			
9 Stud, Lug (6/Side)	R/L 90942-02049	m	2.94
#Included w/Hub Assy			
10 Sensor, Front ABS-See ABS/Brakes Section			
11 Seal, Outer	R/L 90312-95001	m #3.4	13.98
12 Ring, Snap	R/L 90521-99114	m #3.4	5.17
13 Bearing, Axle	R/L 90369-54001	m #3.4	58.25
14 Rotor, Front ABS Sensor-See ABS/Brakes Section			
15 Spacer, Hub			
w/ABS	R/L 90560-52001	m #3.4	11.09
w/o ABS	R/L 43524-35010	m #3.4	15.92
16 Spacer, Inner Bearing	R/L 90316-69001	m #3.4	33.10
17 Seal, Inner	R/L 47703-04030	m #3.4	54.29
18 Shield, Splash	R/L 47704-35091	m #3.4	26.89
19 Knuckle Assy			
w/ABS	R 43201-35081	m #3.4	406.95
L	43202-35071	m #3.4	406.95
w/o ABS	R 43201-35071	m #3.4	406.95
L	43202-35061	m #3.4	406.95
#R&R One Side Complete, Includes R&R Rotor, Hub Seals, Bearings & Splash Shield, R&R Both Sides 6.6			
20 Joint Assy, Upr Ball	R/L 43310-39016	m #1.8	35.19
21 Cover, Dust (a)	R/L 43324-39015	m #1.8	6.74
#Included w/Knuckle Assy			
(a) Included w/Upper Ball Joint Assy			
#Included in R&R Knuckle, R&R Both Sides 3.4			



044-06541

22 Absorber Assy, Shock			
Regular Cab	R/L 48510-09270	m #1.0	152.11
Xtra Cab			
w/Off Road Pkg	R/L 48510-A9050	m #1.0	95.92
w/o Off Road Pkg	R/L 48510-09270	m #1.0	152.11
Double Cab			
w/Off Road Pkg	R/L 48510-A9160	m #1.0	112.24
w/o Off Road Pkg	R/L 48510-80012	m #1.0	112.24
23 Bushing, Shock			
w/Off Road Pkg	R/L 90903-89012	m #1.0	13.27
w/o Off Road Pkg	R/L 90389-14048	m #1.0	13.20
#Included w/Shock Absorber Assy			
24 Bolt, Shock Mounting	R/L 90080-11283		4.20
25 Spring, Coil			
Regular Cab			
Man Trans	R 48131-04020	m #1.0	83.48
L	48131-04040	m #1.0	83.48
Auto Trans	R 48131-04030	m #1.0	83.48
L	48131-04050	m #1.0	83.48
Xtra Cab			
w/Off Road Pkg			
Man Trans			
4 Cyl	R 48131-AD010	m #1.0	85.05
L	48131-AD020	m #1.0	85.05
6 Cyl	R 48131-AD010	m #1.0	85.05
L	48131-AD040	m #1.0	85.05
Auto Trans	R 48131-AD030	m #1.0	85.05
L	48131-AD050	m #1.0	85.05
w/o Off Road Pkg			
Man Trans			
4 Cyl	R 48131-04050	m #1.0	83.48
L	48131-04070	m #1.0	83.48
6 Cyl	R 48131-04050	m #1.0	83.48
L	48131-04320	m #1.0	86.86
Auto Trans			
4 Cyl	R 48131-04050	m #1.0	83.48
L	48131-04080	m #1.0	86.07
6 Cyl	R 48131-04070	m #1.0	83.48
L	48131-04080	m #1.0	86.07
Double Cab			
w/Off Road Pkg			
Man Trans	R 48131-AD140	m #1.0	83.75
L	48131-AD150	m #1.0	83.75
w/o Off Road Pkg	R 48131-04410	m #1.0	77.53
L	48131-04420	m #1.0	77.53
26 Mount, Upper Shock	R/L 48609-35010	m #1.0	59.95
#R&R One Side Complete, R&R Both Sides 1.8			
27 Arm, Upper Control	R/L 48610-35050	m #1.6	199.71
28 Bolt, Upr Cont Arm	R/L 48630-35030	m #1.6	199.71
#R&R One Side Complete, R&R Both Sides 3.0			
29 Washer, Upr Cont Arm (2/Side)	R/L 90209-14010		3.53
30 Arm Assy, Lower Control			
Japan Built	R 48068-35120	m #2.8	330.57
L	48069-35120	m #2.8	330.57
Non-Japan Built	R 48068-04011	m #2.8	223.09
L	48069-04011	m #2.8	223.09
#w/Steering Gear Removed Deduct .8, R&R Both Sides 4.8			
31 Bushing, Front Arm	R/L 48061-35040	m #2	43.21
32 Bushing, Rear Arm	R/L 48061-35050	m #2	43.56
#Included w/Lower Control Arm Assy			
#w/Lower Control Arm Assy Removed			
33 Joint, Lower Ball	R 43330-39556	m #1.1	98.00
L	43340-39436	m #1.1	98.00
#R&R Both Sides 2.0			
34 Bolt, Lower Cont Arm (2/Side)	R/L 90080-11283	m	4.20
35 Cam, Toe Adjust (2/Side)	R/L 48409-35050	m	11.86
36 Plate, Toe Adjust (2/Side)	R/L 48452-35020	m	15.75
37 Bumper, Front Spring	R/L 48304-35150	m	21.95
38 Bumper, Rear Spring	R/L 48305-35040	m	15.63
39 Bar, Stabilizer	48811-04110	m #9	136.64
#Includes R&R Bushings, Links & Brackets, Not Included in OH			
40 Link, Stabilizer	R 48820-35040	m #4	45.76
L	48810-35020	m #4	45.76
#R&R Both Sides .6, Not Included in OH			
41 Bushing, Stabilizer	R/L 48815-35090	m #4	11.72
42 Bracket, Stabilizer	R 48824-35100	m #4	9.12
L	48829-35070	m #4	9.12

TOYOTA TACOMA 2001-02

FRONT SUSPENSION Cont'd

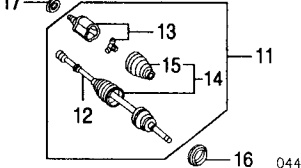
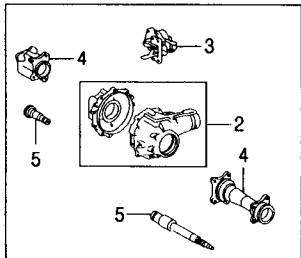
4WD Cont'd

#R&R One Side Complete, R&R Both Sides .6, Not Included in O/H

FRONT DRIVE AXLE

R&I Axle Shaft Assy.....R/Lm #2.0
O/H Axle Shaft Assy (Includes R&I).....R/Lm #2.6
#w/Knuckle Removed Deduct 1.7

NOTE: All Parts in this section are included in overhaul unless noted otherwise.



1 Differential Assy

4 Cyl				
Man Trans				
3.909 Axle Ratio	41110-34101	m #3.2	1242.08	
4.300 Axle Ratio	41110-34241	m #3.2	1242.08	
Auto Trans				
4.100 Axle Ratio	41110-34261	m #3.2	1242.08	
4.555 Axle Ratio	41110-3D321	m #3.2	923.38	
6 Cyl				
3.909 Axle Ratio	41110-34101	m #3.2	1242.08	
4.100 Axle Ratio	41110-34261	m #3.2	1242.08	
2 Carrier, Differential[]	41101-35131	m #	291.14	
3 Actuator, Vacuum[]	41400-34012	m #	271.62	
4 Housing, Otr[]	R 41435-35010	m	59.62	
	L 41320-35040	m	123.06	
5 Shaft, Inner[]	R 41306-35030	m	100.34	
	L 41337-35020	m	102.86	
[]Included w/Differential Assy				
#Not Included in O/H				
6 Mount, Front Differential	R 52380-04010	m #1.8	87.08	
	L 52380-04020	m #1.8	88.68	
#R&R Both 2.0, Not Included in O/H				
7 Stopper, Upper	R/L 41653-35010	m #	14.12	
8 Stopper, Lower	R/L 41654-28010	m #	12.20	
9 Mount, Rear Differential	52380-35010	m #	53.96	
10 Nut, Rear Mount	41655-35010	m #	6.37	
#Not Included in O/H				
11 Axle Assy, Front Drive	R/L 43430-04020	m #2.0	350.22	
#w/Knuckle Removed Deduct 1.7				
12 Joint/Shaft, Outer[]	R/L 43460-09101	m #2.6	459.10	
13 Joint, Inner[]	R/L 43040-04010	m #2.6	299.09	
14 Boot Kit, Axle[]	R/L 04438-04021	m #2.6	31.96	
15 Boot Kit, Inner[] (a)	R/L 04438-04011	m #2.6	19.93	
[]Included w/Front Drive Axle Assy				
(a) Included w/Axle Boot Kit				
16 Seal, Outer Axle	R/L 90080-30028	m #2.6	12.35	
17 Seal, Inner Axle	R/L 41336-04010	m #2.6	5.37	
#R&R One Side Complete				

FRONT STEERING LINKAGE/GEAR

R&I Steering Gear Assy.....m 1.7
O/H Steering Gear Assy (Includes R&I).....m 4.3

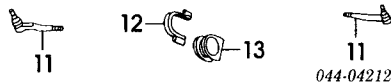
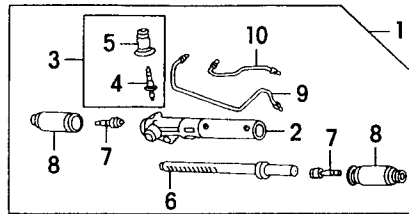
NOTE 1: R&I/R&R or O/H Does Not include adjust wheel alignment.

NOTE 2: All Parts in this section are included in overhaul unless noted otherwise.

Illustration Located in Next Column

1 Gear Assy, Steering

2WD				
w/PreRunner Model	44250-35042	m 1.9	860.25	
w/o PreRunner Model	44250-04011	m 1.9	813.09	
4WD	44250-35042	m 1.9	860.25	



2 Housing, Shaft[]

2WD				
w/PreRunner Model	44203-35040	m 4.3	533.15	
w/o PreRunner Model	44240-04010	m 4.3	378.57	
4WD	44203-35040	m 4.3	533.15	

3 Valve Assy, Control[]

2WD				
w/PreRunner Model	44210-35021	m 3.4	817.06	
w/o PreRunner Model	44210-04020	m 3.4	817.06	
4WD	44210-35021	m 3.4	817.06	

4 Valve, Control[] (a) (b)

2WD				
w/PreRunner Model	44201-35021	m #3.4	533.15	
4WD	44201-35021	m #3.4	533.15	

5 Housing, Valve[] (a) (b)

2WD				
w/PreRunner Model	44022-35031	m #3.4	172.56	
4WD	44022-35031	m #3.4	172.56	

(a) Included w/Control Valve Assy
(b) w/o PreRunner-Serviced w/Control Valve Assy

6 Rack, Steering[]

2WD				
w/PreRunner Model	44204-35050	m 4.3	244.50	
w/o PreRunner Model	44204-04010	m 4.3	244.50	
4WD	44204-35050	m 4.3	244.50	

7 Rod, Inner Tie[]

2WD				
w/PreRunner Model	R/L 45503-39075	m #2.3	132.84	
w/o PreRunner Model	R/L 45503-39066	m #2.3	112.32	
4WD	R/L 45503-39075	m #2.3	132.84	

#Includes R&I Steering Gear & R&I Boot & Tie Rod End

8 Boot, Rack[]

2WD				
w/PreRunner Model	R/L 45535-35030	m .3	16.23	
w/o PreRunner Model	R 45535-04010	m .3	16.23	
	L 45535-07010	m .3	10.83	
4WD	R/L 45535-35030	m .3	16.23	

9 Tube, Right Pressure[]

2WD				
w/PreRunner Model	44418-35050	m	41.67	
w/o PreRunner Model	44418-04010	m	27.72	
4WD	44418-35050	m	41.67	

10 Tube, Left Pressure[]

2WD				
w/PreRunner Model	44419-35050	m	23.12	
w/o PreRunner Model	44419-04010	m	18.49	
4WD	44419-35050	m	23.12	

[]Included w/Steering Gear Assy

11 End, Tie Rod

2WD				
w/PreRunner Model	R 45046-39295	m #.3	37.69	
	L 45047-39175	m #.3	37.69	
w/o PreRunner Model	R/L 45046-39285	m #.3	50.22	
4WD	R 45046-39295	m #.3	37.69	
	L 45047-39175	m #.3	37.69	

#Includes R&R Boot

12 Bracket, Rack Mounting

2WD				
w/PreRunner Model	45515-35010	m	35.35	
w/o PreRunner Model	45515-04010	m	20.78	
4WD	45515-35010	m	35.35	

13 Bushing, Rack Mounting

2WD				
w/PreRunner Model	45517-35010	m	21.66	
w/o PreRunner Model	45517-04010	m	16.40	
4WD	45517-35010	m	21.66	

STEERING PUMP

4 CYL

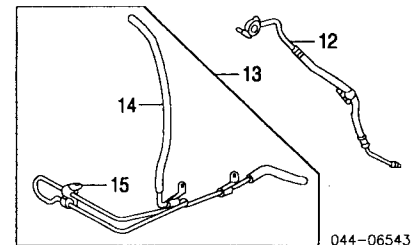
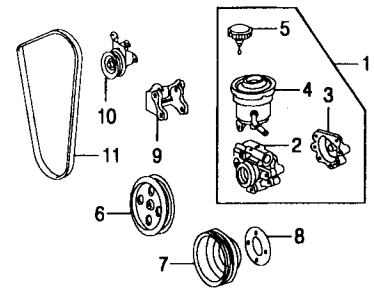
Illustration Located in Next Column

1 Pump Assy

2WD				
w/PreRunner Model	44320-04043	m 1.3	372.96	
w/o PreRunner Model	44320-04020	m 1.3	372.96	
4WD	44320-04043	m 1.3	372.96	
2 Housing, Front Pump[]	44302-04010	m 2.8	184.22	
3 Housing, Rear Pump[]	44324-04010	m	44.18	

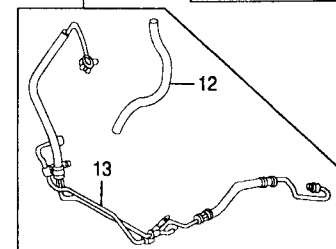
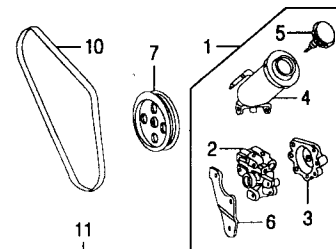
4 Reservoir, Pump[]

2WD				
w/PreRunner Model	44306-04020	m 1.5	156.19	
w/o PreRunner Model	44306-04010	m 1.5	156.19	



4WD				
5 Cap, Reservoir[]	44306-04020	m 1.5	156.19	
	44305-22040	m	13.49	
[]Included w/Pump Assy				
6 Pulley, Pump	44311-04011	m .5	107.57	
7 Pulley, Drive Pump	44319-04010	m	39.75	
8 Spacer, Pulley w/o A/C	44318-26020	m	5.57	
9 Bracket, Pump Mtg #w/Pump Removed	44443-34010	m #.2	50.81	
10 Pulley, Idler	44350-34010	m .7	144.50	
11 Belt, Drive				
2WD				
w/PreRunner Model	90080-91125-83	.5	9.03	
w/o PreRunner Model	90080-91124-83	.5	7.90	
4WD	90080-91125-83	.5	9.03	
12 Hose, Pressure				
2WD				
w/PreRunner Model	44411-04110	m 1.0	221.78	
w/o PreRunner Model	44411-04090	m 1.0	221.78	
4WD				
Man Trans	44411-04100	m 1.0	221.78	
Auto Trans	44411-04110	m 1.0	221.78	
13 Hose/Tube Assy, Return[]				
2WD				
w/PreRunner Model	44420-04040	m .6	125.10	
w/o PreRunner Model	44420-04020	m .6	124.32	
4WD				
Auto Trans	44420-04040	m .6	125.10	
[]4WD Man Trans-Serviced by Components				
14 Hose, Return (a) (b) (c)				
4WD				
Man Trans	44412-04010	m .6	24.86	
15 Hose/Tube, Return (a) (b) (c)				
4WD				
Man Trans	44420-04030	m .6	139.36	
(a) Included w/Return Hose/Tube Assy				
(b) 2WD-Serviced w/Return Hose/Tube Assy				
(c) 4WD Auto Trans-Serviced w/Return Hose/Tube Assy				

6 CYL



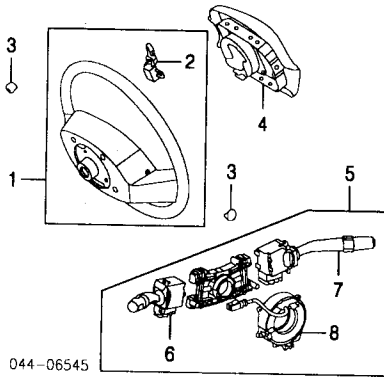
1 Pump Assy

2WD	PreRunner Model	44320-04052	m	1.5	372.96
	S-Runner Model	44320-04030	m	1.5	372.96
4WD		44320-04052	m	1.5	372.96
2	Housing, Front Pump	44302-04020	m	3.0	184.22
3	Housing, Rear Pump	44324-04020	m		44.18
4	Reservoir, Pump	44306-35240	m	1.7	156.19
5	Cap, Reservoir	44305-50010	m		22.38
6	Bracket, Front Pump	44441-04010	#2		34.38
†Included w/Pump Assy #w/Pump Removed					
7	Pulley, Pump	44311-04021	m	7	107.57
8	Bracket, Pump Mtg	44443-34030	m		65.96
9	Bracket, Adjusting	44446-35010	m		14.46
10	Belt, Steering Pump	90080-91126-83		5	7.88
11	Hose/Tube Assy, Steering† (a)				
	2WD				
	S-Runner Model	44410-04170	m	1.2	328.09
†2WD PreRunner Model-Serviced by Components †(a) 4WD-Serviced by Components					
12	Hose, Return† (b)				
	2WD				
	PreRunner Model	44412-04020	m	.8	17.58
	4WD	44412-04020	m	.8	17.58
13	Hose/Tube, Steering† (b)				
	2WD				
	PreRunner Model	44410-04030	m	1.2	330.14
	4WD	44410-04030	m	1.2	330.14
†Included w/Steering Hose/Tube Assy †(b) 2WD S-Runner Model-Serviced w/Steering Hose/Tube Assy					

STEERING WHEEL/COLUMN

NOTE: All Parts in this section are included in overhaul unless noted otherwise.

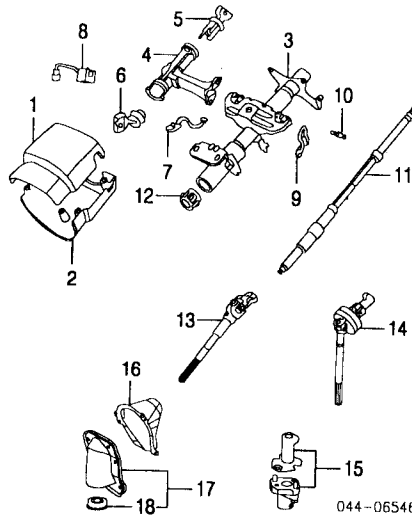
WHEEL & TRIM



1	Wheel Assy, Steering				
	w/Cruise Control				
	Leather				
	Charcoal	45100-0C100-B0	m	5	923.55
	Oak	45100-0C100-E0	m	5	923.55
	Urethane				
	Man Trans				
	Charcoal	45100-0C090-B0	m	5	475.94
	Oak	45100-0C090-E0	m	5	475.94
	Auto Trans				
	Charcoal	45100-04150-B0	m	5	475.94
	Oak	45100-04150-E0	m	5	475.94
	w/o Cruise Control				
	Leather				
	Charcoal	45100-04160-B0	m	5	795.94
	Oak	45100-04160-E0	m	5	795.94
	Urethane				
	Man Trans				
	Charcoal	45100-04120-B0	m	5	346.33
	Oak	45100-04120-E0	m	5	346.33
	Auto Trans				
	Charcoal	45100-04130-B0	m	5	346.33
	Oak	45100-04130-E0	m	5	346.33
2	Switch, Cruise Control†	84630-0C010	m	5	82.05
†Included w/Steering Wheel Assy					
3	Cover, Steering Wheel				
	Charcoal	R/L 45186-06070-B1			3.72
	Oak	R/L 45186-06070-E0			3.74
4	Module, Driver Air Bag-See Air Bag System Section				
5	Switch Assy, Combination				
	Fixed Column	84310-04210	m	1.0	226.98
	Tilt Column	84310-04220	m	1.0	245.43
6	Switch, Headlamp	84140-02020	m	1.0	109.06
7	Switch, Wiper†				
	Fixed Column	84652-02070	m	1.0	81.28
	Tilt Column	84652-02180	m	1.0	130.09
8	Cable, Spiral†-See Air Bag System Section				
†Included w/Combination Switch Assy					

COLUMN FIXED

R&I Steering Column.....	m	2.3
O/H Steering Column (Includes R&I).....	m	3.0



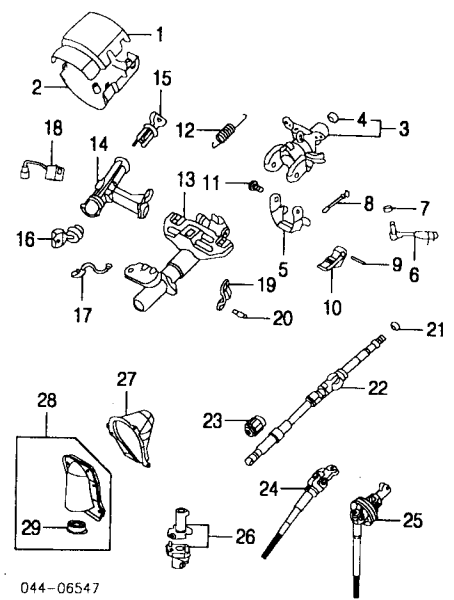
1	Cover, Upper Column				
	Charcoal	45286-04030-B1	m	#5	33.47
	Oak	45286-04031-E0	m	#5	33.47
2	Cover, Lower Column				
	Charcoal	45287-04030-B1	m	#5	43.56
	Oak	45287-04031-E0	m	#5	43.56
†R&R Complete					
3	Tube, Column	45870-04030	m	3.0	81.08
4	Housing, Strg Lock				
	Man Trans	45280-35290	m	1.8	183.31
	Auto Trans	45280-35300	m	1.8	183.31
	Lock Set, Complete				
	Regular Cab, Xtra Cab				
	w/Stepside Bed	69005-35472	m		146.31
	w/o Stepside Bed	69005-35840	m		302.40
	Double Cab	69005-35850	m		149.48
	Cylinder, Lock†	69057-35070	m	#8	80.70
†Included w/Complete Lock Set					
6	Switch, Ignition	84450-41010	m	#8	74.14
†R&R Complete, Included in R&R Steering Lock Housing					
7	Switch, Unlock Warning				
	Man Trans	84052-20030	m	1.0	29.32
	Auto Trans	84052-35020	m	1.0	22.44
8	Solenoid, Interlock				
	Auto Trans	85432-35020	m		56.13
9	Clamp, Housing	45271-12050	m		11.40
10	Bolt, Shear (2)	45897-12020	m		2.77
11	Shaft, Upper Steering	45210-35200	m	3.0	176.05
12	Bushing, Shaft	45273-16020	m		3.77
13	Shaft, Intermediate				
	2WD				
	w/o PreRunner Model	45260-35090	m		211.06
14	Yoke, Steering				
	2WD				
	w/PreRunner Model	45290-35040	m		258.07
	4WD	45290-35040	m		258.07
15	Joint, Lower Steering				
	2WD				
	w/PreRunner Model	45860-35171	m		70.99
	w/o PreRunner Model				
	2.4L Eng	45860-35230	m		149.21
	3.4L Eng	45860-35240	m		119.61
	4WD	45860-35171	m		70.99
16	Cover, Inr Column Hole				
	2WD				
	w/PreRunner Model	45026-35050	m		31.87
	4WD	45026-35050	m		31.87
17	Cover Assy, Otr Column Hole				
	2WD				
	w/PreRunner Model	45025-04021	m		75.08
	w/o PreRunner Model	45025-04030	m		70.99
	4WD	45025-04021	m		75.08
	45292-35090	m			11.32
18	Seal, Dust†				
†Included w/Outer Column Hole Cover Assy					

COLUMN TILT

R&I Steering Column.....	m	2.3
O/H Steering Column (Includes R&I).....	m	3.0

Illustration Located in Next Column

1	Cover, Upper Column				
	Charcoal	45286-04040-B1	m	#5	33.47
	Oak	45286-04041-E0	m	#5	57.73
2	Cover, Lower Column				
	Charcoal	45287-04041-B1	m	#5	43.56
	Oak	45287-04041-E0	m	#5	43.56
†R&R Complete					
3	Tube Assy, Upper Column	45205-35300	m		45.13
4	Bearing, Upr Shaft†	90363-18009	m		5.03
†Included w/Upper Column Tube Assy					
5	Bracket, Pivot	45819-35010	m		6.86



6	Lever, Tilt	45880-35030	m		31.87
7	Bushing, Lever (2)	90389-08120	m		5.89
8	Link, Lever	45885-35010	m		1.31
9	Shaft, Pivot	45856-42010	m		2.37
10	Pawl, Lever	45890-35010	m		13.60
11	Bolt, Pivot (2)	45855-35010	m		3.63
12	Spring, Tension				
	Type 1 (2)	90506-25006			5.20
	Type 2	90507-16024			3.42
	Type 3	90905-07012			1.37
13	Tube, Lower Column	45870-04050	m	3.0	96.48
14	Housing, Strg Lock				
	Man Trans	45280-35310	m	1.8	183.31
	Auto Trans	45280-35320	m	1.8	183.31
	Lock Set, Complete				
	Regular Cab, Xtra Cab				
	w/Stepside Bed	69005-35472	m		146.31
	w/o Stepside Bed	69005-35840	m		302.40
	Double Cab	69005-35850	m		149.48
	Cylinder, Lock†	69057-35070	m	#8	80.70
†Included w/Complete Lock Set					
15	Switch, Ignition	84450-41010	m	#8	74.14
†R&R Complete, Included in R&R Steering Lock Housing					
16	Switch, Unlock Warning				
	Man Trans	84052-20030	m	1.0	29.32
	Auto Trans	84052-35020	m	1.0	22.44
18	Solenoid, Interlock				
	Auto Trans	85432-35020	m		56.13
19	Clamp, Housing	45271-12050	m		11.40
20	Bolt, Shear (2)	45897-12020	m		2.77
21	Bearing, Lwr Shaft				
	2WD				
	w/PreRunner Model				
	Regular Cab, Xtra Cab	90363-18009	m		5.03
	Double Cab	90363-18011	m		5.03
	w/o PreRunner Model	90363-18011	m		5.03
	4WD	90363-18011	m		5.03
22	Shaft, Upper Steering	45210-35221	m	3.0	211.06
23	Bushing, Shaft	45273-16020	m		3.77
24	Shaft, Intermediate				
	2WD				
	w/o PreRunner Model	45260-35090	m		211.06
25	Yoke, Steering				
	2WD				
	w/PreRunner Model	45290-35040	m		258.07
	4WD	45290-35040	m		258.07
26	Joint, Lower Steering				
	2WD				
	w/PreRunner Model	45860-35171	m		70.99
	w/o PreRunner Model				
	2.4L Eng	45860-35230	m		149.21
	3.4L Eng	45860-35240	m		119.61
	4WD	45860-35171	m		70.99
27	Cover, Inr Column Hole				
	2WD				
	w/PreRunner Model	45026-35050	m		31.87
	4WD	45026-35050	m		31.87
28	Cover Assy, Otr Column Hole				
	2WD				
	w/PreRunner Model	45025-04021	m		75.08
	w/o PreRunner Model	45025-04030	m		70.99
	4WD	45025-04021	m		75.08
	45292-35090	m			11.32
†Included w/Outer Column Hole Cover Assy					

ENGINE/TRANS

Use Procedure Explanation 12 with the following text.

4 CYL

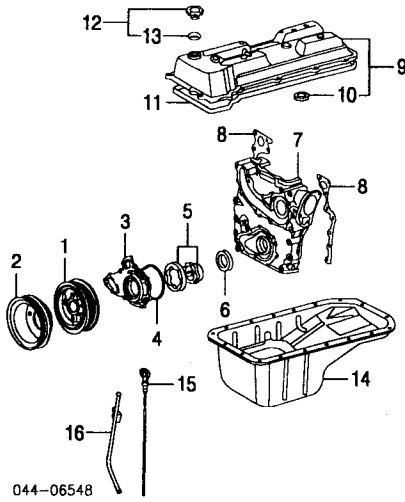
R&I Engine/Trans Assy					
2WD.....	m				10.4

TOYOTA TACOMA 2001-02

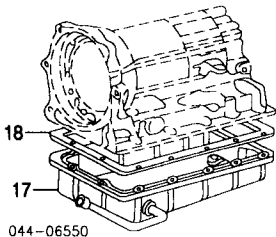
ENGINE/TRANS Cont'd

4 CYL Cont'd

4WDm 13.9
 Add to R&I Engine/Trans Assy
 w/ A/Cm 4
 w/Auto Transm 4



1 Pulley, Crankshaft #Includes R&R A/C Drive Pulley	13408-75030	m #1.6	196.24
2 Pulley, A/C Drive	88451-34010	m 1.4	18.21
3 Cover, Oil Pump			
2.4L Eng	15115-75051	m	28.81
2.7L Eng	15115-75020	m	28.75
4 O-Ring, Pump	15188-75021	m	5.20
5 Pump, Oil			
2.4L Eng	15103-75010	m	42.30
2.7L Eng	15103-75020	m	42.30
6 Seal, Crankshaft	90311-48014	m	7.15
7 Cover, Timing			
2.4L Eng	11301-75030	m #12.5	365.96
2.7L Eng			
2WD	11301-75021	m #12.5	347.04
4WD	11301-75021	m #14.5	347.04
#Includes R&R Engine Under Cover, Fan, Pulley, Water Pump & Cylinder Head, w/ A/C Add. 4			
8 Gskt, Timing Cover			
2.4L Eng	R 11329-75010	m	7.74
2.7L Eng	L 11328-75010	m	7.74
4WD	R/L 11329-75021	m	9.03
9 Cover Assy, Valve	11201-75040	m 1.1	238.81
10 Seal, Spark Plug(4) w/Calif Emission w/o Calif Emission	11193-76020 11193-15010	m	2.15 7.40
#Included w/Valve Cover Assy			
11 Gskt, Valve Cover	11213-75030	m	13.10
12 Cap Assy, Oil Filler	12180-0D010		9.12
13 Gskt, Oil Cap(1)	90430-37140		1.57
#Included w/Oil Filler Cap Assy			
14 Pan, Eng Oil			
2.4L Eng	12101-75041	m 3.6	113.26
2.7L Eng			
2WD	12101-75050	m 3.6	130.61
4WD	12101-75050	m 5.0	130.61
15 Dipstick, Eng Oil	15301-75060		11.52
16 Tube, Eng Dipstick	11409-75041		12.32



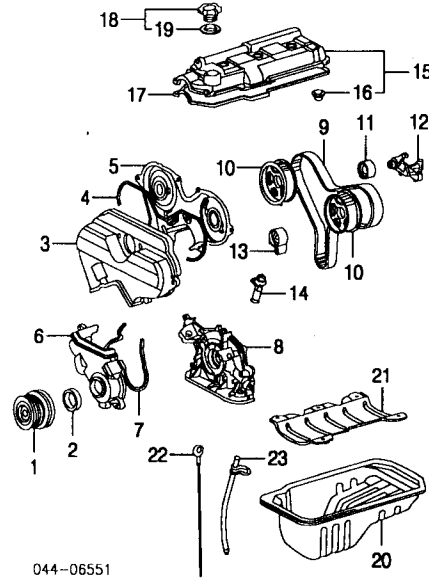
044-06550

17 Pan, Trans Oil			
2WD			
2.4L Eng	35106-30051	m 1.5	106.63
2.7L Eng	35106-34010	m 1.5	112.95
4WD	35106-35070	m 1.9	112.95
18 Gskt, Trans Oil Pan			
2.4L Eng	35168-22011	m	10.80

6 CYL

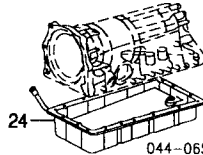
R&I Engine/Trans Assy
 2WDm 12.4
 4WDm 15.1

Add to R&I Engine/Trans Assy
 w/ A/Cm 4
 w/Auto Transm 4



044-06551

1 Pulley, Crankshaft	13408-62040	m 1.6	325.54
2 Seal, Crankshaft	90311-40022	m #1.8	5.89
#Includes R&R Crankshaft Pulley			
3 Cover, Uptr Front Timing	11322-62901	m #1.6	83.60
#w/ A/C Add. 4			
4 Gskt, Uptr Timing Cover(1)	11329-20010	m	4.46
(1/2 Cut to Fit)			
5 Cover, Uptr Rear Timing	11323-62050	m	45.13
6 Cover, Lower Timing	11321-62900	m #2.2	40.70
#Includes R&R Upper Timing Cover, w/ A/C Add. 4			
7 Gskt, Lwr Timing Cover	11328-20020	m	4.46
8 Pump, Oil	15100-62050	m	178.64
9 Belt, Timing	13568-69095	m #2.4	45.67
#Includes R&R Lower Timing Cover, w/ A/C Add. 4			
10 Sprocket, Camshaft			
Intake	13051-62030	m #2	96.86
Exh	13528-62020	m #2	61.22
#w/ Timing Belt Removed			
11 Pulley, Uptr Idler	13503-62040	m	80.77
12 Brkt, Uptr Idler Pulley	13584-62050	m	65.96
13 Pulley, Lwr Idler	13505-62070	m	108.20
14 Tensioner, Timing Belt	13540-62021	m	35.12
15 Cover Assy, Valve	R 11201-62040 L 11202-62050	m #2.8 m #2.8	175.08 175.42
#R&R Complete			
16 Gskt, Spark Plug Hole(1)			
(3/Side) R/L 11193-16010			
#Included w/Valve Cover Assy			
17 Gskt, Valve Cover	R/L 11213-62020	m	20.86
18 Cap Assy, Oil Filler	12180-0D010		9.12
19 Gskt, Filler Cap(1)	90430-37140		1.57
#Included w/Oil Filler Cap Assy			
20 Pan, Eng Oil			
2WD			
Pre-Runner Model	12101-62070	m 3.8	140.38
S-Runner Model	12101-62080	m 3.8	140.38
4WD	12101-62070	m 5.4	140.38
21 Baffle, Eng Oil Pan	12122-62040	m	23.75
22 Dipstick, Eng Oil	15301-62070		9.57
23 Tube, Eng Dipstick	11452-62050		13.66



044-06552

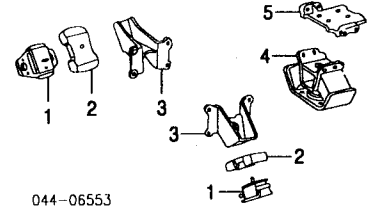
24 Pan, Trans Oil			
2WD	35106-34020	m 1.9	89.94
4WD	35106-35110	m 1.9	92.46

ENGINE/TRANS MOUNTS

4 CYL

Illustration Located in Next Column

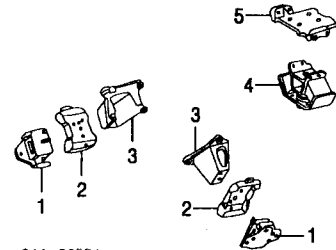
1 Mount, Engine	R/L 12361-35090	#7	51.41
-----------------	-----------------	----	-------



044-06553

2 Stabilizer, Mount	R 12381-75020 L 12382-75010	#7	16.58
#R&R One Side Complete, R&R Both Sides 1.2			
3 Brkt, Engine Mount	R 12311-75050 L 12315-75050	#2	47.64
#w/ Mount Removed			
4 Mount, Trans			
2.4L Eng	12371-0C010	.7	56.83
2.7L Eng	12371-75090	.7	56.47
4WD			
Man Trans	12371-0C020	.7	88.92
Auto Trans	12371-0C030	.7	88.92
5 Spacer, Trans Mount			
2WD			
2.7L Eng	12341-75020		45.76

6 CYL



044-06554

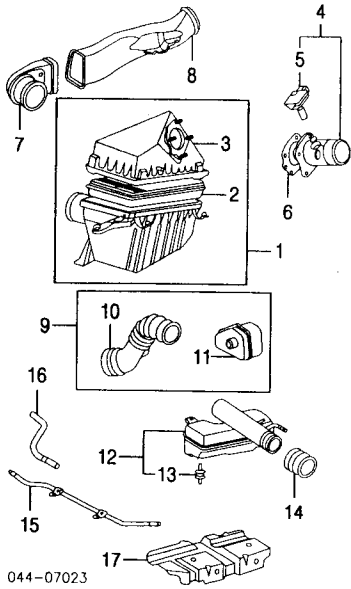
1 Mount, Engine	R 12361-62140 L 12362-62140	#1.0	61.56
#w/ A/C Add 1.0, w/4 WD Add. 3			
#w/4 WD Add. 3			
2 Stabilizer, Mount	R 12381-62020 L 12382-62010		22.52
3 Brkt, Engine Mount	R 12311-62070 L 12315-62070	#2	47.64
#w/ Mount Removed			
4 Mount, Trans			
2WD			
Pre-Runner Model	12371-62130	.7	95.17
S-Runner Model	12371-0C010	.7	56.83
4WD			
Man Trans	12371-07020	.7	94.33
Auto Trans	12371-62090	.7	88.37
5 Spacer, Trans Mount			
2WD			
Pre-Runner Model	12341-75020		45.76

AIR CLEANER

4 CYL

Illustration Located in Next Column

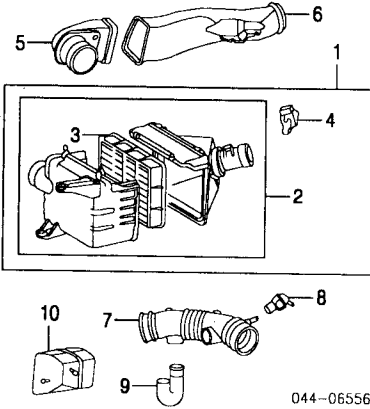
1 Cleaner Assy, Air	17700-0C020	#5	306.66
#Includes R&R Element & Cover			
2 Element, Cleaner(1)	17801-35020-83	.3	14.87
3 Cover, Cleaner(1)	17705-0C020	.3	54.24
#Included w/Air Cleaner Assy			
4 Meter Assy, Air Flow	22250-0C010	m 1.2	567.45
5 Meter, Air Flow(1)	22204-0C010	m 1.2	115.18
#Included w/Air Flow Meter Assy			
6 Gskt, Air Flow Meter	22275-0C010	m	7.54
7 Duct, Intake Air	52810-35010	#3	31.24
8 Duct, Fender Air	53807-35020	#3	53.62
#R&R Complete			
9 Hose Assy, Air	17880-0C010	.3	69.42
10 Hose, Air(1)	17881-0C010	#3	58.70
11 Resonator, Intake Air(1)	17893-0C010	#3	16.60
#Included w/Air Hose Assy			
#R&R Complete			
12 Connector Assy, Intake Air	17805-75171	#4	245.76
13 Retainer, Connector(1) (2)	17853-75020		6.37
#Included w/Intake Air Connector Assy			
14 Hose, Connector	17882-75040	#4	17.46
#R&R Complete			
15 Tube, Air	17361-75010	#3	20.81
16 Hose, Air Tube	17882-75050	#3	9.37
#R&R Complete			



044-07023

17 Brkt, Intake Connector 17871-75020 23.06

6 CYL



044-06556

1 Cleaner/Meter Assy, Air	22020-07070		4	289.85
2 Cleaner Assy, Air	17700-07060		#5	333.30
<i>#Includes R&R Element</i>				
3 Element, Cleaner	17801-07020		3	14.87
<i>(a) Included w/Air Cleaner Assy</i>				
4 Meter, Air Flow	22204-07010	m	1.2	151.10
<i>#Included w/Air Cleaner/Meter Assy</i>				
5 Duct, Intake Air	52810-35010		#3	31.24
6 Duct, Fender Air	53807-35020		#3	53.62
<i>#R&R Complete</i>				
7 Hose, Intake Air	17881-62170		#4	75.08
8 Connector, Air Intake	17659-62010		#4	11.52
9 Tube, Resonator	17893-62040		#4	15.18
10 Resonator, Intake Air	17894-62030		#4	40.70
<i>#R&R Complete</i>				

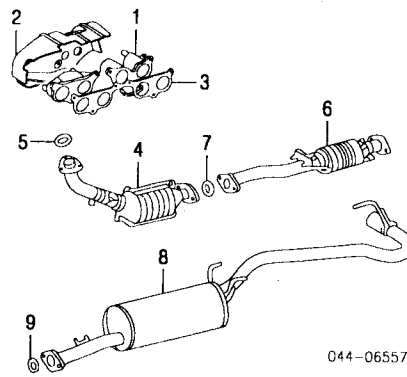
EXHAUST

4 CYL

R&R Exhaust System Complete #1.3
#Does Not Include R&R Exhaust Manifold or Shield

Illustration Located in Next Column

1 Manifold, Exhaust				
2.4L Eng	17141-75090	m	1.0	198.20
2.7L Eng	17141-75080	m	1.0	198.20
2 Shield, Manifold Heat				
2.7L Eng	17167-75100			66.59
3 Gasket, Manifold	17173-75020			35.84
4 Pipe/Converter, Frt Exhaust				
2.4L Eng	01 17410-0C030		.8	879.49
	02 17410-0C031		.8	915.76
2.7L Eng	01 17410-0C040		.8	901.23
	02 17410-0C041		.8	935.09
5 Gasket, Front Pipe				

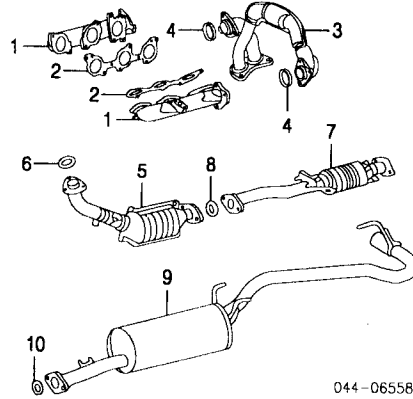


044-06557

2.4L Eng	90917-06067			8.40
2.7L Eng (2)	90917-06061			6.21
6 Pipe/Converter, Ctr Exhaust	01 17403-0C010		.8	1002.71
	02 17403-0C011		.8	983.38
7 Gskt, Center Pipe	90917-06057			7.46
8 Muffler				
2.4L Eng			.8	219.60
Regular Cab	17405-0C030			
Xtra Cab	17405-0C040		.8	219.60
2.7L Eng			.8	219.60
Regular Cab	17405-0C050			
Xtra Cab, Double Cab	17405-0C060		.8	219.60
9 Gasket, Muffler	90917-06057			7.46

6 CYL

R&R Exhaust System Complete #1.5
#Does Not Include R&R Exhaust Manifolds



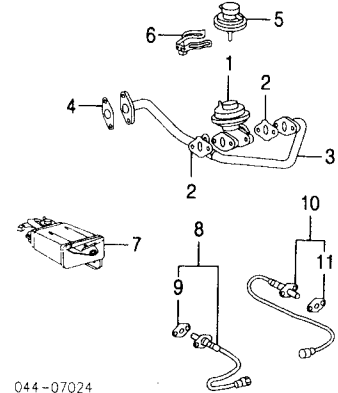
044-06558

1 Manifold, Exhaust	R 17141-62110	m	1.2	157.88
	L 17142-62110	m	1.2	157.88
2 Gasket, Manifold	RVL 17173-62060			28.32
3 Pipe, Crossover	17106-62030		.8	216.25
4 Gskt, Crossover Pipe	RVL 90917-06083			7.80
5 Pipe/Converter, Frt Exhaust	17410-07040		.7	862.57
6 Gasket, Front Pipe	90917-06086			7.74
7 Pipe/Converter, Ctr Exhaust	17403-07040		.8	1002.71
8 Gasket, Center Pipe	90917-06057			7.46
9 Muffler				
2WD				
Pre-Runner Model	17405-07030		.8	219.60
S-Runner Model	17405-07040		.8	360.87
4WD	17405-07030		.8	219.60
10 Gasket, Muffler	90917-06057			7.46

EMISSION SYSTEM

Illustration Located in Next Column

1 Valve, EGR				
4 Cyl				
2WD	25620-75050	m	.7	150.13
4WD				
Man Trans	25620-75040	m	.7	150.13
Auto Trans	25620-75050	m	.7	150.13
2 Gskt, EGR Valve (2)	25628-75010			4.40
3 Tube, EGR	25611-75021	m	.6	90.85
4 Gskt, EGR Tube	25634-75010			10.37
5 Modulator, EGR Valve				
4 Cyl				
2WD	25870-75030	m	.4	59.27
4WD				
Man Trans	25870-75040	m	.4	59.05
Auto Trans	25870-75030	m	.4	59.27
6 Bracket, Modulator	25691-75031			8.49
7 Canister, Vapor	01 77740-35470	m	.3	395.01

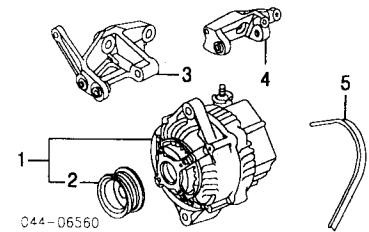


044-07024

8 Sensor Assy, Air/Fuel	02 77740-04010	m	.3	270.17
	89467-35060	m	.3	375.42
<i>#Order by Application</i>				
9 Gasket, Sensor	89466-20020-83	m		6.74
<i>#Included w/Air/Fuel Sensor Assy</i>				
10 Sensor Assy, Oxygen				
4 Cyl				
Regular Cab	89465-09280	m	.3	120.55
Xtra Cab, Double Cab	89465-09330	m	.3	120.55
6 Cyl	89465-09340	m	.3	120.55
11 Gskt, Oxygen Sensor	89466-20020-83	m		6.74
<i>#Included w/Oxygen Sensor Assy</i>				

ELECTRICAL

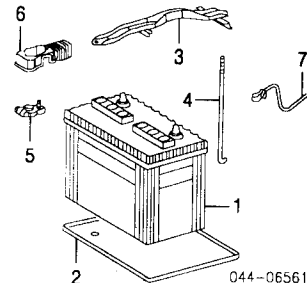
ALTERNATOR



044-06560

1 Alternator Assy				
4 Cyl	27060-75160	m	.7	492.81
6 Cyl	27060-62160	m	.7	492.81
2 Pulley, Alternator				
4 Cyl	27411-42030	m	.4	29.78
6 Cyl	27411-42010	m	.4	29.78
<i>#Included w/Alternator Assy</i>				
Bracket, Alternator Mtg				
3 4 Cyl	12511-75041		#2	47.05
4 6 Cyl	12511-62010		#2	64.16
<i>#w/Alternator Removed</i>				
5 Belt, Drive				
4 Cyl	90916-02336		.5	23.45
6 Cyl	90080-91090-83		.5	9.14

BATTERY



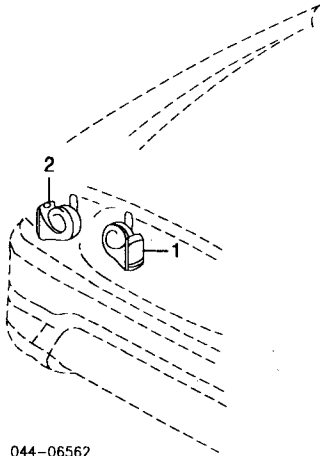
044-06561

1 Battery	N.A.			
2 Tray, Battery	74431-14030		.2	0.00
<i>#Order by Application</i>				
3 Clamp, Hold-Down	74404-35140			14.20
4 Bolt, Hold-Down	74451-AD010			5.83
5 Terminal, Positive	90982-05035		.2	14.40
6 Cover, Terminal	82821-35020			10.29
7 Cable, Battery				
4 Cyl	82122-04042		.5	144.65
6 Cyl	82122-04052		.5	246.21

TOYOTA TACOMA 2001-02

ELECTRICAL Cont'd

HORN



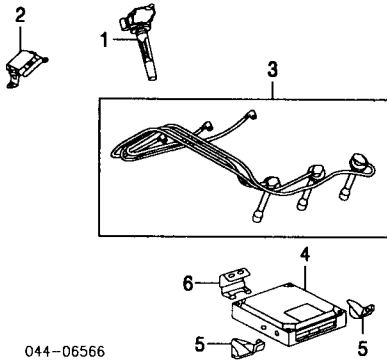
044-06562

1 Horn, High Note	86510-04010	.6	51.84
2 Horn, Low Note	86520-04010	.6	51.84

IGNITION

R&R Ignition Coils Complete

4 Cyl.....	m	.5
6 Cyl.....	m	1.5



044-06566

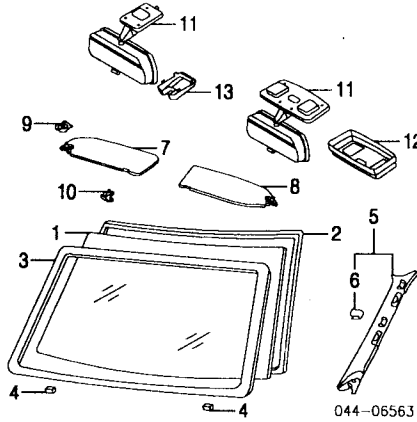
1 Coil, Ignition			
4 Cyl (4)	90919-02237	m #2	82.73
<i>#Time is for One, R&R All .5</i>			
6 Cyl (3)	90919-02212	m #1A	82.73
<i>#Time is for One, R&R All 1.5</i>			
2 Igniter			
6 Cyl	89620-04010	m .4	389.29
3 Wire Set, Ignition			
6 Cyl	19037-62010	m .4	55.03
4 Module, Engine Control			
2WD			
4 Cyl			
2.4L Eng			
Man Trans	89661-04750	m .7	996.14
Auto Trans	89661-04760	m .7	996.14
2.7L Eng			
Regular Cab	89661-04790	m .7	1063.33
Xtra Cab, Double Cab	89661-04780	m .7	1063.33
6 Cyl			
Pre-Runner Model	89661-04701	m .7	1510.26
S-Runner Model	89661-04800	m .7	1259.05
4WD			
4 Cyl			
Man Trans	89661-04770	m .7	996.14
Auto Trans	89661-04780	m .7	1063.33
6 Cyl			
Man Trans	89661-04810	m .7	1259.33
Auto Trans	89661-04820	m .7	1326.21
5 Bracket, Front Module			
4 Cyl	R 89668-35150		6.54
	L 89667-35120		7.00
6 Cyl	R 89668-35120		6.83
	L 89667-35080		7.20
6 Bracket, Rear Module	89669-35080		5.92
<i>{Order by Application}</i>			

WINDSHIELD

Use Procedure Explanation 13 with the following text.

R&R Windshield.....	#3.8
---------------------	------

#Includes Clean Up Old Adhesive as Necessary and R&R/R&R Rear View Mirror, Sun Visors, Windshield Garnish, Wiper Arms & Cowl Grille

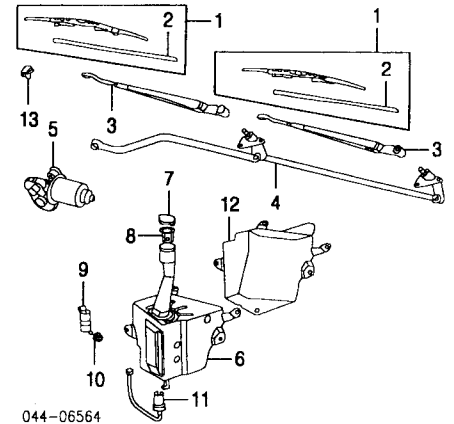


044-06563

1 Glass, Windshield			
Toyota	56111-04050	#3.5	230.37
NAGS			
Green Tint	FW00799GTN	#3.5	534.90
Green Tint/Green Shade	FW00799GGN	#3.5	534.90
<i>#Includes Clean Up Old Adhesive as Necessary and R&R/R&R Rear View Mirror, Sun Visors, Windshield Garnish, Wiper Arms & Cowl Grille</i>			
2 Dam, Windshield	56117-35020		17.55
3 Molding, Windshield			
Type 1	75531-04010		39.44
Type 2	75531-04020		39.44
4 Spacer, Windshield			
Type 1	R/L 56116-24010		1.51
Type 2	R/L 56116-35030		1.91
5 Garnish Assy, Windshield			
Charcoal	R 62211-04070-B0	.2	43.56
	L 62212-04070-B0	.2	53.62
Oak	R 62211-04070-E0	.2	43.56
	L 62212-04070-E0	.2	53.62
6 Clip, Garnish (5/Side)	R/L 90468-05076		.92
<i>{Included w/Windshield Garnish Assy}</i>			
7 Visor, Passenger Sun			
w/Vanity Mirror			
Regular Cab, Xtra Cab			
Charcoal	74310-35570-B0	.2	65.33
Oak	74310-35570-E0	.2	65.33
Double Cab			
Charcoal	74310-35600-B0	.2	65.33
Oak	74310-35600-E0	.2	65.33
w/o Vanity Mirror			
Regular Cab, Xtra Cab			
Charcoal	74310-35580-B0	.2	37.87
Oak	74310-35580-E0	.2	37.87
Double Cab			
Charcoal	74310-35590-B0	.2	37.87
Oak	74310-35590-E0	.2	37.87
8 Visor, Driver Sun			
2WD			
w/Extender			
Regular Cab, Xtra Cab			
w/PreRunner Model			
Charcoal	74320-35660-B0	.2	56.47
Oak	74320-35660-E0	.2	56.47
w/o PreRunner Model			
Charcoal	74320-35640-B0	.2	51.73
Oak	74320-35640-E0	.2	51.73
Double Cab			
Charcoal	74320-35690-B0	.2	56.47
Oak	74320-35690-E0	.2	56.47
w/o Extender			
Regular Cab, Xtra Cab			
w/PreRunner Model			
Charcoal	74320-35670-B0	.2	40.38
Oak	74320-35670-E0	.2	40.38
w/o PreRunner Model			
Charcoal	74320-35650-B0	.2	35.35
Oak	74320-35650-E0	.2	35.35
Double Cab			
Charcoal	74320-35680-B0	.2	40.38
Oak	74320-35680-E0	.2	40.38
4WD			
w/Extender			
Regular Cab, Xtra Cab			
Charcoal	74320-35660-B0	.2	56.47
Oak	74320-35660-E0	.2	56.47
Double Cab			
Charcoal	74320-35690-B0	.2	56.47
Oak	74320-35690-E0	.2	56.47
w/o Extender			
Regular Cab, Xtra Cab			
Charcoal	74320-35670-B0	.2	40.38
Oak	74320-35670-E0	.2	40.38
Double Cab			
Charcoal	74320-35680-B0	.2	40.38
Oak	74320-35680-E0	.2	40.38
9 Support, Visor			
Charcoal	R 74325-04010		3.32
Oak	L 74326-04010		3.32
10 Holder, Visor			
Charcoal	R/L 74348-22020-B9		6.43
Oak	R/L 74348-22020-E1		6.43

11 Mirror, Rear View			
w/Map Lamp			
Charcoal	87810-04050-B0	.2	82.97
Oak	87810-04050-E0	.2	82.97
w/o Map Lamp			
Regular Cab			
Charcoal	87810-04040-B3	.2	97.83
Oak	87810-04040-E0	.2	97.83
Xtra Cab, Double Cab			
Charcoal	87810-04060-B1	.2	67.22
Oak	87810-04060-E0	.2	67.64
12 Cover/Lens, Mirror			
w/Map Lamp			
Charcoal	87818-35010-B3		26.92
Oak	87818-35010-E0		6.54
13 Cover, Mirror			
w/o Map Lamp			
Regular Cab	87834-89104		3.94
Xtra Cab, Double Cab			
Charcoal	87834-89105-B3		6.58
Oak	87834-89105-E2		6.75

WIPER SYSTEM



044-06564

1 Blade Assy, Wiper			
R	85212-04010	.1	12.19
L	85222-04010	.1	12.19
R/L	85214-04010	.1	3.48
<i>{Included w/Wiper Blade Assy}</i>			
2 Insert, Wiper			
R	85211-04010	#2	50.47
L	85221-04010	#2	38.12
<i>#Includes R&R Blade Assy or Insert</i>			
3 Arm, Wiper			
R	85150-04020	.7	166.65
L	85150-04010	.7	166.65
4 Link, Wiper			
w/Cold Climate Spec	85110-04020	.3	163.51
w/o Cold Climate Spec	85110-04010	.3	228.62
5 Motor, Wiper			
w/Cold Climate Spec	85315-04060	.5	78.88
w/o Cold Climate Spec	85315-04050	.5	78.88
6 Tank, Washer			
w/Cold Climate Spec	85316-06020		3.94
w/o Cold Climate Spec	85333-03010		5.44
7 Cap, Washer Tank	85330-06030	#5	61.71
8 Filter, Washer Tank	85365-02010		1.29
9 Pump, Washer	85397-35141	#5	43.56
10 Grommet, Washer Pump			
11 Sensor, Fluid Level			
<i>#Included in R&R Washer Tank</i>			
12 Shield, Washer Tank	R/L 85336-04010		40.38
13 Nozzle, Washer	R/L 85381-04030	.2	9.60

INSTRUMENT PANEL

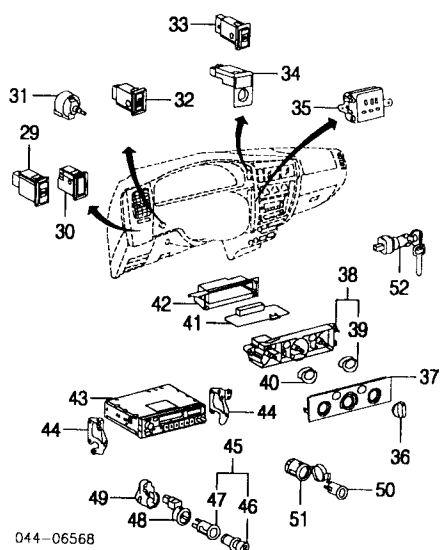
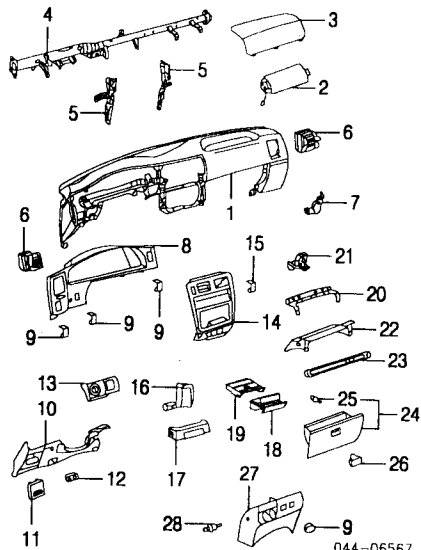
Use Procedure Explanation 14 with the following text.

R&R Instrument Panel.....	m #4.5
<i>#Includes R&I Steering Column</i>	

NOTE: All Parts in this section are included in R&R Instrument Panel unless noted otherwise.

Illustration Located in Next Column

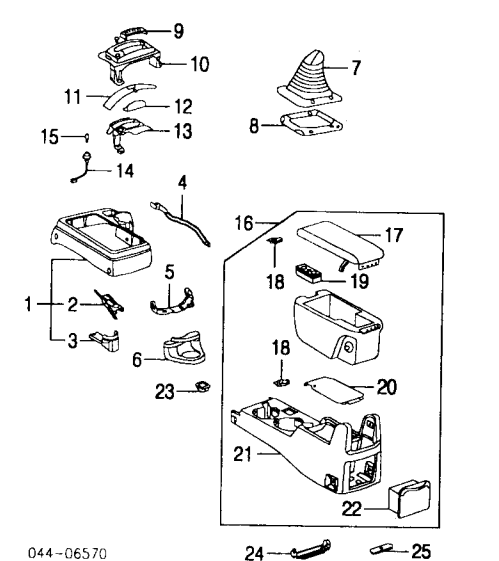
1 Panel, Instrument			
Charcoal	55301-04020-B1	m #6.5	289.29
Oak	55301-04020-E0	m #6.5	297.73
<i>#Includes R&I Steering Column</i>			
2 Module, Pass Air Bag-See Air Bag System Section			
3 Cover, Air Bag Module-See Air Bag System Section			
4 Reinf, Instrument Panel			
01	55330-04060	#5	243.56
02	55330-04070	#5	243.87
<i>#w/Instrument Panel Removed, Not Included in R&R Instrument Panel</i>			
5 Brace, Instrument Panel			
R	55307-04050		34.38
L	55308-04030		37.24
6 Vent, Air			
Passenger Side			
Charcoal	55660-04030-B1	.2	77.31
Oak	55660-04030-E0	.2	77.31
Driver Side			
Charcoal	55650-04020	.2	77.31
Oak	55650-04020	.2	77.31
7 Brkt, Side Panel	R 61181-04010		7.63



2WD	83220-04130	m #1.0	278.22
4WD	83220-04120	m #1.0	264.42
w/o Tachometer	83220-04140	m #1.0	264.42
Canada	N.A.	m #1.0	0.00
5 Odometer			
w/Tachometer			
4 Cyl	83293-04010	m #1.0	145.97
6 Cyl	83293-04020	m #1.0	145.97
6 Tachometer	83881-04450	m #1.0	492.14
7 Gauge, Temp			
w/Tachometer	83883-04450	m #1.0	82.05
w/o Tachometer	83883-04530	m #1.0	98.46
†(Order by Application)			
8 Lens, Side Indicator			
w/Tachometer	R 83834-04100	m #1.0	5.77
	L 83833-04100	m #1.0	5.77
w/o Tachometer	R 83145-04120	m #1.0	5.92
	L 83145-04110	m #1.0	5.92
9 Lens, Center Indicator			
Auto Trans	83832-04100	m #1.0	5.92
10 Lens, Signal Indicator (2)	83145-0W010	m #1.0	5.92
11 Board, Printed Circuit			
w/Tachometer	83861-04450	m #1.0	70.99
w/o Tachometer	83861-04060	m #1.0	70.68
*R&R Complete, Not Included in R&R Instrument Panel			

CENTER CONSOLE

Use Procedure Explanation 14 with the following text.
 R&I Console Assy
 Rear3
 Front5
 #Includes R&I Rear Console



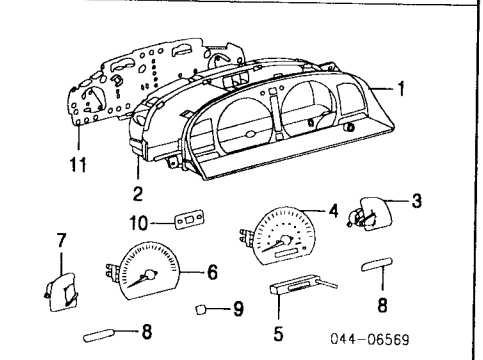
1 Console Assy, Front			
2WD			
w/Rear Console			
Charcoal	58802-35210-B0	#.8	47.58
Oak	58802-35210-E0	#.8	47.58
*Includes R&I Rear Console			
w/o Rear Console			
Man Trans			
Charcoal	58802-04140-B0	.8	82.89
Oak	58802-04140-E0	.8	82.89
Auto Trans			
Charcoal	58802-35170-B1	.8	42.09
Oak	58802-35170-E0	.8	42.24
4WD			
w/Rear Console			
w/2-4 Selector			
Man Trans			
Charcoal	58802-35200-B0	#.8	70.34
Oak	58802-35200-E0	#.8	70.34
Auto Trans			
Charcoal	58802-04130-B0	#.8	82.89
Oak	58802-04130-E0	#.8	82.89
w/o 2-4 Selector			
Man Trans			
Charcoal	58802-35190-B0	#.8	51.49
Oak	58802-35190-E0	#.8	51.49
Auto Trans			
Charcoal	58802-04080-B0	#.8	42.09
Oak	58802-04080-E0	#.8	42.09
*Includes R&I Rear Console			
w/o Rear Console			
w/2-4 Selector			
Man Trans			
Charcoal	58802-04110-B0	.8	73.01
Oak	58802-04110-E0	.8	73.01
Auto Trans			
Charcoal	58802-04090-B0	.8	36.12
Oak	58802-04090-E0	.8	36.12
w/o 2-4 Selector			
Man Trans			
Charcoal	58802-04100-B0	.8	73.01
Oak	58802-04100-E0	.8	73.01

8 Bezel, Inst Cluster	55411-04030	.3	85.20
9 Cover, Switch Hole			
Black (3)	55539-04040-C0	4.14	
Charcoal	55539-06010-B2	3.97	
Oak	55539-12120-E2	4.00	
10 Finisher, Lower Inst Panel			
Charcoal	L 55046-04010-B2	.3	278.57
Oak	L 55046-04010-E0	.3	278.57
11 Cover, Fuse Box			
Charcoal	55545-04050-B0	10.37	
Oak	55545-04050-E0	10.37	
12 Bezel, Cigarette Lighter			
Japan Built	55477-35010	3.69	
Non-Japan Built	55477-04030	7.34	
13 Bezel, Ignition Switch			
w/Clock			
Man Trans	55408-04050	2	12.83
Auto Trans	55408-04040	2	12.83
w/o Clock			
Man Trans	55408-04090	2	9.52
Auto Trans	55408-04080	2	9.52
14 Finisher, Center Cluster	55405-04030	.4	96.86
15 Cover, Switch Hole			
Double Cab	55524-04010	6.29	
16 Panel, Lower Ctr Finish			
Charcoal	55434-04010-B1	2	21.81
Oak	55434-04010-E0	2	21.81
17 Cover, Radio Opng	55522-35020	17.52	
18 Ashtray	74102-04020-C0	52.36	
19 Retainer, Ashtray	74104-04040	37.24	
20 Stay, Instrument Panel	55303-35030	24.04	
21 Striker, Glove Box	55308-04020	2	10.26
22 Finisher, Inst Panel	R 55045-04010	94.00	
23 Reinf, Glove Box			
Japan Built	55558-35010	23.49	
Non-Japan Built	55558-04010	23.61	
24 Box Assy, Glove			
Charcoal	55550-04040-B1	.3	134.41
Oak	55550-04040-E0	.3	134.10
25 Cushion, Glove Box			
Side	R/L 90080-54012	1.83	
Center	90541-06018	4.25	
*Includes w/Glove Box Assy			
26 Lock, Glove Box			
Charcoal	55560-04020-B3	#.2	19.98
Oak	55560-04020-E0	#.2	19.98
*Included in R&R Glove Box Assy			
27 Panel, Lower Instrument			
Regular Cab, Xtra Cab			
Charcoal	55479-04050-B0	2	53.62
Oak	55479-04050-E0	2	53.62
Double Cab			
Charcoal	55479-04060-B0	2	50.47
Oak	55479-04060-E0	2	50.47
28 Clip, Lwr Inst Panel			
Charcoal	R/L 90467-07041-B7	.83	
Oak	R/L 90467-07041-E0	.86	

Illustration Located in Next Column

34 Indicator, Anti-Theft	83950-35020	44.18
35 Clock	83910-35020	223.69
36 Knob, A/C Heater Cont (3)	55905-35310	8.40
37 Plate, Control Unit		
w/A/C	55519-35350	31.21
w/o A/C	55519-35340	31.21
38 Cont Assy, A/C/Heater	55910-35240	.6
39 Knob, Heater Cont	55905-35320	5.06
*Included w/ A/C/Heater Control Assy		
40 Knob, A/C Cont	84661-35010	4.72
41 Amplifier, A/C		
2001		
To 5-01	88650-35120	391.20
From 5-01	88650-35121	244.58
2002	88650-35121	244.58
42 Housing, Cont Unit	55912-35030	24.24
43 Radio		
Regular Cab, Extra Cab		
AM-FM	86120-AD010	#.5 237.88
AM-FM-Cassette	86120-AD030	#.5 295.45
AM-FM-Cassette-CD	86120-AD020	#.5 414.75
Double Cab	86120-AD040	#.5 414.75
*Includes R&R Center Cluster Finisher		
44 Bracket, Radio	R 86211-89111	7.97
	L 86212-89111	7.97
45 Lighter Assy, Cigarette	85500-12240	28.71
46 Element, Lighter	85520-28010	17.87
47 Socket, Lighter	85510-16040	16.75
*Included w/Cigarette Lighter Assy		
48 Ring, Lighter		
w/Lamp	85515-35010	7.66
w/o Lamp	85533-26010	9.86
49 Holder, Lighter	85513-02010	5.83
50 Socket, Accessory (2)	85530-06010	18.02
51 Holder, Socket (2)	85535-35010-B0	8.83
52 Switch, Pass Air Bag		
Regular Cab, Xtra Cab	69006-35012	161.32

INSTRUMENT CLUSTER



1 Lens, Meter			
w/Tachometer			
Man Trans	83852-04110	m #1.0	19.66
Auto Trans	83852-04140	m #1.0	19.66
w/o Tachometer	83852-04050	m #1.0	19.79
2 Housing, Meter			
w/Tachometer	83841-04450	m #1.0	72.56
w/o Tachometer	83841-04060	m #1.0	70.68
3 Gauge, Fuel			
w/Tachometer	83882-04450	m #1.0	100.00
w/o Tachometer	83882-04530	m #1.0	115.46
4 Speedometer			
USA			
w/Tachometer			

TOYOTA TACOMA 2001-02

CENTER CONSOLE Cont'd

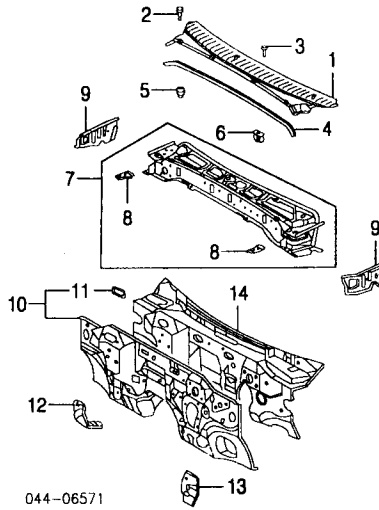
Auto Trans	58802-04120-B0	.8	82.89
Charcoal	58802-04120-E0	.8	82.89
2 Insert, Console			
Regular Cab, Xtra Cab			
Man Trans	58804-04010		16.59
3 Holder, Console Cup			
Regular Cab, Xtra Cab			
Man Trans			
Charcoal	58837-04010-B1		21.58
Oak	58837-04010-E0		21.61
<i>(Included w/Front Console Assy)</i>			
4 Support, Side Console			
Man Trans	58861-04020		12.74
5 Bracket, Front Console			
Man Trans	58991-04030		11.17
6 Holder, Inst Panel Cup			
Man Trans			
Charcoal	55620-35060-B0		44.81
Oak	55620-35060-E0		44.81
7 Boot, Shift			
Man Trans			
2WD	58280-04020		56.82
4WD			
2.7L Eng	58280-04030		84.85
3.4L Eng	58280-04040		84.85
8 Retainer, Shift Boot			
2WD	58287-AD010		16.46
9 Lens, Indicator			
Auto Trans			
2WD			
w/PreRunner Model	35921-35172		33.47
w/o PreRunner Model	35921-35210		33.47
4WD	35921-35172		33.47
10 Housing, Upper Indicator			
Auto Trans	35971-35130		22.32
11 Cover, Indicator			
Auto Trans	35975-35121		13.54
12 Shade, Position			
Auto Trans	35961-35020		2.04
13 Housing, Lower Indicator			
Auto Trans	35974-35130		21.32
14 Socket, Indicator Lamp			
Auto Trans	35906-35100		12.52
15 Bulb, Indicator			
Auto Trans	90981-11018		2.17
16 Console Assy, Rear			
Charcoal	58910-AD010-B0	.3	282.58
Oak	58910-AD010-E0	.3	282.58
17 Lid, Console			
Charcoal	58905-AD010-B0	.2	64.96
Oak	58905-AD010-E0	.2	64.96
18 Lock, Console Lid (2)			
	58908-32040		7.37
19 Box, Coin			
	55450-0C010		23.52
20 Door, Lower Console			
Charcoal	58951-AD010-B0		13.58
Oak	58951-AD010-E0		13.58
21 Box, Rear Console			
Charcoal	58901-AD010-B0	.6	160.15
Oak	58901-AD010-E0	.6	160.15
22 Panel, Rear Console			
Charcoal	58923-AD010-B0		50.81
Oak	58923-AD010-E0		50.81
<i>(Included w/Rear Console Assy)</i>			
23 Holder, Coin			
Charcoal	58916-AD010-B0		9.40
Oak	58916-AD010-E0		9.40
24 Bracket, Rear Console			
	58993-AD010		15.69
25 Plug, Hole (2)			
	90950-06102		2.67

CAB

Use Procedure Explanations 8, 14, 15, 17, 18 and 28 with the following text.

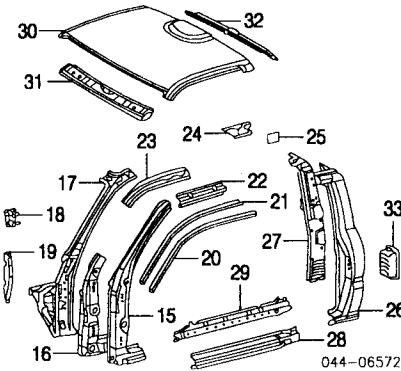
SHEET METAL REGULAR CAB

Refinish Cowl Panel Assy	1.0		
Refinish Front Outer Pillar	R/L	1.0	
Refinish Rear Corner Panel	R/L	1.7	
Refinish Rocker Panel Outside	R/L	1.3	
Refinish Roof Panel Outside		2.2	
Add to Edge Roof		.8	
Refinish Back Panel Assy		2.4	
<i>Illustration Located in Next Column</i>			
1 Grille, Cowl			
w/Cold Climate Spec	55708-04040	#.5	98.11
w/o Cold Climate Spec	55708-04030	#.5	81.08
<i>#Includes R&R Wiper Arms</i>			
2 Clip, Front Cowl (4)	90467-07045-22		.86
3 Clip, Rear Cowl (6)	90164-40093		.57
4 Seal, Cowl	53383-AD010		27.98
5 Grommet, Front Cowl (4)	90467-08184		.80
6 Grommet, Rear Cowl (6)	90189-04184		.63
7 Panel Assy, Cowl			
2001			
4 Cyl	55700-04250	#7.5	375.42
6 Cyl	55700-04240	#7.5	375.42
2002	55700-04290	#7.5	378.57
<i>#Includes R&R Cowl Side Panels</i>			



044-06571

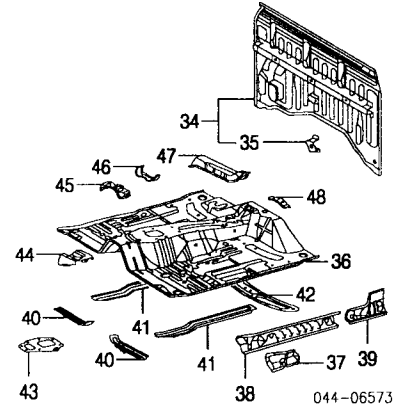
8 Brace, Cowl Panel	R 55715-35010		7.52
	L 55716-35010		7.52
<i>(Included w/Cowl Panel Assy)</i>			
9 Panel, Side Cowl	R 55713-35011	1.0	24.38
	L 55714-35011	1.0	24.38
10 Panel Assy, Dash			
2WD			
Man Trans	55101-04922		282.05
Auto Trans	55101-04926		282.05
4WD			
Man Trans	55101-04921		282.05
Auto Trans	55101-04920		282.05
<i>(Order by Application)</i>			
11 Reinf, Parking Brake (a)	55127-34010		6.12
<i>(a) Included w/Dash Panel Assy</i>			
12 Shield, Dash Heat	R 55225-04050		14.72
13 Insulator, Outer	L 55220-AD010		17.15
14 Insulator, Dash	55210-04050		194.97



044-06572

15 Pillar, Outer Front	R 61131-04020	6.5	229.35
	L 61132-04020	6.5	229.35
16 Reinf, Front Pillar	R 61108-04012	2.0	97.20
	L 61109-04012	2.0	97.20
17 Pillar, Inner Front	R 61161-04906	2.5	145.76
	L 61162-04906	2.5	145.76
18 Brkt, Inst Panel	R 61035-35010		21.86
19 Insulator, Side Cowl	R 62156-35020		8.37
	L 62157-35020		8.37
20 W/Strip, Roof Rail	R 62381-04030	.3	34.16
	L 62382-04030	.3	34.16
21 Rail, Roof Drip	R 61261-04010	1.0	44.14
	L 61262-04010	1.0	44.14
22 Rail, Outer Roof	R 61211-04010		45.44
	L 61212-04010		45.44
23 Rail, Inner Roof	R 61231-35130		62.48
	L 61162-04904		145.76
24 Reinf, Roof Rail	R 61247-35011		27.38
	L 61248-35011		27.38
25 Cover, Inner Side	R/L 61815-04020		5.54
26 Panel, Rear Corner	R 61501-04030	#10.0	185.48
	L 61502-04030	#10.0	185.48
	R 61703-04021	#10.0	103.50
	L 61704-04021	#10.0	103.50
<i>#Time is to Replace Inner & Outer Panels as an Assy, w/Bed Removed, w/Roof Removed Deduct 1.0, w/Cab Back Panel Removed Deduct 3.5</i>			
28 Panel, Outer Rocker	R 61411-04031	4.0	84.22
	L 61412-04031	4.0	84.22
29 Reinf, Inr Rocker Panel	R 61413-04012	2.5	124.95
	L 61414-04012	2.5	124.95
30 Panel, Roof	63111-04040	13.5	199.11
31 Panel, Front Header	63102-04050	1.0	51.93
32 Panel, Rear Header	63105-04030	1.0	75.42

33 Vent, Corner Panel	R 62905-04030	67.51
	L 62906-AD010	79.51



044-06573

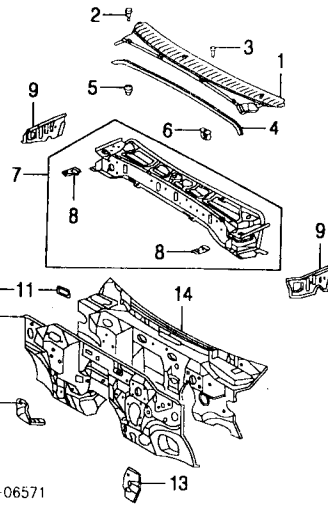
34 Panel Assy, Back			
Bench Seat			
w/6 Speaker System	64101-04100	#10.0	498.46
w/o 6 Speaker System	64101-04120	#10.0	498.46
Bucket Seats			
w/6 Speaker System	64101-04130	#10.0	498.46
w/o 6 Speaker System	64101-04110	#10.0	498.46
<i>#w/Bed Assy Removed, Includes R&R Back Glass, Trim & Seats, w/Roof Removed Deduct 3.0</i>			
35 Clamp, Jack Handle	58706-35020		5.43
<i>(Included w/Back Panel Assy)</i>			
36 Panel, Floor			
2WD			
w/PreRunner Model	58111-04072		473.19
w/o PreRunner Model			
Man Trans	58111-04122		473.19
Auto Trans	58111-04170		473.19
4WD			
Man Trans	58111-04082		473.19
Auto Trans	58111-04072		473.19
37 Reinf, Sidemember	R 57486-04010		23.15
	L 57487-04011		23.15
38 Sidemember, Front	R 57411-35022	2.5	73.34
	L 57412-35022	2.5	73.34
39 Sidemember, Rear	R 57401-04902	1.0	119.06
	L 57402-04900	1.0	100.97
40 Reinf, Front Floor	R 57512-04010		24.38
	L 57513-04010		24.38
41 Reinf, Side Floor	R/L 57417-35020		45.76
42 Crossmember, Lower Rear			
Bench Seat	57605-04070	1.5	94.34
Bucket Seat, Seat	57605-04091	1.5	118.32
43 Support, Shift Lever	58123-35070		26.84
44 Brkt, Front Body Mtg	R 57023-35011		68.48
	L 57024-35011		68.48
45 Brace, Inst Panel	58109-35010		20.83
46 Bracket, Console	58995-35011		9.09
47 Crossmember, Upr Rear	R 57051-04060		55.56
	L 57052-04070		55.56
48 Brkt, Center Mtg	58225-35010		7.34

SHEET METAL XTRA CAB

Refinish Cowl Panel Assy	1.0	
Refinish Front Outer Pillar	R/L	1.0
Refinish Rear Corner Panel	R/L	2.2
Refinish Rocker Panel Outside	R/L	1.3
Refinish Roof Panel Outside		2.5
Add to Edge Roof		.8
Refinish Back Panel Assy		2.4

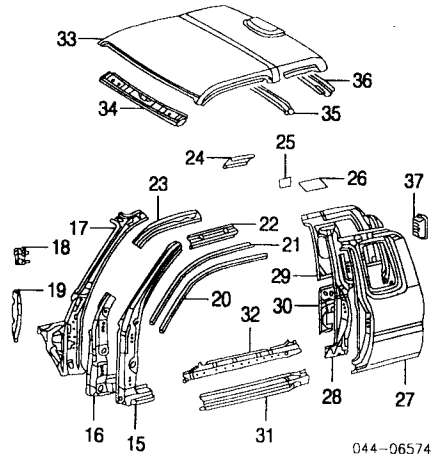
Illustration Located in Next Column

1 Grille, Cowl			
w/Cold Climate Spec	55708-04040	#.5	98.11
w/o Cold Climate Spec	55708-04030	#.5	81.08
<i>#Includes R&R Wiper Arms</i>			
2 Clip, Front Cowl (4)	90467-07045-22		.86
3 Clip, Rear Cowl (6)	90164-40093		.57
4 Seal, Cowl	53383-AD010		27.98
5 Grommet, Front Cowl (4)	90467-08184		.80
6 Grommet, Rear Cowl (6)	90189-04184		.63
7 Panel Assy, Cowl			
2001			
4 Cyl	55700-04250	#7.5	375.42
6 Cyl	55700-04240	#7.5	375.42
2002	55700-04290	#7.5	378.57
<i>#Includes R&R Cowl Side Panels</i>			
8 Brace, Cowl Panel	R 55715-35010		7.52
	L 55716-35010		7.52
<i>(Included w/Cowl Panel Assy)</i>			
9 Panel, Side Cowl	R 55713-35011	1.0	24.38
	L 55714-35011	1.0	24.38
10 Panel Assy, Dash			
2WD			
4 Cyl			



044-06571

Man Trans	55101-04922	282.05
Auto Trans	55101-04926	282.05
6 Cyl		
Pre-Runner Model	55101-04924	282.05
S-Runner Model	55101-04927	282.05
4WD		
4 Cyl		
Man Trans	55101-04921	282.05
Auto Trans	55101-04920	282.05
6 Cyl		
Man Trans	55101-04925	282.05
Auto Trans	55101-04923	282.05
<i>Order by Application</i>		
11 Reinf, Parking Brake (a)	55127-34010	6.12
<i>(a) Included w/Dash Panel Assy</i>		
12 Shield, Dash Heat		
4 Cyl	R 55225-04050	14.72
6 Cyl	R 55225-04040	30.49
13 Insulator, Outer	L 55220-AD010	17.15
14 Insulator, Dash	55210-04050	194.97

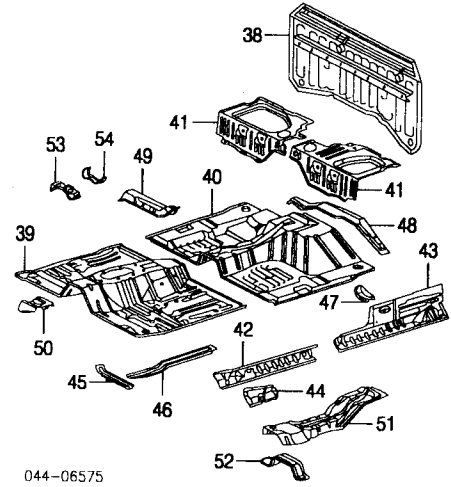


044-06574

15 Pillar, Outer Front	R 61131-04020	6.5	229.35
	L 61132-04020	6.5	229.35
16 Reinf, Front Pillar	R 61108-04012	2.0	97.20
	L 61109-04012	2.0	97.20
17 Pillar, Inner Front	R 61161-04906	2.5	145.76
	L 61162-04906	2.5	145.76
18 Brkt, Inst Panel	R 61035-35010	21.86	
19 Insulator, Side Cowl	R 62156-35020	8.37	
	L 62157-35020	8.37	
20 W/Strip, Roof Rail	R 62381-04030	3	34.16
	L 62382-04030	3	34.16
21 Rail, Roof Drip	R 61261-04010	1.0	44.14
	L 61262-04010	1.0	44.14
22 Rail, Outer Roof	R 61211-04010	45.44	
	L 61212-04010	45.44	
23 Rail, Inner Roof			
w/Sunroof	R 61231-35140	62.48	
	L 61162-04905	145.76	
w/o Sunroof	R 61231-35130	62.48	
	L 61162-04904	145.76	
24 Reinf, Roof Rail	R 61247-35011	27.39	
	L 61248-35011	27.39	
25 Cover, Front Inner Side	R/L 61815-04020	5.54	
26 Cover, Rear Inner Side	R 61815-04010	8.80	
	L 61816-04010	8.80	
27 Panel, Rear Otr Corner	R 61611-04011	#11.5	211.09
	L 61612-04011	#11.5	211.09

#w/Bed Assy Removed, Includes R&R Glass, w/Roof Removed
Deduct 1.0, w/Back Panel Removed Deduct 3.5

28 Reinf, Corner Panel	R 61503-04030	3.0	120.21
	L 61504-04030	3.0	120.21
29 Panel, Upr Inr Corner	R 61705-04020	3.5	170.99
	L 61706-04020	3.5	170.99
30 Panel, Lwr Inr Corner	R 61617-04012	1.0	41.58
	L 61618-04012	1.0	41.58
31 Panel, Outer Rocker	R 61411-04031	4.0	84.22
	L 61412-04031	4.0	84.22
32 Reinf, Rocker Panel	R 61413-04012	2.5	124.95
	L 61414-04012	2.5	124.95
33 Panel, Roof			
w/Sunroof	63111-04060	15.5	199.11
w/o Sunroof	63111-04050	15.5	199.11
34 Panel, Front Header	63102-04050	1.0	51.93
35 Reinf, Roof Panel	63141-35011	1.0	58.07
36 Panel, Rear Header	63135-04022	1.0	43.21
37 Vent, Corner Panel	R 62905-35010	39.75	
	L 62906-35010	39.75	



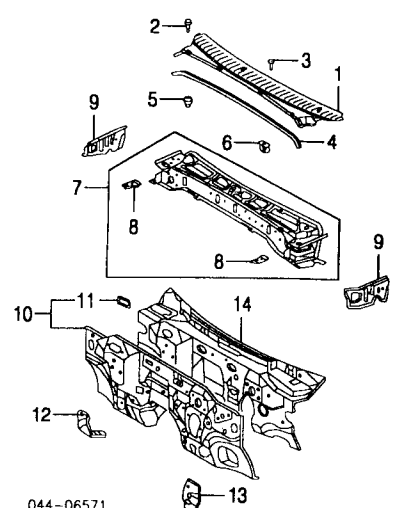
044-06575

#w/Bed Assy Removed, Includes R&R Back Glass, Trim & Seats, w/Roof Removed Deduct 3.0

38 Panel, Back	64101-04140	#11.0	498.46
39 Panel, Front Floor			
2WD			
w/PreRunner Model	58111-04211		432.21
w/o PreRunner Model			
Man Trans	58111-04231		432.21
Auto Trans	58111-04310		432.21
4WD			
Man Trans			
4 Cyl	58111-04221		432.21
6 Cyl	58111-04201		432.21
Auto Trans	58111-04211		432.21
40 Panel, Rear Floor	58311-04011		388.05
41 Panel, Seat Floor	R 58201-04011		92.11
	L 58202-04011		92.11
42 Sidemember, Front	R 57411-35022	2.5	73.34
	L 57412-35022	2.5	73.34
43 Sidemember, Rear	R 57401-04903	2.5	214.83
	L 57402-04902	2.5	121.81
44 Reinf, Sidemember	R 57486-04010		23.15
	L 57487-04011		23.15
45 Reinf, Front Floor	R 57512-04010		24.38
	L 57513-04010		24.38
46 Reinf, Side Floor	R/L 57417-35010		26.46
47 Holder, Jack	R 58965-35010		13.78
48 Crossmember, Rear	57652-04041		69.73
49 Crossmember, Seat	R 57051-04060		55.56
	L 57052-04070		55.56
50 Brkt, Front Body Mtg	R 57023-35011		68.48
	L 57024-35011		68.48
	58295-04021		140.07
51 Reinf, Seat Belt Anchor	58161-35031		76.68
52 Reinf, Anchor/Panel	58161-35021		76.68
Bench Seat			76.68
Bucket Seats			20.83
53 Brkt, Inst Panel	58109-35010		20.83
54 Brkt, Console Mtg	58995-35011		9.09

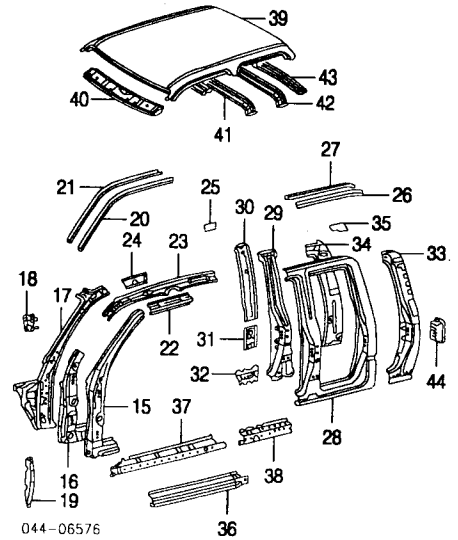
SHEET METAL DOUBLE CAB

Refinish Cowl Panel Assy	1.0
Refinish Front Outer Pillar	R/L 1.0
Refinish Center Pillar Section	R/L 1.0
Refinish Rear Otr Corner Pillar Section	R/L 1.0
Refinish Otr Door Opening Panel	R/L 3.0
Refinish Rocker Panel Outside	R/L 1.3
Refinish Roof Panel	2.7
Add to Edge Roof	.8
Refinish Back Panel Assy	2.4
Section Center Pillar	R/L 6.5
Section Rear Otr Corner Pillar	R/L 6.5
Add to R&R Outer Door Opening Panel	
w/Step Plate	R/L 5



044-06571

1 Grille, Cowl			
w/Cold Climate Spec	55708-04040	#5	98.11
w/o Cold Climate Spec	55708-04030	#5	81.08
<i>#Includes R&R Wiper Arms</i>			
2 Clip, Front Cowl (4)	90467-07045-22		.86
3 Clip, Rear Cowl (6)	90164-40093		.57
4 Seal, Cowl	53383-AD010		27.98
5 Grommet, Front Cowl (4)	90467-08184		.80
6 Grommet, Rear Cowl (6)	90189-04184		.63
7 Panel Assy, Cowl			
2001			
4 Cyl	55700-04250	#7.5	375.42
6 Cyl	55700-04240	#7.5	375.42
2002	55700-04290	#7.5	378.57
<i>#Includes R&R Cowl Side Panels</i>			
8 Brace, Cowl Panel	R 55715-35010		7.52
	L 55716-35010		7.52
<i>(Included w/Cowl Panel Assy)</i>			
9 Panel, Side Cowl	R 55713-35011	1.0	24.38
	L 55714-35011	1.0	24.38
10 Panel Assy, Dash			
2WD			
4 Cyl	55101-04926		282.05
6 Cyl	55101-04924		282.05
4WD			
Man Trans	55101-04925		282.05
Auto Trans	55101-04923		282.05
11 Reinf, Parking Brake (a)	55127-34010		6.12
<i>(a) Included w/Dash Panel Assy</i>			
12 Shield, Dash Heat			
4 Cyl	R 55225-04050		14.72
6 Cyl	R 55225-04040		30.49
13 Insulator, Outer	L 55220-AD010		17.15
14 Insulator, Dash	55210-04050		194.97



044-06575

15 Pillar, Outer Front	R 61131-04020	6.5	229.35
	L 61132-04020	6.5	229.35
16 Reinf, Front Pillar	R 61108-04012	2.0	97.20
	L 61109-04012	2.0	97.20
17 Pillar, Inner Front	R 61161-04906	2.5	145.76
	L 61162-04906	2.5	145.76
18 Brkt, Inst Panel	R 61035-35010	21.86	
19 Insulator, Side Cowl	R 62156-35020	8.37	
	L 62157-35020	8.37	

TOYOTA TACOMA 2001-02

CAB Cont'd

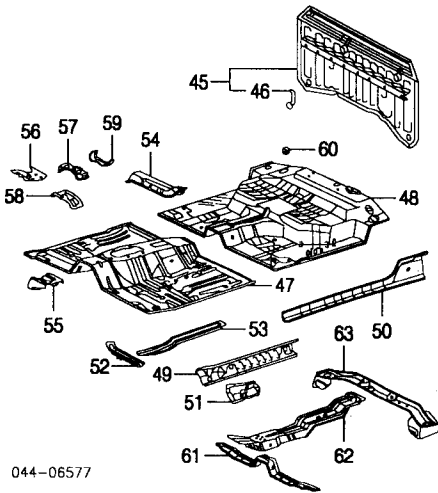
SHEET METAL

DOUBLE CAB Cont'd

20	W/Strip, Front Roof Rail	R 62381-04030	.3	34.16
		L 62382-04030	.3	34.16
21	Rail, Front Roof Drip	R 61261-04010	1.0	44.14
		L 61262-04010	1.0	44.14
22	Rail, Outer Roof	R 61211-04010	1.0	45.44
		L 61212-04010	1.0	45.44
23	Rail, Inner Roof	R 61231-04020	2.0	108.20
		L 61232-04020	2.0	108.20
24	Reinf, Roof Rail	R/L 61247-35011		27.38
25	Cover, Front Inner Side	R/L 61815-04020		5.54
26	W/Strip, Rear Roof Rail	R/L 62383-04010	.3	35.19
27	Rail, Rear Roof Drip	R 61267-04010		34.38
		L 61268-04010		34.38
28	Panel, Otr Door Opening	R 61611-04021	#14.5	354.05
		L 61612-04021	#14.5	354.05

#w/Bed Removed, w/Roof Removed Deduct 1.0, w/Cab Back Panel Removed Deduct 3.5

29	Reinf, Center Pillar	R 61303-35012	2.0	159.62
		L 61304-35012	2.0	159.62
30	Panel, Inr Upr Pillar	R 61341-04010	1.0	83.60
		L 61342-04010	1.0	83.60
31	Panel, Inr Ctr Pillar	R 61343-04010	.5	19.81
		L 61344-04010	.5	19.81
32	Panel, Inr Lwr Pillar	R 61345-04010	.5	22.58
		L 61346-04010	.5	22.58
33	Pillar, Rear Corner	R 61501-04040	2.5	212.00
		L 61502-04040	2.5	212.00
34	Panel, Inner Corner	R 61703-04040	2.0	87.08
		L 61704-04040	2.0	87.08
35	Cover, Inner Rear Side	R 61815-04030		8.80
		L 61816-04020		8.80
36	Panel, Outer Rocker	R 61411-04031	4.0	84.22
		L 61412-04031	4.0	84.22
37	Reinf, Front Rocker Panel	R 61413-04012	2.5	124.95
		L 61414-04012	2.5	124.95
38	Reinf, Rear Rocker Panel	R 61423-04010	2.0	76.05
		L 61424-04010	2.0	76.05
39	Panel, Roof w/Sunroof	63111-04070	17.0	536.92
	w/Roof Rack	63111-04080	17.0	536.92
	w/o Roof Rack	63111-04030	17.0	536.92
40	Panel, Front Header w/Roof Rack	63102-04030	1.0	54.53
	w/o Roof Rack	63102-04050	1.0	51.93
41	Reinf, Front Roof Panel w/o Roof Rack	63141-04900	1.0	64.08
42	Reinf, Rear Roof Panel w/o Roof Rack	63141-04010	1.0	56.47
43	Panel, Rear Header	63109-04010	1.0	19.29
	w/o Roof Rack	63135-04022	1.0	43.21
44	Vent, Corner Panel	R 62905-04030	1.0	67.51



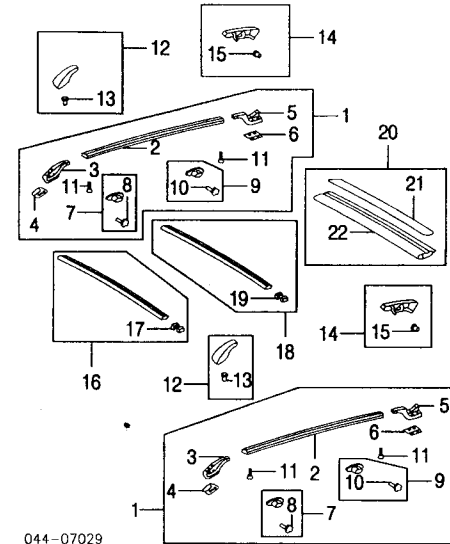
044-06577

45	Panel Assy, Back	64101-04150	#11.0	488.97
	#w/Bed Assy Removed, Includes R&R Back Glass, Trim & Seats, w/Roof Removed Deduct 3.0			
46	Bracket, Tool Bag	58785-89106		9.09
	#Included w/Back Panel Assy			
47	Panel, Front Floor	58111-04211		432.21
	2WD			
	4WD			
	Man Trans	58111-04201		432.21
	Auto Trans	58111-04211		432.21
48	Panel, Rear Floor	58311-04900		552.07
49	Sidemember, Front	R 57411-35022		73.34
		L 57412-35022		73.34
50	Sidemember, Rear	R 57415-04900		127.78
		L 57416-04900		127.78
51	Reinf, Sidemember	R 57486-04010		23.15
		L 57487-04011		23.15
52	Reinf, Front Floor	R 57512-04010		24.38
		L 57513-04010		24.38
53	Reinf, Side Floor	R/L 57417-35010		26.46

54	Crossmember, Seat	R 57051-04060		55.56
		L 57052-04070		55.56
55	Brkt, Front Body Mtg	R 57023-35011		68.48
		L 57024-35011		68.48
56	Reinf, Side Floor	R 58117-35010		26.95
		L 58118-35010		26.95
57	Brkt, Inst Panel	58109-35010		20.83
58	Plate, Front Floor	58194-35010		15.23
59	Brkt, Console Mtg	58995-35011		9.09
60	Reinf, Rear Seat Hinge	R/L 58247-35020		10.66
61	Crossmember, Front	57652-04070	1.5	118.32
62	Reinf, Rear Floor	58351-04010		212.00
63	Crossmember, Rear	57606-35060	2.5	288.05

EXTERIOR TRIM DOUBLE CAB

R&L Roof Rack Assy			.5	
R&L Step Plate		R/L	.5	

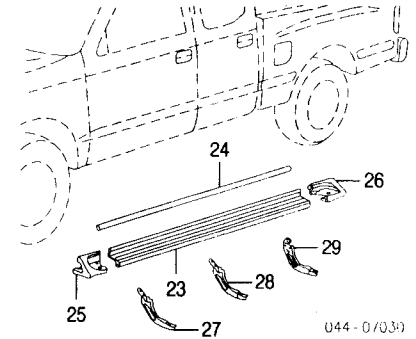


044-07029

1	Rail Assy, Side	R 63407-AD011	.3	261.22
		L 63408-AD011	.3	388.05
2	Rail, Side	R/L 63447-AD010		163.73
3	End, Front Rail	R 63471-AD010		58.70
		L 63472-AD010		58.70
4	Cushion, Front	R 63486-AD010		4.23
		L 63487-AD010		4.23
5	End, Rear Rail	R 63473-AD010		78.88
		L 63474-AD010		78.88
6	Cushion, Rear	R 63488-AD010		6.37
		L 63489-AD010		6.37
7	Stay Assy, Front	R 63453-AD010		41.67
		L 63454-AD010		41.67
8	Cap, Front Retainer (a)	R/L 63498-0C010		8.32
	(a) Included w/Front Stay Assy			
9	Stay Assy, Rear	R 63456-AD010		41.67
		L 63457-AD010		41.67
10	Cap, Rear Retainer (b)	R/L 63498-0C010		8.32
	(b) Included w/Rear Stay Assy			
11	Retainer, Mtg (4/Side)	R/L 90162-50016		.57
	#Included w/Side Rail Assy			
12	Cover Assy, Front End	R 63491-AD010		38.81
		L 63492-AD010		38.81
13	Retainer, Cover	R/L 90467-11094		.86
	#Included w/Front End Cover Assy			
14	Cover Assy, Rear End	R 63493-AD010		39.13
		L 63494-AD010		39.13
15	Retainer, Cover (2/Side)	R/L 90467-11094		.86
	#Included w/Rear End Cover Assy			
16	Support Assy, Frt Rack	63409-AD011		163.73
17	Retainer, Support	R/L 63479-0C010		.86
	#Included w/Front Rack Support Assy			
18	Support Assy, Ctr Rack	63409-AD011		163.73
19	Retainer, Support	R/L 63479-0C010		.86
	#Included w/Center Rack Support Assy			
20	Support Assy, Rear Rack	63409-AD020		261.85
21	Protector, Rack	63446-AD010		53.62
22	Retainer, Rack	63459-AD010		226.49
	#Included w/Rear Rack Support Assy			

Illustration Located in Next Column

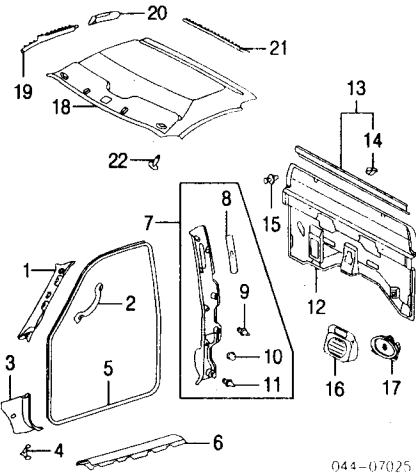
23	Plate, Step	R 51771-04010	1.0	266.25
		L 51772-04010	1.0	266.25
24	Moulding, Step Plate	R/L 51775-04010		27.12
25	Cap, Front Plate	R 51773-04010		48.30
		L 51774-04010		48.30
26	Cap, Rear Plate	R 51779-04010		48.30
		L 51759-04010		48.30
27	Brkt, Front Step Plate	R 51793-04010		36.30
		L 51794-04010		36.30
28	Brkt, Center Step Plate	R 51795-04010		41.01



044-07030

29	Brkt, Rear Step Plate	R 51796-04010		41.01
		L 51797-04010		42.93
		L 51798-04010		42.93

INTERIOR TRIM REGULAR CAB

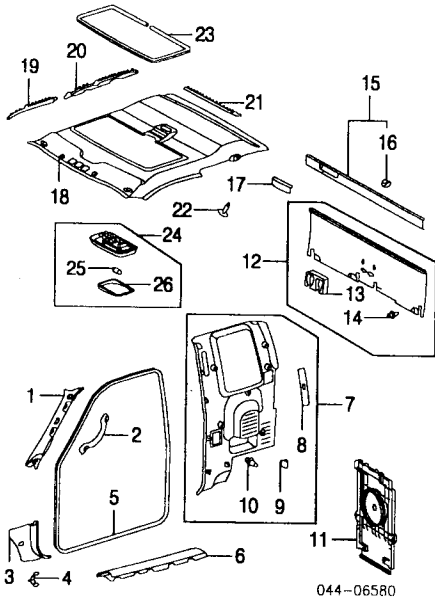


044-07025

1	Garnish Assy, Windshield-See Windshield Section			
2	Grip, Assist			
	Charcoal	R 74610-04040-B0	.2	30.98
	Oak	R 74610-04040-E0	.2	30.98
3	Panel, Cowl Trim			
	Charcoal	R 62111-04030-B2	.3	41.67
		L 62112-04030-B2	.3	41.67
		R 62111-04030-E1	.3	41.67
		L 62112-04030-E1	.3	41.67
4	Retainer, Cowl Trim	R/L 62135-35010		2.92
5	W/Strip, Door Opng	R 62311-04020		5.70
		L 62312-04030		5.70
6	Plate, Scuff			
	Charcoal	R 67913-04040-B0	.2	67.22
		L 67914-04040-B0	.2	67.22
	Oak	R 67913-04040-E0	.2	67.22
		L 67914-04040-E0	.2	67.22
7	Panel Assy, Corner Trim			
	Charcoal	R 62511-04080-B0	.4	140.82
		L 62512-04080-B0	.4	140.82
	Oak	R 62511-04080-E0	.4	140.82
		L 62512-04080-E0	.4	140.82
8	Cover, Seat Belt Anchor			
	Charcoal	R/L 73237-04010-B0		6.20
	Oak	R/L 73237-04010-E0		6.20
9	Clip, Upper (3/Side)	R/L 90467-10168		.86
10	Clip, Center (4/Side)	R/L 90468-05078		.92
11	Clip, Lower	R/L 90467-10149		.86
	#Included w/Corner Trim Panel Assy			
12	Panel, Back Trim			
	w/Speaker			
	Charcoal	64271-04090-B0	.5	378.57
	Oak	64271-04090-E0	.5	378.57
	w/o Speaker			
	Charcoal	64271-04100-B0	.5	388.05
	Oak	64271-04100-E0	.5	388.05
13	Garnish Assy, Back			
	Charcoal	64261-35020-B2	.3	52.99
	Oak	64261-35020-E1	.3	52.99
14	Clip, Garnish (5)	90468-05047		.46
	#Included w/Back Garnish Assy			
15	Clip, Trim Panel (4)			
	Charcoal	90467-06150-B2		1.00
	Oak	90467-06150-E2		1.00
16	Box, Speaker			
	Charcoal	R/L 86269-04010-B0		79.19
	Oak	R/L 86269-04010-E0		79.19
17	Speaker, Rear	R/L 86160-AD050	.3	39.96
18	Headliner			
	Charcoal	63310-04080-B0	3.0	454.30

19	Spacer, Front Rail	R 66413-04010 L 66423-04010	3.0	454.30 23.55
20	Spacer, Rear Rail	R 66415-04010 L 66425-04010		20.18
21	Pad, Rear Headliner	R 63355-04010 L 63356-04010		23.55 18.18
22	Clip, Headliner (2)	Charcoal 90467-06020-B2 Oak 90467-06020-E1		1.23 1.23
	Lamp Assy, Room	Charcoal 81240-02030-B1 Oak 81240-12051-E1	2	29.78
	Bulb[]	90981-14011	2	29.97
	Lens, Room Lamp[]	81241-01020	2	1.94
	[]Included w/Room Lamp Assy			

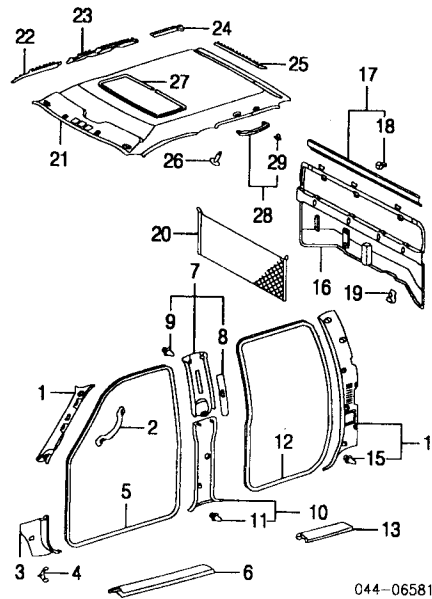
**INTERIOR TRIM
XTRA CAB**



1	Garnish Assy, Windshield-See Windshield Section			
2	Grip, Assist	Charcoal R 74610-04040-B0 Oak R 74610-04040-E0	2	30.98
3	Panel, Cowl Trim	Charcoal R 62111-04030-B2 L 62112-04030-B2 Oak R 62111-04030-E1 L 62112-04030-E1	3	41.67
4	Retainer, Cowl Trim	R/L 62135-35010	2	2.92
5	W/Strip, Door Opng	R 62311-04020 L 62312-04030	5	70.35
6	Plate, Scuff	Charcoal R 67913-04040-B0 L 67914-04040-B0 Oak R 67913-04040-E0 L 67914-04040-E0	2	67.22
7	Panel Assy, Side Trim	Charcoal R 62511-04090-B0 L 62512-04090-B0 Oak R 62511-04090-E0 L 62512-04090-E0	6	169.06
8	Cover, Seat Belt Anchor[]	Charcoal R/L 73237-04010-B0 Oak R/L 73237-04010-E0	6	6.20
9	Clip, Front[] (4/Side)	R/L 90468-05076	92	.92
10	Clip, Rear[] (9/Side)	R/L 90467-10148		.86
	[]Included w/Side Trim Panel Assy			
11	Speaker, Rear	R/L 86160-AD060		42.89
12	Panel Assy, Back Trim	Japan Built Charcoal 64262-04010-B2 Oak 64262-04010-E1	5	179.19
	Non-Japan Built Charcoal 64262-04011-B2 Oak 64262-04011-E1	5	0.00	
13	Holder, Rear Seat Belt[]	Japan Built Charcoal 73381-04010-B2 Oak 73381-04010-E1	16	16.46
	Non-Japan Built Charcoal 73381-04020-B2 Oak 73381-04020-E1	17	17.32	
14	Clip, Back Panel[] (10)	67771-30070	1	1.64
	[]Included w/Back Trim Panel Assy			
15	Garnish Assy, Back	Charcoal 64261-04050-B0 Oak 64261-04050-E0	3	53.62
16	Clip, Garnish[] (5)	90468-04134		.69
	[]Included w/Back Garnish Assy			
17	Cover, Back Garnish	Charcoal 64275-04030-B0 Oak 64275-04030-E0	20	20.18

18	Headliner	w/Sunroof Charcoal 63310-04100-B0 Oak 63310-04100-E0	4.0	580.45
	w/o Sunroof w/Map Lamp Charcoal 63310-04090-B0 Oak 63310-04090-E0	3.8	580.45	
	w/o Map Lamp Charcoal 63310-04070-B0 Oak 63310-04070-E0	3.8	580.45	
19	Spacer, Front Rail	R 66413-04010 L 66423-04010		23.55
20	Spacer, Rear Rail	R 66415-04030 L 66425-04030		33.47
21	Pad, Rear Headliner	R 63355-04020 L 63356-04020		23.55 18.18
22	Clip, Headliner (2)	Charcoal 90467-06020-B2 Oak 90467-06020-E1		1.23 1.23
23	Welt, Sunroof-See Sunroof Section			
24	Lamp Assy, Room	Charcoal 81240-02030-B1 Oak 81240-12051-E1	2	29.78
	Bulb[]	90981-14011	2	29.97
	Lens, Room Lamp[]	81241-01020	2	1.94
	[]Included w/Room Lamp Assy			

**INTERIOR TRIM
DOUBLE CAB**



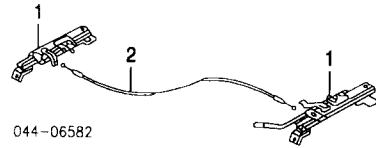
1	Garnish Assy, Windshield-See Windshield Section			
2	Grip, Assist	Charcoal R 74610-04040-B0 Oak R 74610-04040-E0	2	30.98
3	Panel, Cowl Trim	Charcoal R 62111-04030-B2 L 62112-04030-B2 Oak R 62111-04030-E1 L 62112-04030-E1	3	41.67
4	Retainer, Cowl Trim	R/L 62135-35010	2	2.92
5	W/Strip, Front Door Opng	R 62311-04020 L 62312-04030	5	70.35
6	Plate, Front Scuff	Charcoal R 67913-04040-B0 L 67914-04040-B0 Oak R 67913-04040-E0 L 67914-04040-E0	2	67.22
7	Panel Assy, Uptr Center Trim	Charcoal R 62411-04010-B0 L 62412-04010-B0 Oak R 62411-04010-E0 L 62412-04010-E0	#3	53.62
	#Includes R&R Lower Center Trim Panel			
8	Cover, Seat Belt Anchor[]	Charcoal R/L 73237-04010-B0 Oak R/L 73237-04010-E0	6	6.20
9	Clip, Trim Panel[] (2/Side)	R/L 90467-10168		.86
	[]Included w/Upper Center Trim Panel Assy			
10	Panel Assy, Lwr Center Trim	Charcoal R 62413-04010-B0 L 62414-04010-B0 Oak R 62413-04010-E0 L 62414-04010-E0	2	53.62
11	Clip, Trim Panel[] (2/Side)	R/L 90467-10161		.80
	[]Included w/Lower Center Trim Panel Assy			
12	W/Strip, Rear Door Opng	R 62331-04010 L 62332-04010	5	54.73
13	Plate, Rear Scuff	Charcoal R/L 67917-04010-B0 Oak R/L 67917-04010-E0	2	33.47
14	Panel Assy, Rear Pillar Trim	Charcoal R 62511-04070-B0	4	140.82

		Oak L 62512-04070-B0 R 62511-04070-E0 L 62512-04070-E0	4	140.82
15	Clip, Trim Panel[] (7/Side)	R/L 90467-10168		.86
	[]Included w/Rear Pillar Trim Panel Assy			
16	Panel, Back Trim	Charcoal 64271-04080-B0 Oak 64271-04080-E0	5	457.45
17	Garnish Assy, Back	Charcoal 64261-35020-B2 Oak 64261-35020-E1	3	52.99
18	Clip, Garnish[] (5)	90468-05047		.46
	[]Included w/Back Garnish Assy			
19	Hook, Cargo Net (4)	Charcoal 64267-35010-B0 Oak 64267-35010-E0		12.06 12.06
20	Net, Cargo	58299-AD010		176.99
21	Headliner	w/Sunroof Charcoal 63310-04120-B0 Oak 63310-04120-E0	5.0	697.20
	w/o Sunroof Charcoal 63310-04110-B0 Oak 63310-04110-E0	4.8	697.20	
22	Spacer, Front Rail	R 66413-04010 L 66423-04010		23.55
23	Spacer, Center Rail	R 66415-04060 L 66425-04060		34.72
24	Spacer, Rear Rail	R 66415-04050 L 66425-04050		30.24
25	Pad, Rear Headliner	R 63355-04020 L 63356-04020		23.55 18.18
26	Clip, Headliner (2)	Charcoal 90467-06020-B2 Oak 90467-06020-E1		1.23 1.23
27	Welt, Sunroof-See Sunroof Section			
28	Grip Assy, Rear Assist	Charcoal R/L 74610-04030-B0 Oak R/L 74610-04030-E0	2	20.03
29	Hook, Coat[]	Charcoal R/L 74631-35010-B2 Oak R/L 74631-35010-E0	2	1.49
	[]Included w/Rear Assist Grip Assy			
	Lamp Assy, Room	Charcoal 81240-02030-B1 Oak 81240-12051-E1	2	29.78
	Bulb[]	90981-14011	2	29.97
	Lens, Room Lamp[]	81241-01020	2	1.94
	[]Included w/Room Lamp Assy			

FRONT SEAT

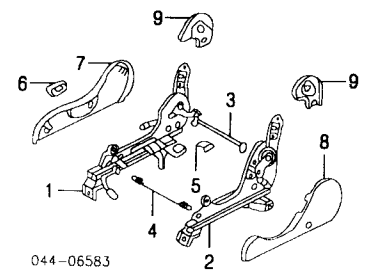
BENCH SEAT

R&L Seat Assy			4	
1	Adjuster, Seat Track	R 72110-04010 L 72120-04010	#5	113.00
	#R&R Both Sides .6		#5	124.38
2	Cable, Adjuster Control	72210-35010		23.95



**BUCKET SEAT
PASSENGER SIDE**

R&L Seat Assy			3	
1	Adjuster, Outer Seat Track	Regular Cab 72011-04060 Xtra Cab 72011-04080 Double Cab 72011-04090	#5	227.07
2	Adjuster, Inner Seat Track	Regular Cab 72012-04060 Xtra Cab, Double Cab 72012-35170	#5	227.07
	#R&R Complete .7			
3	Pipe, Connecting	72501-04010		19.03
4	Wire, Adjusting	72301-04010		3.77
5	Cap, Seat Track	Charcoal R 72137-04030-B0 L 72137-04010-B2 Oak R 72137-04030-E0 L 72137-04010-E0	4	4.14

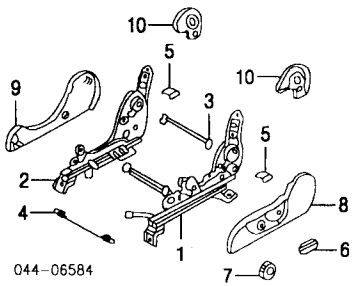


TOYOTA TACOMA 2001-02

FRONT SEAT Cont'd			
BUCKET SEAT			
PASSENGER SIDE Cont'd			
6	Handle, Recliner Adjuster		
	Charcoal	72525-04040-B2	5.20
	Oak	72525-04040-E0	5.20
7	Cover, Outer Trim		
	Charcoal	71811-04010-B2	2 58.70
	Oak	71811-04010-E0	2 58.70
8	Cover, Inner Trim		
	Charcoal	71861-04010-B2	2 41.33
	Oak	71861-04010-E0	2 41.33
9	Cover, Inner Recliner		
	Charcoal	R 71875-04040-B0	13.89
		L 71867-04010-B2	12.35
	Oak	R 71875-04040-E0	13.89
		L 71867-04010-E0	12.38

BUCKET SEAT DRIVER SIDE

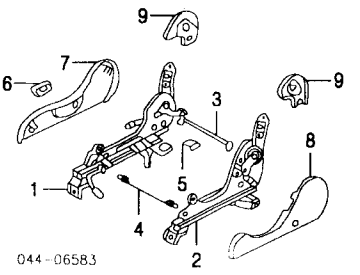
R&I Seat Assy..... 3



1	Adjuster, Outer Seat Track		
	Regular Cab	72012-04060	#5 227.07
	Xtra Cab, Double Cab	72012-35170	#5 293.03
2	Adjuster, Inner Seat Track		
	Regular Cab	72021-04010	#5 208.35
	Xtra Cab, Double Cab		
	w/Sport Seats	72022-35080	#5 208.35
	w/o Sport Seats	72022-04030	#5 208.35
	#R&I Complete .7		
3	Pipe, Connecting	72501-04010	19.03
4	Wire, Adjusting		
	w/Sport Seats	72301-04020	3.77
	w/o Sport Seats	72301-04010	3.77
5	Cap, Seat Track		
	Charcoal	R 72138-04010-B2	5.20
		L 72137-04030-B0	4.14
	Oak	R 72138-04010-E0	5.20
		L 72137-04030-E0	4.14
6	Handle, Recliner Adjuster		
	Charcoal	72526-04010-B2	5.20
	Oak	72526-04010-E0	5.20
7	Knob, Vertical Adjuster		
	Charcoal	72457-06010-B6	9.95
	Oak	72457-06010-E3	9.95
8	Cover, Outer Trim		
	w/Sport Seats		
	Charcoal	71812-35020-B2	2 44.81
	Oak	71812-35020-E0	2 44.81
	w/o Sport Seats		
	Charcoal	71812-04010-B2	2 58.70
	Oak	71812-04010-E0	2 58.70
9	Cover, Inner Trim		
	Charcoal	71862-04010-B2	2 41.33
	Oak	71862-04010-E0	2 41.33
10	Cover, Inner Recliner		
	Charcoal	R 71868-04010-B2	12.35
		L 71876-04010-B2	13.89
	Oak	R 71868-04010-E0	12.38
		L 71876-04010-E0	13.92

SPLIT SEAT PASSENGER SIDE

R&I Seat Assy..... 3

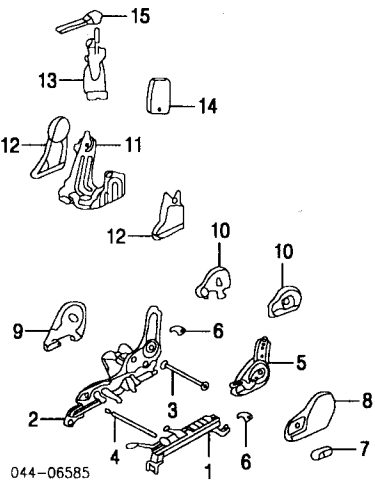


1	Adjuster, Otr Seat Track	72011-04070	#5 245.78
---	--------------------------	-------------	-----------

2	Adjuster, Inr Seat Track	72021-04030	#5 209.20
	#R&I Complete .7		
3	Pipe, Connecting	72501-04010	19.03
4	Wire, Adjusting	72301-04010	3.77
5	Cap, Seat Track		
	Charcoal	R 72137-04030-B0	4.14
		L 72137-04010-B2	5.20
	Oak	R 72137-04030-E0	4.14
		L 72137-04010-E0	5.20
6	Handle, Recliner Adjuster		
	Charcoal	72525-04040-B2	5.20
	Oak	72525-04040-E0	5.20
7	Cover, Outer Trim		
	Charcoal	71811-04010-B2	2 58.70
	Oak	71811-04010-E0	2 58.70
8	Cover, Inner Trim		
	Charcoal	71861-04010-B2	2 41.33
	Oak	71861-04010-E0	2 41.33
9	Cover, Inner Recliner		
	Charcoal	R 71875-04010-B0	13.92
		L 71867-04010-B2	12.35
	Oak	R 71875-04010-E0	13.92
		L 71867-04010-E0	12.38

SPLIT SEAT DRIVER SIDE

R&I Seat Assy..... 3



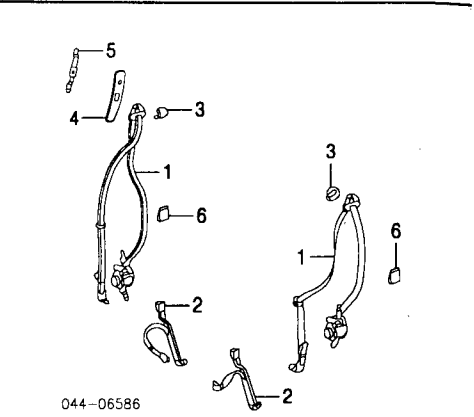
1	Adjuster, Otr Seat Track	72120-04030	#5 135.78
2	Adjuster, Inr Seat Track	72022-04070	#5 208.03
	#R&I Complete .7		
3	Rod, Connecting	72501-04020	19.03
4	Wire, Adjusting	72301-04010	3.77
5	Adjuster, Otr Recliner	72520-04010	132.55
6	Cap, Seat Track		
	Charcoal	R 72138-04010-B2	5.20
		L 72137-04030-B0	4.14
	Oak	R 72138-04010-E0	5.20
		L 72137-04030-E0	4.14
7	Handle, Recliner Adjuster		
	Charcoal	72526-04010-B2	5.20
	Oak	72526-04010-E0	5.20
8	Cover, Outer Trim		
	Charcoal	71812-04020-B2	2 11.80
	Oak	71812-04020-E0	2 11.80
9	Cover, Inner Trim		
	Charcoal	71862-04020-B2	2 27.44
	Oak	71862-04020-E0	2 27.44
10	Cover, Inner Recliner		
	Charcoal	R 71868-04020-B2	15.40
		L 71876-04020-B2	13.89
	Oak	R 71868-04020-E0	15.40
		L 71876-04020-E0	13.92
		71162-04040	55.84
11	Brtk, Lower Seat Back		
12	Cover, Seat Cushion		
	Charcoal	R 72991-04050-B0	25.66
		L 72992-04010-B0	25.66
	Oak	R 72991-04050-E0	25.66
		L 72992-04010-E0	25.66
		72809-04030	214.55
13	Lock, Armrest		
14	Cover, Lock		
	Charcoal	72551-0C010-B1	18.01
	Oak	72551-0C010-E0	18.01
15	Handle, Lock		
	Charcoal	72525-0C010-B1	4.57
	Oak	72525-0C010-E0	4.57

SEAT BELTS

FRONT BENCH SEAT

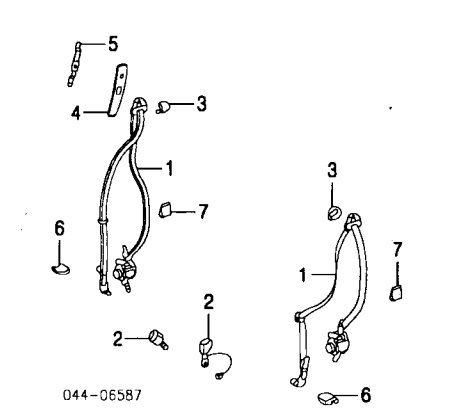
Illustration Located in Next Column

1	Belt, Shoulder		
---	----------------	--	--



Charcoal	R 73210-04120-B0	#3 114.16	
	L 73220-04130-B0	#3 114.16	
Oak	R 73210-04120-E0	#3 114.16	
	L 73220-04130-E0	#3 114.16	
	#w/Corner Trim or Side Trim Removed		
2	Belt/Buckle, Center		
	Charcoal	R 73230-04110-B0	.3 50.19
		L 73240-04120-B0	.3 31.22
	Oak	R 73230-04110-E0	.3 50.19
		L 73240-04120-E0	.3 31.22
3	Cap, Belt Anchor		
	Japan Built		
	Charcoal	R/L 73178-33020-B1	4.80
	Oak	R/L 73178-33020-E0	4.77
	Non-Japan Built		
	Charcoal	R/L 73178-AA010-B1	6.00
	Oak	R/L 73178-AA010-E1	6.00
4	Cover, Seat Belt Anchor-See Cab Section		
5	Adjuster, Seat Belt	R/L 73200-04020	47.01
6	Cover, Seat Belt Hole		
	Charcoal	R/L 73297-04010-B0	9.23
	Oak	R/L 73297-04010-E0	9.23

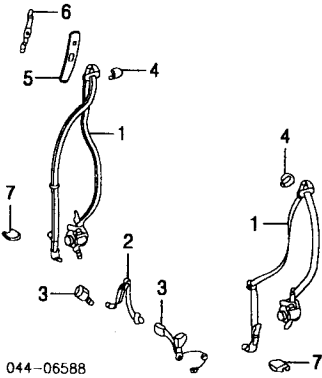
FRONT BUCKET SEATS



1	Belt, Shoulder		
	Regular Cab		
	Charcoal	R 73210-04120-B0	#3 114.16
		L 73210-04130-E0	#3 114.16
	Oak	R 73210-04120-E0	#3 114.16
		L 73220-04130-E0	#3 114.16
	Xtra Cab		
	Charcoal	R 73210-04130-B0	#3 114.16
		L 73220-04140-B0	#3 114.16
	Oak	R 73210-04130-E0	#3 114.16
		L 73220-04140-E0	#3 114.16
	Double Cab		
	Charcoal	01 R 73210-04110-B0	#3 114.16
		L 73220-04120-B0	#3 114.16
		02 R 73210-04140-B0	#3 144.60
		L 73220-04140-B0	#3 114.16
	Oak	01 R 73210-04110-E0	#3 114.16
		L 73220-04120-E0	#3 114.16
		02 R 73210-04110-E0	#3 114.16
		L 73220-04140-E0	#3 114.16
	#w/Corner Trim, Side Trim or Upper Center Pillar Trim Removed		
2	Buckle, Seat Belt		
	Charcoal	R 73230-04120-B0	.3 0.00
		L 73240-04130-B0	.3 0.00
	Oak	R 73230-04120-E0	.3 0.00
		L 73240-04130-E0	.3 0.00
3	Cap, Belt Anchor		
	Japan Built		
	Charcoal	R/L 73178-33020-B1	4.80
	Oak	R/L 73178-33020-E0	4.77
	Non-Japan Built		
	Charcoal	R/L 73178-AA010-B1	6.00
	Oak	R/L 73178-AA010-E1	6.00
4	Cover, Seat Belt Anchor-See Cab Section		

5 Adjuster, Seat Belt	R/L 73200-04020	47.01
6 Cover, Lower Anchor Xtra Cab, Double Cab Charcoal	R/L 73139-89101-B3	5.40
Oak	R/L 73139-89101-E2	5.43
7 Cover, Seat Belt Hole Regular Cab Charcoal	R/L 73297-04010-B0	9.23
Oak	R/L 73297-04010-E0	9.23

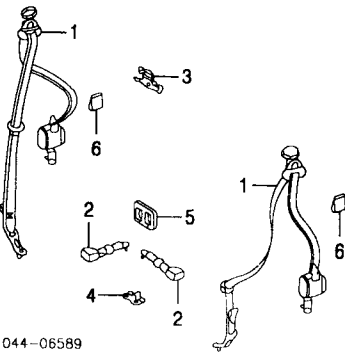
FRONT SPLIT SEAT



044-06588

1 Belt, Shoulder			
Charcoal	R 73210-04130-B0	#3	114.16
Oak	L 73220-04140-B0	#3	114.16
	R 73210-04130-E0	#3	114.16
	L 73220-04140-E0	#3	114.16
<i>#w/Corner Trim or Side Trim Removed</i>			
2 Belt, Center			
Charcoal	73130-04040-B0	3	35.74
Oak	73130-04040-E0	3	35.74
3 Buckle, Seat Belt			
Charcoal	R 73230-04120-B0	3	0.00
Oak	L 73240-04140-B0	3	0.00
	R 73230-04120-E0	3	0.00
	L 73240-04140-E0	3	0.00
4 Cap, Belt Anchor			
Japan Built			
Charcoal	R/L 73178-33020-B1	4.80	
Oak	R/L 73178-33020-E0	4.77	
Non-Japan Built			
Charcoal	R/L 73178-AA010-B1	6.00	
Oak	R/L 73178-AA010-E1	6.00	
5 Cover, Seat Belt Anchor-See Cab Section			
Adjuster, Seat Belt	R/L 73200-04020	47.01	
6 Cover, Lower Anchor			
Charcoal	R/L 73139-89101-B3	5.40	
Oak	R/L 73139-89101-E2	5.43	

REAR XTRA CAB

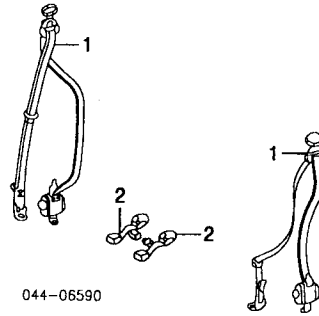


044-06589

1 Belt, Shoulder			
Japan Built			
Charcoal	R 73360-04040-B0	#3	111.20
Oak	L 73370-04040-B0	#3	111.20
	R 73360-04040-E0	#3	111.20
	L 73370-04040-E0	#3	111.20
Non-Japan Built			
Charcoal	R 73360-04030-B0	#3	0.00
Oak	L 73370-04030-B0	#3	0.00
	R 73360-04030-E0	#3	0.00
	L 73370-04030-E0	#3	0.00
<i>#w/Side Trim Panel Removed</i>			
2 Buckle, Seat Belt			
Japan Built			
Charcoal	R/L 73380-04030-B0	3	17.70
Oak	R/L 73380-04030-E0	3	17.70
Non-Japan Built			
Charcoal	R/L 73380-04020-B0	3	0.00
Oak	R/L 73380-04020-E0	3	0.00

3 Brkt, Upper Anchor	73709-35010	12.03
4 Brkt, Lower Anchor	73709-35020	10.46
5 Holder, Rear Seat Belt-See Cab Section		
6 Cover, Seat Belt Hole		
Charcoal	R/L 73297-0C010-B1	9.29
Oak	R/L 73297-0C010-E0	9.29

REAR DOUBLE CAB



044-06590

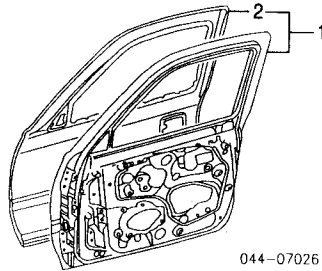
1 Belt, Shoulder			
Charcoal	R 73360-04020-B0	#3	114.63
Oak	L 73370-04020-B0	#3	114.63
	R 73360-04020-E0	#3	114.63
	L 73370-04020-E0	#3	114.63
<i>#w/Rear Pillar Trim Panel Removed</i>			
2 Belt/Buckle, Center			
Charcoal	R 73470-04010-B0	3	26.18
Oak	L 73480-04010-B0	3	40.85
	R 73470-04010-E0	3	26.18
	L 73480-04010-E0	3	40.85

FRONT DOOR

Use Procedure Explanations 16 and 28 with the following text.

SHEET METAL

Refinish Door Outside			
Regular Cab, Xtra Cab	R/L	2.2	
Double Cab	R/L	2.2	
Add for Jambes & Interior	R/L	1.0	
Add for Jambes	R/L	5	
R&I Door Assy	R/L	5	
Section Door Repair Panel	R/L	#4.8	
<i>#Time is to Cut at Belt Line</i>			
Add to R&I/R&R Door Shell or Repair Panel			
w/Pwr Windows	R/L	3	



044-07026

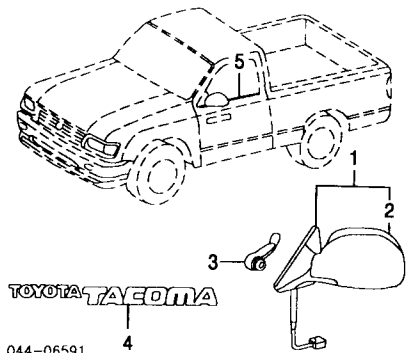
1 Shell Assy, Door			
Regular Cab, Xtra Cab	R 67001-04130	3.5	674.18
Double Cab	L 67002-04120	3.5	674.18
	R 67001-04130	3.5	674.18
	L 67002-04120	3.5	674.18
2 Panel, Door Repair			
Regular Cab, Xtra Cab	R 67111-04051	5.8	252.47
Double Cab	L 67112-04061	5.8	252.47
	R 67111-04051	5.8	252.47
	L 67112-04061	5.8	252.47
<i>#Included w/Door Shell Assy</i>			

EXTERIOR TRIM

Refinish Mirror Assy	R/L	.6	
R&I Mirror Assy			
Manual	R/L	.3	
Power	R/L	#7	
<i>#Includes R&I Trim Panel</i>			
R&I Outer Belt W/Strip	R/L	#1.0	
<i>#Includes R&I Mirror & Trim Panel</i>			

Illustration Located in Next Column

1 Mirror Assy, Rear View			
Manual			



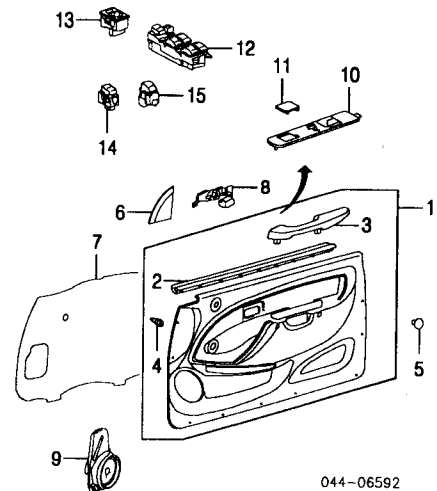
044-06591

Base Black	R 87910-04080	3	120.72
L 87940-04080		3	120.72
Black (Code 209)	R 87910-04080-C0	3	134.62
L 87940-04100-C0		3	134.62
Red			
Code 3L5	R 87910-04090-D1	3	134.62
L 87940-04100-D1		3	134.62
Code 3P1	R 87910-04090-D2	3	134.62
L 87940-04100-D2		3	134.62
Silver (Code 1C8)	R 87910-04090-E0	3	134.62
L 87940-04100-E0		3	134.62
Power Chrome			
Chrome	R 87910-35840	#3	172.84
L 87940-35751		#3	172.84
Paint to Match	R 87910-35580	#3	172.84
L 87940-35551		#3	172.84
<i>#w/Trim Panel Removed</i>			
2 Glass, Power Mirror	R 87931-35840		34.84
L 87961-35751			34.68
<i>#Included w/Rear View Mirror Assy</i>			
3 Knob, Mirror Control			
Man Mirror	R/L 87918-04010		12.86
4 Nameplate (Adhesive)			
"TOYOTA TACOMA"			
2001	R/L 75473-04010	2	27.12
2002			
Black	R/L 75473-04030-C0	2	27.09
Red	R/L 75473-04030-D0	2	27.09
5 W/Strip, Outer Belt	R 68160-04020	#3	16.65
L 68210-04020		#3	16.65
<i>#w/Mirror & Trim Panel Removed</i>			

INTERIOR TRIM

R&I Trim Panel	R/L	4	
----------------	-----	---	--

NOTE: All Parts in this section are included in R&R Trim Panel unless noted otherwise.



044-06592

1 Panel Assy, Trim			
Man Windows			
w/Cloth Trim			
Charcoal	R 67610-04220-B0	.6	229.69
Oak	L 67620-04240-B0	.6	229.69
	R 67610-04220-E0	.6	229.69
	L 67620-04240-E0	.6	229.69
w/o Cloth Trim			
Charcoal	R 67610-04240-B0	.6	287.08
Oak	L 67620-04260-B0	.6	287.08
	R 67610-04240-E0	.6	287.08
	L 67620-04260-E0	.6	287.08
Pwr Windows			
Charcoal	R 67610-04230-B0	.6	229.69
Oak	L 67620-04250-B0	.6	229.69
	R 67610-04230-E0	.6	229.69
	L 67620-04250-E0	.6	229.69

TOYOTA TACOMA 2001-02

FRONT DOOR Cont'd

INTERIOR TRIM Cont'd

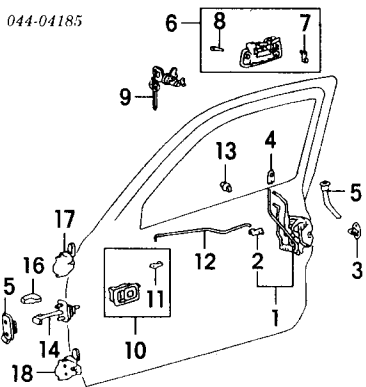
2 W/Strip, Inner Belt[]	R/L 68171-35120	16.65	
3 Armrest[]			
Charcoal	R 74210-04030-B0	2	69.11
	L 74210-89105-B0	2	57.73
Oak	R 74210-04030-E0	2	69.11
	L 74220-04010-E0	2	69.11
4 Clip, Trim Panel[] (9/Side)	R/L 90467-09206		.83
#Included w/Trim Panel Assy			
5 Cap, Panel Retainer (2/Side)			
Charcoal	R/L 67772-04030-B0		2.11
Oak	R/L 67772-04030-E0		2.11
6 Garnish, Inner Mirror			
Man Mirror	R 67491-04040		20.23
	L 67492-04040		20.23
Pwr Mirror	R 67491-AD010		12.95
	L 67492-AD010		12.95
7 Shield, Moisture			
Man Windows	R/L 67831-04040	#	9.60
Pwr Windows	R/L 67831-04050	#	9.60
8 Speaker, Upr Door	R 86160-AD030	#2	28.45
	L 86160-AD040	#2	28.45
9 Speaker, Lwr Door	R 86160-AD010	#2	37.26
	L 86160-AD020	#2	37.26
#w/Trim Panel Removed, Not Included in R&R Trim Panel			
10 Panel, Door Switch			
Regular Cab, Xtra Cab			
Charcoal	R 74201-35010-B0	2	33.12
	L 74202-35020-B0	2	36.61
Oak	R 74201-35010-E0	2	33.12
	L 74202-35020-E0	2	36.61
Double Cab			
Charcoal	R 74201-35010-B0	2	33.12
	L 74202-35010-B0	2	29.41
Oak	R 74201-35010-E0	2	33.12
	L 74202-35010-E0	2	29.41
11 Cover, Switch Hole			
Man Mirror			
Charcoal	L 55524-35010-B2		5.34
Oak	L 55524-35010-E1		5.34
12 Switch, Master Window			
Regular Cab, Xtra Cab	L 84820-04010		232.50
Double Cab	L 84820-04020		315.46
13 Switch, Power Mirror	L 84870-08010		111.06
14 Switch, Power Window	R 84820-16060		139.44
15 Switch, Power Lock	R 84930-14090		49.84

HARDWARE

Refinish Outside Handle.....	R/L	5
Refinish Upper Hinge.....	R/L	2
Refinish Lower Hinge.....	R/L	2
R&I Outside Handle.....	R/L	#7

#Includes R&I Trim Panel

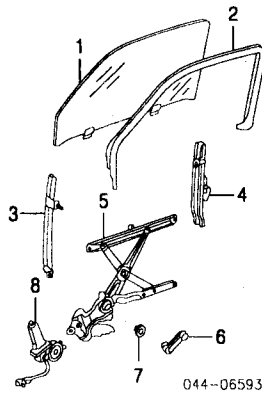
044-04185



1 Latch Assy, Door			
Man Lock	R 69310-04010	#3	107.26
	L 69320-04010	#3	118.95
Pwr Locks	R 69300-04010	#3	245.13
	L 69040-04010	#3	245.13
#w/Trim Panel Removed			
2 Clip, Door Latch[] (a)			
Orange	69759-20080		1.71
Pink	69759-20090		1.71
#Included w/Door Latch Assy			
(a) As Required			
3 Striker, Door Latch	R/L 69410-AC010	2	13.75
4 Knob, Lock			
Charcoal	R/L 69741-04010-B3		3.17
Oak	R/L 69741-04010-E3		3.17
5 Holder, Lock Knob	R 69751-35010		5.40
	L 69752-35010		5.40
6 Handle Assy, Outside			
Base Black	R 69210-35020	#3	78.57
	L 69220-35020	#3	78.57
Black (Code 209)	R 69210-35070-C0	#3	78.57
	L 69220-35070-C0	#3	78.57
Chrome	R 69210-35030	#3	78.57
	L 69220-35030	#3	78.57
Red	R 69210-35070-D1	#3	78.57

Code 3P1	L 69220-35070-D1	#3	78.57
	R 69210-35070-D2	#3	78.57
	L 69220-35070-D2	#3	78.57
Silver (Code 1C8)	R 69210-35070-B0	#3	78.57
	L 69220-35070-B0	#3	78.57
#w/Trim Panel Removed			
7 Clip, Outside Handle[]	R 69293-12060		4.60
	L 69293-12050		4.60
8 Bumper, Handle[] (2/Side)	R/L 90541-04014		.66
#Included w/Outside Handle Assy			
9 Cylinder, Door Lock[]	R 69051-35070	#3	46.34
	L 69052-35070	#3	46.34
#Included w/Complete Lock Set-listed in Steering Wheel/Column Section			
#w/Trim Panel Removed, Included in R&R Outside Handle			
10 Handle Assy, Inside			
Charcoal	R 69205-10070-B2	#2	20.21
	L 69206-10070-B2	#2	20.21
Oak	R 69205-10070-E2	#2	20.23
	L 69206-10070-E2	#2	20.23
#w/Trim Panel Removed			
11 Clip, Inr Handle[]	R 69759-20070		1.60
	L 69759-20060		1.60
#Included w/Inside Handle Assy			
12 Rod, Lock	R 69711-04030		7.06
	L 69712-04030		7.06
13 Clamp, Lock Rod	R/L 69749-89101		.91
14 Check, Door	R 68610-04010	#2	48.82
	L 68620-04010	#2	55.27
#w/Trim Panel Removed			
15 Cover, Front Check	R/L 68621-35010		5.43
16 Cover, Upper Check	R 68621-35020		2.06
	L 68622-35010		2.06
17 Hinge, Upper	R/L 68740-34010	#2	39.13
18 Hinge, Lower	R/L 68730-34010	#2	39.13
#w/Door Assy Removed			

GLASS & PARTS



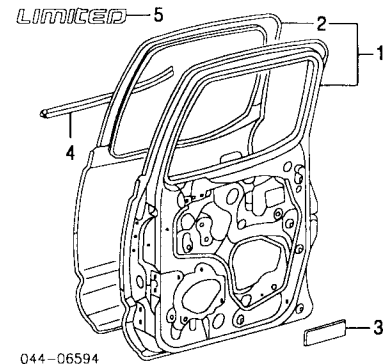
1 Glass, Door			
Toyota	R 68101-04070	1.2	127.12
	L 68102-04070	1.2	127.12
NAGS (Green)	R/L FD05471-2GTJ	1.2	365.15
2 Run, Glass	R 68141-04010	#3	94.93
	L 68151-04010	#3	94.93
#w/Glass Removed			
3 Channel, Front Glass	R 67401-04010		32.50
	L 67402-04010		32.50
4 Channel, Rear Glass	R 67403-04010		41.95
	L 67404-04010		41.95
5 Regulator, Window			
Manual	R 69810-04080	#8	77.48
	L 69820-04080	#8	77.48
Power	R 69801-35100	#1.0	77.48
	L 69802-35090	#1.0	77.48
#w/Glass Removed Deduct .6			
6 Handle, Regulator			
Charcoal	R/L 69260-04020-B3		12.99
Oak	R/L 69260-04020-E1		12.99
7 Bezel, Handle	R/L 69268-20020		1.40
8 Motor, Regulator	R 85710-35080	#1.0	254.93
	L 85720-35040	#1.0	254.93
#Includes R&R Regulator, w/Glass Removed Deduct .6			

REAR DOOR

Use Procedure Explanations 16 and 28 with the following text.

SHEET METAL/EXTERIOR TRIM

Refinish Door Outside.....	R/L	2.0
Add for Jamb & Interior.....	R/L	1.0
Add for Jamb.....	R/L	.5
R&I Door Assy.....	R/L	.5
Section Door Repair Panel.....	R/L	#4.5
Add to R&I R&R Door Shell or Repair Panel		
w/Pwr Windows.....	R/L	.3
R&I Outer Belt W/Strip.....	R/L	#7
#Includes R&I Trim Panel		



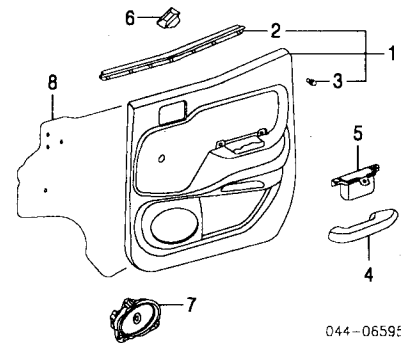
044-06594

1 Shell Assy, Door	R 67003-04020	3.3	544.42
	L 67004-04020	3.3	544.42
2 Panel, Door Repair[]	R 67113-04010	5.5	237.36
	L 67114-04010	5.5	191.93
#Included w/Door Shell Assy			
3 Pad, Silencer	R/L 67816-04020		11.20
4 W/Strip, Outer Belt	R 68180-04010	#3	16.65
	L 68230-04010	#3	16.65
#w/Trim Panel Removed			
5 Nameplate (Adhesive)	R/L N.A.	.2	0.00
LIMITED			

INTERIOR TRIM

R&I Trim Panel..... R/L .4

NOTE: All Parts in this section are included in R&R Trim Panel unless noted otherwise.



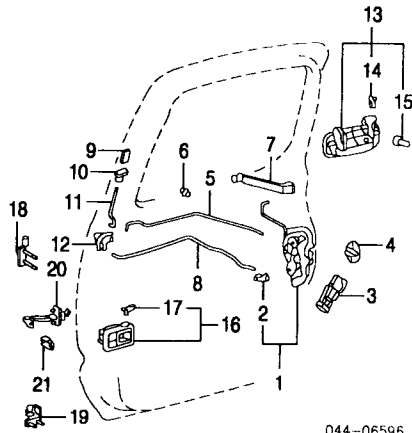
044-06595

1 Panel Assy, Trim			
Man Windows			
Charcoal	R 67630-04010-B1	.6	236.61
	L 67640-04010-B1	.6	236.61
Oak	R 67630-04010-E1	.6	236.61
	L 67640-04010-E1	.6	236.61
Pwr Windows			
Charcoal	R 67630-04020-B1	.6	236.61
	L 67640-04020-B1	.6	236.61
Oak	R 67630-04020-E1	.6	236.61
	L 67640-04020-E1	.6	236.61
2 W/Strip, Inner Belt[]	R 68173-35030		16.65
	L 68174-35020		16.65
3 Clip, Trim Panel[] (7/Side)	R/L 90467-09206		.83
#Included w/Trim Panel Assy			
4 Armrest			
Charcoal	R 74250-04010-B0	.2	51.10
	L 74260-04010-B0	.2	51.10
Oak	R 74250-04010-E0	.2	51.10
	L 74260-04010-E0	.2	51.10
5 Handle, Pull			
Charcoal	R/L 74811-04010-B0		20.49
Oak	R/L 74811-04010-E0		20.49
6 Switch, Power Window			
Charcoal	R/L 84810-AA010-B1	.2	47.33
Oak	R/L 84810-AA010-E0	.2	50.91
7 Speaker, Rear	R 86160-AD070	#2	38.96
	L 86160-AD080	#2	38.96
8 Shield, Moisture	R/L 67841-04010	#	9.15
#w/Trim Panel Removed, Not Included in R&R Trim Panel			

HARDWARE

Refinish Outside Handle.....	R/L	5
Refinish Upper Hinge.....	R/L	2
Refinish Lower Hinge.....	R/L	2
R&I Outside Handle.....	R/L	#7

#Includes R&I Trim Panel



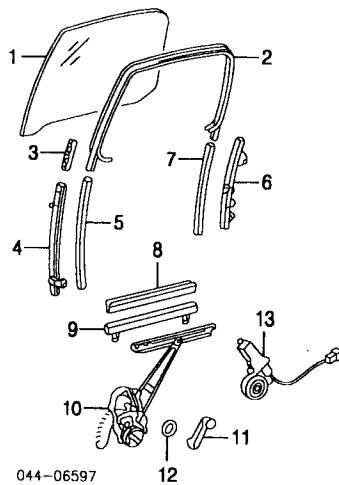
044-06596

1 Latch Assy, Door Man Lock	R 69330-04010	#3	107.26
	L 69340-04010	#3	107.26
Pwr Locks	R 69305-04020	#3	107.26
	L 69306-04020	#3	107.26
#w/Trim Panel Removed			
2 Clip, Door Latch (2/Side)	R 69759-20090		1.71
	L 69759-20080		1.71
 Included w/Door Latch Assy			
3 Actuator, Lock	R 69190-04010	#3	91.48
	L 69140-04010	#3	91.48
#w/Trim Panel Removed			
4 Striker, Door Latch	R/L 69410-0C020	2	8.26
5 Rod, Inside Handle	R 69713-04010		7.06
	L 69714-04010		7.06
6 Clamp, Rod (2/Side)	R/L 69749-89101		.91
7 Protector, Rod	R 69727-04010		12.92
	L 69728-04010		12.92
8 Rod, Lock	R 69737-04010		7.23
	L 69738-04010		7.23
9 Knob, Lock Charcoal	R/L 69741-04010-B3		3.17
	L 69741-04010-E3		3.17
10 Guide, Lock Knob	R/L 69736-16050		7.09
11 Rod, Lock Knob	R/L 69735-04010		7.06
12 Bellcrank, Lock Rod	R/L 69753-10010		6.72
13 Handle Assy, Outside Base Black	R 69230-35080	#3	78.57
	L 69240-35080	#3	78.57
Black (Code 209)	R 69230-35090-C0	#3	78.57
	L 69240-35090-C0	#3	78.57
Chrome	R 69230-35070	#3	78.57
	L 69240-35070	#3	78.57
Red	R 69230-35090-D0	#3	78.57
Code 3L5	R 69240-35090-D0	#3	78.57
Code 3P1	R 69230-35090-D1	#3	78.57
	L 69240-35090-D1	#3	78.57
Silver (Code 1C8)	R 69230-35090-B0	#3	78.57
	L 69240-35090-B0	#3	78.57
#w/Trim Panel Removed			
14 Clip, Outside Handle (2/Side)	R 69293-12030		1.91
	L 69293-12040		1.91
15 Bumper, Handle (2/Side)	R/L 90541-04014		.66
 Included w/Outside Handle Assy			
16 Handle Assy, Inside Charcoal	R 69205-10070-B2	#2	20.21
	L 69206-10070-B2	#2	20.21
Oak	R 69205-10070-E2	#2	20.23
	L 69206-10070-E2	#2	20.23
#w/Trim Panel Removed			
17 Clip, Inside Handle (2/Side)	R 69759-20070		1.60
	L 69759-20060		1.60
 Included w/Inside Handle Assy			
18 Hinge, Upper	R 68750-35030	#2	39.13
	L 68760-35030	#2	39.13
19 Hinge, Lower	R/L 68770-35040	#2	35.67
#w/Door Assy Removed			
20 Check, Door	R 68630-04010	#2	65.96
	L 68640-04010	#2	65.96
#w/Trim Panel Removed			
21 Cover, Door Check	R 68621-33010		4.74
	L 68622-33010		0.00

GLASS & PARTS

Illustration Located in Next Column

1 Glass, Door Toyota Gray Privacy	R 68113-04030	1.2	70.93
	L 68114-04030	1.2	71.09
Green	R 68113-04020	1.2	64.00
	L 68114-04020	1.2	64.00
NAGS Gray Privacy	R/L FD21094-5YPN	1.2	521.70
Green	R/L FD21092-3GTN	1.2	510.50

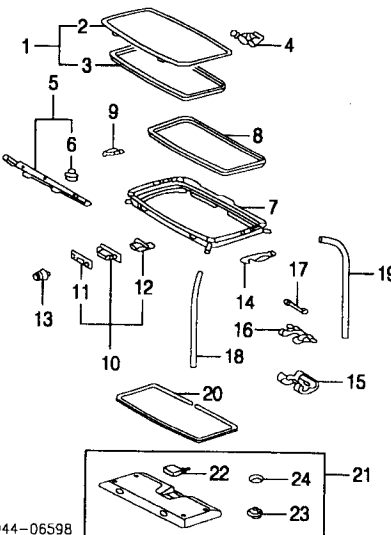


044-06597

2 Run, Upper Glass	R 68142-35030	#3	87.08
	L 68152-35030	#3	87.08
#w/Glass Removed			
3 Frame, Front Upr Glass	R/L 67421-35020		3.17
4 Channel, Front Glass	R 67405-04010		37.24
	L 67406-04010		37.24
5 Run, Front Channel	R/L 68144-04010		10.83
6 Channel, Rear Glass	R 67407-04010		46.70
	L 67408-04010		46.70
7 Run, Rear Channel	R/L 68145-04010		10.35
8 Channel, Lower	R/L 68905-04010		15.75
9 Filler, Lwr Channel	R/L 68975-12010		7.74
10 Regulator, Window Manual	R 68830-04010	#8	62.37
	L 68840-04010	#8	62.37
Power	R 68803-35060	#1.0	67.86
	L 68804-35060	#1.0	67.86
#w/Glass Removed Deduct .6			
11 Handle, Regulator Charcoal	R/L 69260-04020-B3		12.99
	L 69260-04020-E1		12.99
12 Bezel, Regulator Handle	R 69268-20020		1.40
13 Motor, Regulator	R 85720-35130	#1.0	254.93
	L 85710-35170	#1.0	254.93
#Includes R&R Regulator, w/Glass Removed Deduct .6			

SUNROOF

OH Sunroof Assy 3.0
 NOTE: All Parts in this section are included in overhaul unless noted otherwise.

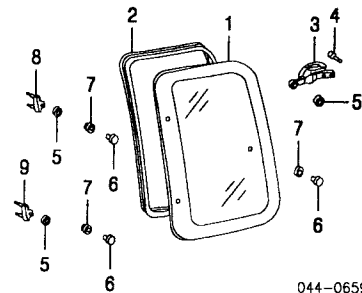


044-06598

1 Glass Assy, Sunroof Double Cab	63201-35070	.5	1616.11
 Xtra Cab-Serviced by Components			
2 Glass, Sunroof Xtra Cab	63201-35031	.5	764.35
 Double Cab-Serviced w/Sunroof Glass Assy			
3 Weatherstrip, Glass Xtra Cab	63252-35010	.7	18.51
Double Cab	63251-35060	.7	27.71
 Included w/Sunroof Glass Assy			
4 Handle, Sunroof			

Charcoal	63260-35040-B2	106.63
Oak	63260-35040-E0	106.63
5 Deflector Assy Xtra Cab	63209-35010	.4 99.71
Double Cab	63209-89102	.4 159.96
6 Clip, Deflector Xtra Cab	R/L 63227-17010	2.11
 Included w/Deflector Assy		
7 Frame, Sunroof Xtra Cab	63203-04020	1.0 245.76
Double Cab	63203-35030	1.0 239.75
8 W/Strip, Frame Double Cab	63252-35030	27.71
9 Brkt, Side Mounting Xtra Cab	R/L 63243-35021	6.17
Double Cab	R/L 63243-35050	6.12
10 Hinge Assy, Sunroof	R 63273-17040	27.06
	L 63274-17040	27.06
11 Seal, Hinge	R/L 63278-12010	2.31
12 Holder, Hinge	R 63275-17010	2.94
	L 63276-17010	2.94
 Included w/Sunroof Hinge Assy		
13 Bolt, Hinge Case (2/Side)	R/L 63297-12010	1.94
14 Catch, Auxiliary	L 63280-89101	18.75
15 Trim, Sunroof Lock Charcoal	63271-16010-B3	21.86
Oak	63271-16010-E0	10.86
16 Base, Lock Base	63250-17011	84.57
17 Spacer, Lock Base	63277-89101	5.17
 As Required		
18 Hose, Front Drain Xtra Cab	R/L 63249-35020	14.43
Double Cab	R/L 63249-35120	14.55
19 Hose, Rear Drain Xtra Cab	R/L 63249-35030	13.83
Double Cab	R/L 63249-35120	12.92
20 Welt, Sunroof Charcoal	63393-35010-B1	32.50
Oak	63393-35010-E0	32.50
21 Sunshade Assy Charcoal	63306-35050-B2	1.5 328.09
Oak	63306-35050-E0	1.5 328.09
22 Lock, Sunshade	63330-18010	81.08
23 Handle, Lock Charcoal	64251-16010-B3	15.23
Oak	64251-16010-E0	15.23
24 Spacer, Lock	63338-12010	20.86
 Included w/Sunshade Assy		

QUARTER GLASS



044-06599

1 Glass, Quarter Toyota Gray Privacy	R 62711-04070	1.0	64.26
	L 62712-04070	1.0	64.26
Green	R 62711-04060	1.0	58.65
	L 62712-04060	1.0	58.65
NAGS Gray Privacy	R/L FQ21098-9PPY	1.0	661.65
Green	R/L FQ21096-7GTY	1.0	522.85
2 Weatherstrip, Glass	R 62741-35010	#1.0	13.87
	L 62742-35010	#1.0	13.87
#Includes R&R Glass			
3 Latch, Glass Charcoal	R/L 62910-35031-B0	.4	26.44
Oak	R/L 62910-35031-E0	.4	26.44
4 Screw, Latch (2/Side)	R/L 91611-60618		.97
5 Washer, Inr Glass (3/Side)	R/L 90202-11001		.78
6 Retainer, Glass (3/Side)	R/L 62735-35010		6.03
7 Washer, Otr Glass (3/Side)	R/L 90386-11013		1.32
8 Hinge, Upper Glass	R/L 62731-89101-2	#1.0	8.37
9 Hinge, Lower Glass	R/L 62731-89101-2	#1.0	8.37
#Includes R&R Glass & Weatherstrip			

BACK WINDOW

Use Procedure Explanation 19 with the following text.

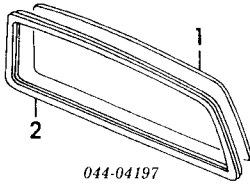
STATIONARY

R&I Back Glass	1.0
----------------	-----

TOYOTA TACOMA 2001-02

BACK WINDOW Cont'd

STATIONARY Cont'd

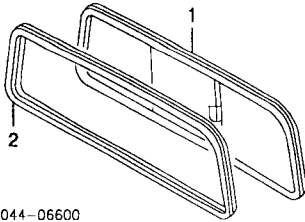


044-04197

1 Glass, Back			
Toyota	64811-AD020-B3	1.0	141.25
NAGS	FB05475GTN	1.0	492.25
2 Weatherstrip, Glass	64812-AD010	#1.0	27.54
<i>#Included in R&R&R Back Glass</i>			

SLIDING

R&I Sliding Window.....	1.0
-------------------------	-----



044-06600

1 Window, Sliding			
Toyota			
Gray Privacy	01 64810-04051	1.0	346.85
	02 64810-04051	1.0	346.85
Green	01 64810-04040	1.0	326.72
	02 64810-04040	1.0	326.72
NAGS			
Green	FB21100GTY	1.0	901.35
Gray Privacy	FB21101YPY	1.0	962.80
2 Weatherstrip, Window	64812-04040	#1.0	25.95
<i>#Included in R&R&R Back Glass</i>			

PICKUP BED

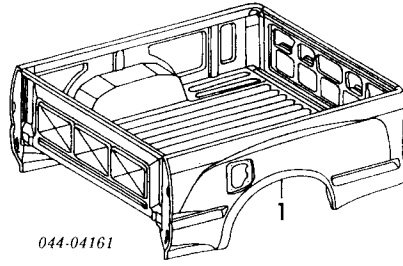
Use Procedure Explanations 21 and 28 with the following text.

SHEET METAL STD BED

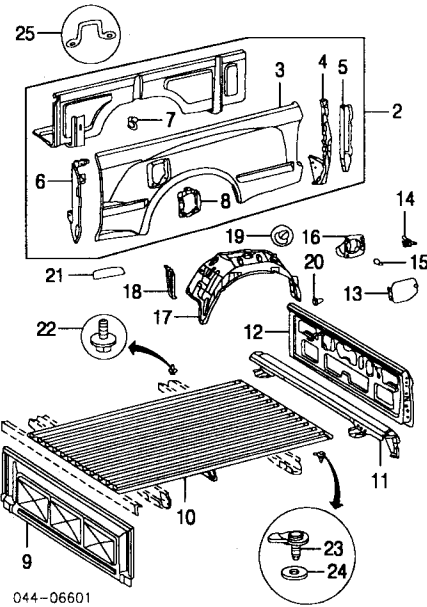
Refinish Bed Assy.....	#8.5
<i>#Includes Refinish Floor & Inside Panels</i>	
Refinish Side Panel	
Regular Cab, Xtra Cab	
Outside.....	R/L 3.4
Inside.....	R/L 1.4
Double Cab	
Outside.....	R/L 3.2
Inside.....	R/L 1.3
Refinish Bed Front Panel Complete.....	2.2
Refinish Bed Front Panel Inside Only.....	1.1
Refinish Front Post.....	R/L .8
Refinish Rear Post.....	R/L .5
Refinish Rear Plate.....	R/L .5
Refinish Floor Panel (Complete).....	#4.2
<i>#Includes Refinish Rear Bed Sill</i>	
Refinish Rear Bed Sill.....	1.0
Refinish Fuel Door.....	.4
Add to R&R Bed Assy	
w/Mudguards.....	.4
w/Wheel Opening Flares.....	.6
w/Wheel Opening Mldgs.....	.6
Add to R&R Side Panel Assy	
w/Mudguards.....	R/L 2
w/Wheel Opening Flares.....	R/L .3
w/Wheel Opening Mldgs.....	R/L .3
R&I Bed Assy.....	2.5

Illustration Located in Next Column

1 Bed Assy, Complete			
Regular Cab, Xtra Cab			
w/Wheel Opening Flares	66000-04130	4.0	4069.51
w/o Wheel Opg Flares	66000-04080	4.0	2479.10
Double Cab	66000-04090	4.0	4069.51
2 Panel Assy, Bed Side[]			
Regular Cab, Xtra Cab			
w/Wheel Opening Flares	R 65500-04320	#12.5	714.02



044-04161



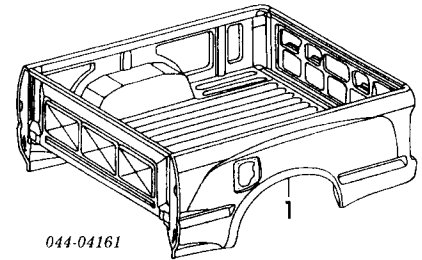
044-06601

w/o Wheel Opg Flares	L 65600-04280	#13.0	714.02
	R 65500-04050	#12.5	709.27
	L 65600-04050	#13.0	709.27
Double Cab	R 65500-04310	#12.5	630.33
	L 65600-04270	#13.0	630.33
3 Panel, Outer Side[] (a)			
Regular Cab, Xtra Cab			
w/Wheel Opening Flares	R 65816-04080	#10.7	276.99
	L 65817-04080	#11.2	276.99
w/o Wheel Opg Flares	R 65816-04030	#10.7	276.99
	L 65817-04030	#11.2	271.94
Double Cab	R 65816-04070	#10.7	198.46
	L 65817-04070	#11.2	198.46
<i>#Includes R&I Bed Assy</i>			
4 Post, Rear[] (a)			
Regular Cab, Xtra Cab	R 65505-04030	2.5	144.50
	L 65506-04030	2.5	144.81
Double Cab	R 65505-04060	2.5	149.21
	L 65506-04060	2.5	149.21
5 Plate, Rear Post[] (a)			
Regular Cab, Xtra Cab	R 65593-04010	1.5	24.38
	L 65594-04010	1.5	24.38
6 Post, Front[] (a)			
Regular Cab, Xtra Cab	R 65503-04010	#2.0	42.58
	L 65504-04010	#2.0	42.58
Double Cab	R 65503-04030	#2.0	58.36
	L 65504-04030	#2.0	58.36
<i>#w/Bed Assy Removed</i>			
7 Bkt, Whitse Seal[] (a)	R/L 65655-89103		4.52
8 Support, Fuel Filler[] (a)	L 61709-04020		12.75
<i>(a) Included w/Bed Side Panel Assy</i>			
9 Panel, Front Bed[]			
Regular Cab, Xtra Cab	65405-04010	#3.0	200.32
Double Cab	65405-04020	#3.0	251.59
<i>#w/Bed Assy Removed</i>			
10 Panel, Bed Floor[]			
Regular Cab, Xtra Cab	65311-89128		438.50
Double Cab	65311-04070		350.19
11 Sill, Rear Bed[]			
Regular Cab, Xtra Cab	65240-04090	#5.5	181.08
Double Cab	65240-04090	#5.5	181.08
<i>#Includes R&I Tailgate</i>			
12 Shell, Tailgate[] See Tailgate Section			
<i>(Included w/Complete Bed Assy)</i>			
13 Door, Fuel	L 77305-04040	.3	20.12
14 Spring, Fuel Door	L 77366-35030		.54
15 Bumper, Fuel Door (2)	L 90541-06018		4.25
16 Housing Assy, Filler- See Fuel Tank Section			
17 Liner, Wheelhouse	R 65637-04020	.3	55.84
	L 65638-04020	.3	55.84
18 Brace, Front Liner			
Regular Cab, Xtra Cab	R 65671-04030	23.15	
	L 65672-04030	23.15	
19 Clip, Liner (3/Side)	R/L 90467-09118		1.09

20 Grommet, Liner (8/Side)	R/L 90189-06157		63
21 Protector, Wheel Extension			
Xtra Cab	R 58741-04010		17.32
	L 58742-04010		17.32
22 Bolt, Body (2/Side)	R/L 90119-12254		1.60
23 Bolt, Rear Body	R/L 64189-35030		5.89
24 Washer, Rear Bolt	R/L 90201-12061		2.44
25 Hook, Tie-Down (2/Side)	R/L 66312-35010		7.86

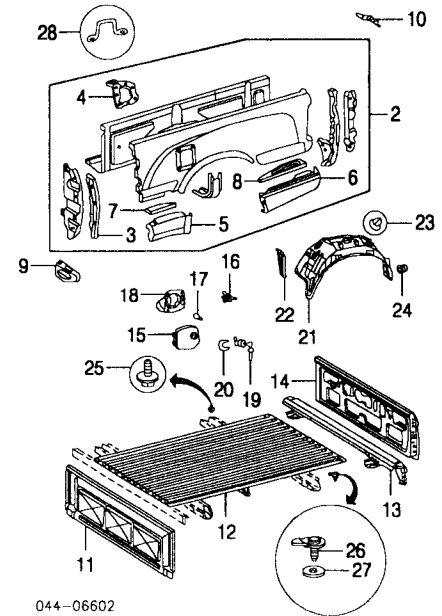
SHEET METAL STEPSIDE BED

Refinish Bed Assy.....	#8.5
<i>#Includes Refinish Floor & Inside Panels</i>	
Refinish Side Panel	
Outside.....	R/L 3.4
Inside.....	R/L 1.4
Refinish Front Panel Skirt.....	R/L 1.0
Refinish Rear Panel Skirt.....	R/L 1.0
Refinish Bed Front Panel Complete.....	2.2
Refinish Bed Front Panel Inside Only.....	1.1
Refinish Floor Panel (Complete).....	#4.2
<i>#Includes Refinish Rear Bed Sill</i>	
Refinish Rear Bed Sill.....	1.0
Refinish Fuel Door.....	.4
<i>#Included in Refinish Left Side Panel</i>	
Add to R&R Bed Assy	
w/Mudguards.....	.4
w/Wheel Opening Flares.....	.6
w/Wheel Opening Mldgs.....	.6
Add to R&R Side Panel Assy	
w/Mudguards.....	R/L .2
w/Wheel Opening Flares.....	R/L .3
w/Wheel Opening Mldgs.....	R/L .3
R&I Bed Assy.....	2.5



044-04161

1 Bed Assy, Complete	66000-04150	4.0	3974.71
-----------------------------	-------------	-----	---------



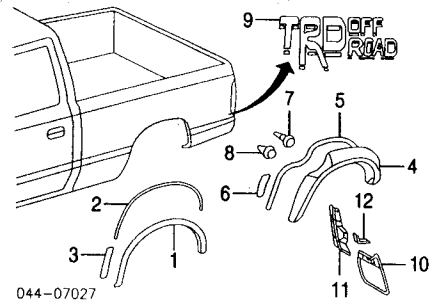
044-06602

2 Panel Assy, Bed Side[]	R 65500-04340	#12.5	714.02
	L 65600-04300	#13.0	714.02
<i>#Includes R&I Bed Assy</i>			
3 Cover, Side Panel[] (a)	R 65549-04900		54.16
	L 65649-04900		54.16
4 Support, Fuel Filler[] (a)	L 61709-04030		12.72
5 Skirt, Front Panel[] (a)	R 66403-04010	#2.0	67.22
	L 66404-04010	#2.0	67.22
<i>#Does Not Include Set Back or R&I Bed Assy</i>			
6 Skirt, Rear Panel[] (a)	R 65607-04010	#3.0	83.94
	L 65608-04010	#3.0	83.94
<i>#Does Not Include R&I Bumper Assy</i>			
7 Pad, Front Step[] (a)	R 66425-04070	.3	28.47
	L 66426-04010	.3	28.47

8 Pad, Rear Step	(a) R 66435-04010 L 66436-04010	.3	40.21
(a) Included w/Bed Side Panel Assy			
9 Brace, Front Step	R 66423-04020 L 66424-04010		12.69
10 Brkt, Rear Step	R 66437-04010 L 66438-04010		15.89
11 Panel, Front Bed	66405-04030	#3.0	201.66
#w/Bed Assy Removed			
12 Panel, Bed Floor	65311-89128		438.50
13 Sil, Rear Bed	65240-04130	#5.5	168.16
#Includes R&I Tailgate			
14 Shell, Tailgate-See Tailgate Section #Included w/Complete Bed Assy			
15 Door, Fuel	L 77305-04050	.3	24.44
16 Spring, Fuel Door	L 77366-35030		.54
17 Bumper, Fuel Door (2)	L 90541-06018		4.25
18 Housing Assy, Filler-See Fuel Tank Section			
19 Cylinder, Lock	69058-35140	.2	46.34
#Included w/Complete Lock Set-listed in Steering Wheel/Column Section			
20 Retainer, Lock Cylinder	69581-13010		1.40
21 Liner, Wheelhouse	R 65637-04020 L 65638-04020	.3	55.84
22 Brace, Front Liner	R 65671-04030 L 65672-04030	.3	55.84
23 Clip, Liner (3/Side)	R/L 90467-09118		23.15
24 Grommet, Liner (8/Side)	R/L 90189-06157		1.09
25 Bolt, Body (2/Side)	R/L 90119-12254		.63
26 Bolt, Rear Body	R/L 64189-35030		1.60
27 Washer, Rear Bolt	R/L 90201-12061		5.89
28 Hook, Tie-Down (2/Side)	R/L 66312-35010		2.44
			7.86

EXTERIOR TRIM

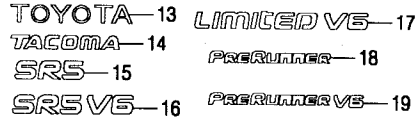
Refinish Wheel Opening Flare	R/L	.7
Refinish Wheel Opening Midg.	R/L	.5
R&I Wheel Opening Flare	R/L	.4
R&I Wheel Opening Midg.	R/L	.4
R&I Mudguard	R/L	.2



1 Midg, Wheel Opening	2WD		
Black			
Std Bed	R 75873-35900 L 75874-35900	.4	242.30
Stepside Bed	R 75873-35901 L 75874-35901	.4	242.30
Paint to Match			
Std Bed	R 75873-35900 L 75874-35900	.4	242.30
Stepside Bed	R 75873-35901 L 75874-35901	.4	242.30
4WD			
Black	R 75873-35901 L 75874-35901	.4	242.30
Paint to Match	R 75873-35901 L 75874-35901	.4	242.30
2 Seal, Moulding	R/L 75696-35020		14.18
3 Pad, Moulding	R 75688-35010 L 75687-35010		3.57
4 Flare, Wheel Opening	Black	R 75873-04010 L 75874-04010	.4
Paint to Match	R 75873-04010 L 75874-04010	.4	221.46
5 Seal, Flare	R 61783-35071 L 61783-35091		12.95
6 Protector, Flare	R 58741-04020 L 58742-04020		9.92
13.60			
7 Blue (2/Side)	R/L 90904-67036		1.06
8 Red (5/Side)	R/L 90904-67037		1.06
9 Decal, "TRD Off Road"	R/L FT1211-T1980-28	.4	31.47
10 Mudguard			
w/Wheel Opening Flares	R 76625-04080 L 76626-04080	.2	67.59
w/o Wheel Opng Flares	R 76625-04060 L 76626-04060	.2	58.64
#Order by Application			
11 Support, Mudguard	2WD		
w/PreRunner Model			
Std Bed	R 76647-04040 L 76648-04040		22.35
Stepside Bed	R 76647-04030 L 76648-04030		18.58
4WD	R 76647-04040 L 76648-04040		22.35
22.35			
12 Bracket, Mudguard	R 76645-04010 L 76646-04010		7.92
			7.92

TAILGATE

Refinish Tailgate Complete	2.3
Refinish Outside	2.0
Refinish Inside (Only)	1.0
Refinish Hinge	R/L .2
R&I Tailgate Assy	.4



1 Shell, Tailgate	Std Bed 65700-04030 Stepside Bed 65700-04040	1.3	284.52
#Included w/Complete Bed Assy			
2 Panel, Tailgate Service	Std Bed 65759-89000 Stepside Bed 65759-04050	.3	24.19
3 Handle Assy, Tailgate	69090-35010	#2	62.16
#w/Service Panel Removed			
4 Snap, Lock Link (2)	69759-20110		1.83
5 Bumper, Rubber (2)	90541-04014		.66
#Included w/Tailgate Handle Assy			
6 Latch, Tailgate	Std Bed R 65780-35020 Stepside Bed L 65790-35020 R 65780-04010 L 65790-04010	#2	32.84
#w/Service Panel Removed			
7 Clip, Latch Rod	R/L 90080-46184		.57
8 Striker, Tailgate	R/L 65768-35020	.2	6.03
9 Stop, Tailgate	R/L 65737-35030		1.09
10 Bumper, Tailgate	R/L 66321-04020		1.17
11 Stay, Tailgate	R/L 65770-04030		9.75
12 Hinge, Tailgate	R 66110-89108 L 66120-89102	#2	26.29
		#2	23.89
#w/Tailgate Removed			
Nameplate (Adhesive)			
13 "TOYOTA"	N.A.	.2	0.00
14 "TACOMA"	N.A.	.2	0.00
15 "SRS"	N.A.	.2	0.00
16 "SRS V6"	N.A.	.2	0.00
17 "LIMITED V6"	N.A.	.2	0.00
18 "PRERUNNER"	N.A.	.2	0.00
19 "PRERUNNER V6"	N.A.	.2	0.00

REAR SUSPENSION

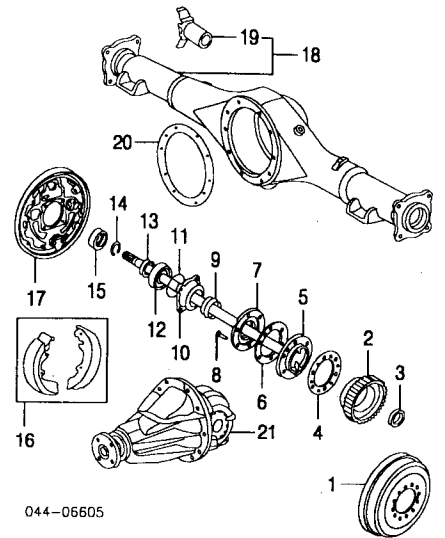
Use Procedure Explanation 23 with the following text.

R&I Suspension/Axle Housing Assy	m	2.5
Check Rear Alignment	m	.8
Add to Adjust Front Alignment	m	.7
Bleed Brake System	m	.3

NOTE: R&I/R&R Does Not include alignment or bleed brake system.

Illustration Located in Next Column

1 Drum, Brake	2WD		
w/PreRunner Model			
Std Bed	R/L 42431-04030	m	#3 120.92
Stepside Bed	R/L 42431-35151	m	#3 111.99
4WD	R/L 42431-04010 R/L 42431-04030	m	#3 111.30
#R&R Both .5			
2 Rotor, Rear ABS Sensor-See ABS/Brakes Section			
3 Retainer, Bearing	w/ABS R/L 42423-20010	m	15.46
4 Gasket, Outer Axle	2WD		
w/PreRunner Model			
Std Bed	R/L 42444-35050	m	.71
Stepside Bed	R/L 42444-35070	m	1.51
4WD	R/L 42444-35050	m	.71
5 Shaft, Axle	2WD		
w/PreRunner Model			



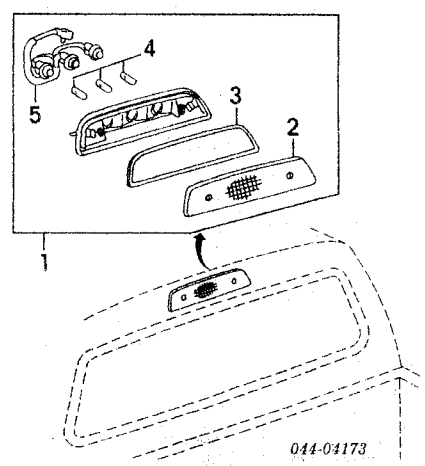
044-06605

w/ABS	R/L 42311-35350	m	#2.0 337.55
w/o ABS	R/L 42311-35340	m	#2.0 337.55
w/o PreRunner Model			
4 Cyl			
w/ABS	R/L 42311-35370	m	#2.0 305.06
w/o ABS	R/L 42311-35360	m	#2.0 305.06
6 Cyl			
w/ABS	R/L 42311-35390	m	#2.0 337.55
w/o ABS	R/L 42311-35380	m	#2.0 337.55
4WD			
w/ABS	R/L 42311-35350	m	#2.0 337.55
w/o ABS	R/L 42311-35340	m	#2.0 337.55
6 Gasket, Oil Deflector	2WD		
w/PreRunner Model			
Std Bed	R/L 42443-55020	m	#2.0 1.11
Stepside Bed	R/L 42443-30010	m	#2.0 1.11
4WD	R/L 42443-55020	m	#2.0 1.11
7 Deflector, Oil	2WD		
w/PreRunner Model			
Std Bed	R/L 42441-35020	m	#2.0 10.46
Stepside Bed	R/L 42441-26010	m	#2.0 6.46
4WD	R/L 42441-35020	m	#2.0 10.46
8 Stud, Wheel	2WD		
w/PreRunner Model (6/Side)			
Std Bed	R/L 90942-02079	m	# 4.43
Stepside Bed	R/L 90942-02049	m	# 2.94
4WD (6/Side)	R/L 90942-02079	m	# 4.43
9 Seal, Outer	R/L 90313-54001	m	#2.0 9.48
10 Case, Bearing	2WD		
w/PreRunner Model			
Std Bed	R/L 42421-35050	m	#2.0 55.84
Stepside Bed	R/L 42421-34010	m	#2.0 54.24
4WD	R/L 42421-35050	m	#2.0 55.84
11 O-Ring, Retainer	R/L 90301-88077	m	#2.0 3.54
12 Bearing, Axle	R/L 90363-40068	m	#2.0 55.40
13 Retainer, Bearing	R/L 42423-20010	m	#2.0 15.46
14 Ring, Snap	R/L 90520-36045	m	#2.0 1.54
15 Seal, Inner	R/L 90310-50001	m	#2.0 4.99
#R&R One Side Complete, Includes R&R Backing Plate R&R			
Both Sides 3.8			
16 Shoe Set, Brake	2WD		
w/PreRunner Model			
Std Bed	04495-35151	m	#1.4 68.07
Stepside Bed	04495-35170	m	#1.4 51.29
4WD	04495-35151	m	#1.4 68.07
#Includes R&R Brake Drums			
17 Plate, Brake Backing	2WD		
w/PreRunner Model			
Std Bed	R 47043-35170	m	#2.0 81.42
Stepside Bed	L 47044-35160	m	#2.0 81.42
4WD	R 47043-35061 L 47044-35051	m	#2.0 75.42
	R 47043-35170 L 47044-35160	m	#2.0 81.42
#R&R Both Sides 3.8			
18 Housing Assy, Rear Axle	2WD		
2.4L Eng			
w/ABS	42110-35580	m	3.8 744.53
w/o ABS	42110-35570	m	3.8 744.53
2.7L Eng			
Regular Cab	42110-35551	m	3.8 845.44
w/ABS	42110-35531	m	3.8 845.44
Xtra Cab, Double Cab	42110-35561	m	3.8 845.44
w/ABS	42110-35541	m	3.8 845.44
3.4L Eng			
PreRunner Model	42110-35761	m	3.8 845.44
w/Diff Lock			
w/o Locking Axle			
w/ABS	42110-35561	m	3.8 845.44
w/o ABS	42110-35541	m	3.8 845.44
S-Runner Model			
w/ABS	42110-35860	m	3.8 820.21
w/o ABS	42110-35850	m	3.8 820.21
4WD			

4WD	02 77001-04160	m #1.8	398.40
	01 77001-04090	m #1.8	380.14
	02 77001-04170	m #1.8	398.40
9 Base, Fuel Pump			
2WD			
w/PreRunner Model	01 77203-04050	m #1.8	57.10
	02 77203-04070	m #1.8	39.75
w/o PreRunner Model	01 77203-04040	m #1.8	52.99
	02 77203-04060	m #1.8	62.16
4WD	01 77203-04050	m #1.8	57.10
	02 77203-04070	m #1.8	39.75
	77169-04010	m #1.8	5.83
10 Gasket, Base			
11 Sender, Fuel			
2WD			
w/PreRunner Model	83320-35560	m #1.8	114.83
w/o PreRunner Model	83320-35580	m #1.8	114.83
4WD	83320-35560	m #1.8	114.83
12 Hose, Fuel Pump	23233-02010		7.57
13 Pump, Fuel	23220-0C010	m #1.8	285.40
#R&R Complete			
14 Cushion, Fuel Pump	23218-0C010		1.74
15 Tube Assy, Evaporator	77018-35110		16.72
16 Gskt, Evap. Tube	77179-26010		1.40
††Included w/Evaporator Tube Assy			
17 Strap Assy, Front Tank			
Regular Cab			
2.4L Eng	77601-35070		40.38
2.7L Eng	77601-35080		40.38
18 Pin, Tank Strap	R/L 90240-08060		2.44
19 Seat, Front Tank	77681-35010		8.63
††Included w/Front Tank Strap Assy			
20 Strap Assy, Rear Tank			
2WD			
w/PreRunner Model	77603-35050		54.59
w/o PreRunner Model	77603-35040		47.96
4WD	77603-35050		54.59
21 Pin, Tank Strap	R/L 90240-08060		2.44
22 Seat, Rear Tank			
2WD			
w/PreRunner Model	77681-35020		7.15
w/o PreRunner Model	77681-35010		8.63
4WD	77681-35020		7.15
††Included w/Rear Tank Strap Assy			
23 Brkt, Protector Tank			
Regular Cab			
2WD			
w/PreRunner Model	77283-35010		27.72
4WD	77283-35010		27.72
24 Protector, Fuel Tank			
2WD			
w/PreRunner Model			
Regular Cab	77161-35220		147.96
Xtra Cab, Double Cab	77606-35040		334.41
w/o PreRunner Model	77161-35210		21.12
4WD			
Regular Cab	77161-35220		147.96
Xtra Cab, Double Cab	77606-35040		334.41
25 Canister, Vapor-See Emission System Section			

2 Lens, License Lamp	R/L 81271-89127	.2	7.53
3 Bulb/Socket Assy	R/L 81275-04010		6.94
4 Bulb (a)	R/L 00234-00194	#2	.54
††Included in R&R Lamp Lens			
5 Socket, Bulb (a)	R/L 90069-09005		2.29
††Included w/License Lamp Assy			
(a) Included w/Bulb/Socket Assy			

HIGH MOUNT STOP LAMP

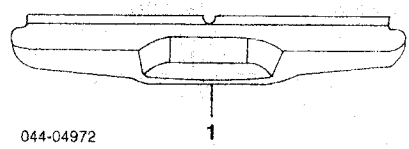


1 Lamp Assy, Stop	81570-04010	#3	75.01
††w/Headliner Removed			
2 Lens, Stop Lamp	81571-04010	.2	10.83
3 Gasket, Lens	81572-04010		5.34
4 Bulb (3)	00234-00192		1.00
5 Harness, Stop Lamp	81576-04010		12.78
††Included w/Stop Lamp Assy			

REAR BUMPER

Use Procedure Explanations 27 and 28 with the following text.

Refinish Rear Bumper	1.0
R&I Bumper Assy	.4

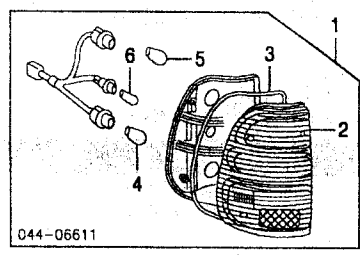


1 Bumper Assy, Rear			
Black	00228-35982-01	.7	224.00
Chrome	00228-35981-13	.7	312.00
Paint to Match	00228-35982-01	.7	224.00
Pad Kit, Step (a)	00228-35956	.3	60.40
††Included w/Rear Bumper Assy			
(a) Kit Includes Both Right & Left Step Pads			

REAR LAMPS

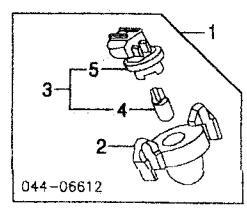
COMBINATION LAMP

R&I Combination Lamp Assy	R/L	2
---------------------------	-----	---



1 Lamp Assy, Combination	R 81550-04060	2	125.07
	L 81560-04060	2	125.07
2 Lens, Combination	R 81551-04060	2	50.02
	L 81561-04060	2	50.02
3 Gasket, Lens	R/L 81552-04060		6.32
4 Bulb, Stop/Tail	R/L 00234-01157	#2	.49
5 Bulb, Signal	R/L 00234-01156	#2	.93
6 Bulb, Back-Up	R/L 90981-11059	#2	3.54
††Included w/Combination Lamp Assy			
#R&R One Side Complete			

LICENSE LAMP



1 Lamp Assy, License	R/L 81270-35110	2	25.49
-----------------------------	-----------------	---	-------